

Distributed by:

JAMECO[®]
ELECTRONICS

www.Jameco.com ♦ 1-800-831-4242

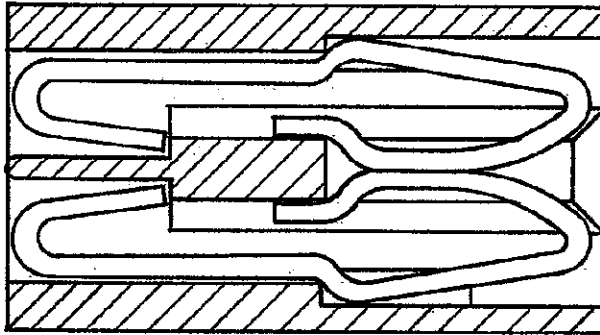
The content and copyrights of the attached
material are the property of its owner.

Jameco Part Number 752481

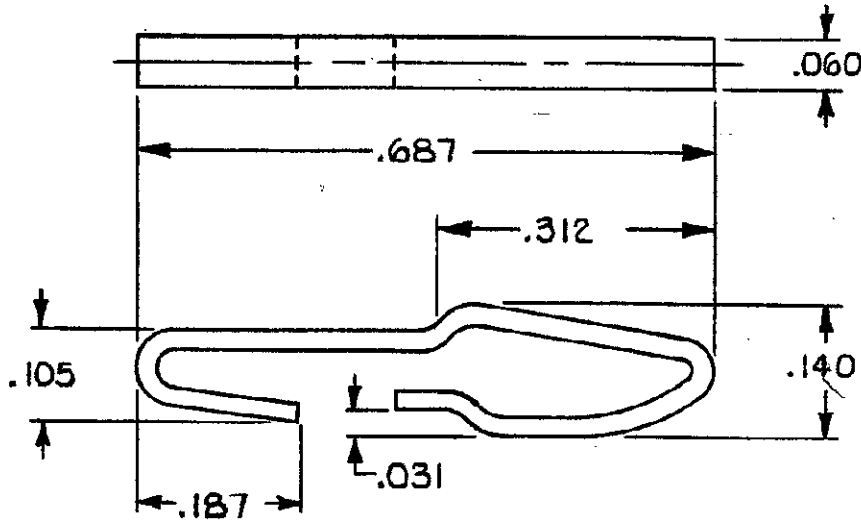
DRAWING MADE IN THIRD ANGLE PROJECTION

LOC FT DIST 22

| REVISIONS | | | | | |
|-----------|---|-----|------------------------|-----------|------------|
| P | F | LTR | DESCRIPTION | DATE | APPROVED |
| ✓ | | G1 | REDRAWN W/O CHANGE | ADO895 | 9/12/85 CP |
| ✓ | | H | REV PER EC 0320-349-97 | 20 NOV 97 | NS |



DIRECTION OF INSERTION IS FROM CARD SLOT SIDE



| | |
|--------------------------|---------|
| .000030 GOLD OVER NICKEL | 42973-3 |
| UNPLATED | 42973-2 |
| NICKEL .000050 THICK | 42973-1 |
| FINISH | PART NO |

THIS DRAWING IS UNPUBLISHED. RELEASED FOR PUBLICATION
 BY AMP INCORPORATED, HARRISBURG, PA. ALL INTERNATIONAL RIGHTS RESERVED. AMP PRODUCTS MAY BE COVERED BY U.S. AND FOREIGN PATENTS AND/OR PATENTS PENDING.
 COPYRIGHT 1985

| | |
|---|------------------------------------|
| UNLESS OTHERWISE SPECIFIED DIMENSIONS ARE IN INCHES. TOLERANCES ON: DECIMALS ±.015 ANGLES ± | CONTRACT NO |
| | DR <i>Craig Pierce 9-13-85</i> |
| MATERIAL STAINLESS STEEL 301 .020 THK. | CHK <i>H.W. Rosa 9/16/85</i> |
| | APPD <i>Howard W. Rosa 9/16/85</i> |
| FINISH SEE TABLE | DSGN APPD |
| | OTHER APPD |

| | | |
|--|-------------------------|----------------------------|
| AMP AMP INCORPORATED Harrisburg, Pa. 17105 | | |
| NAME SPRING, RETAINING, AMP LEAF | | |
| SIZE A | FSCM NO 00779 | DRAWING NO 42973 |
| SCALE 5:1 | SHEET 1 OF 1 | |