

Distributed by:

JAMECO[®]
ELECTRONICS

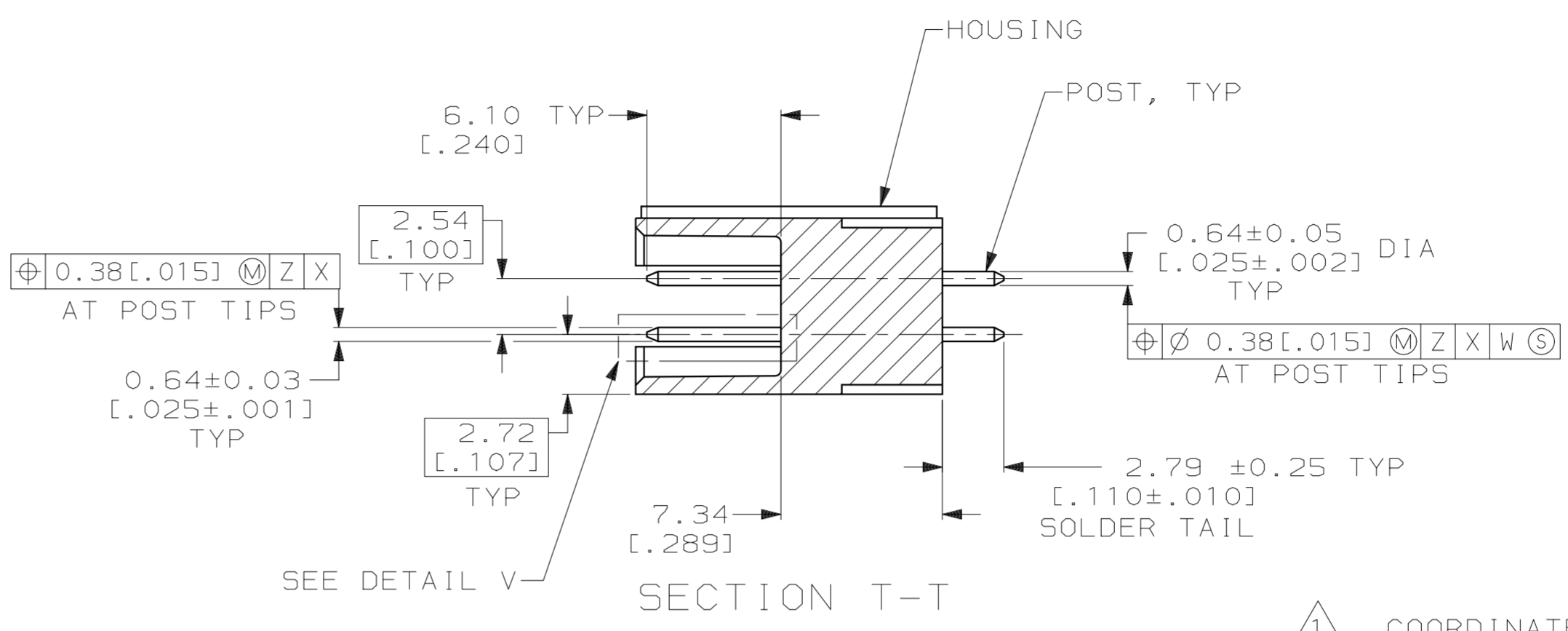
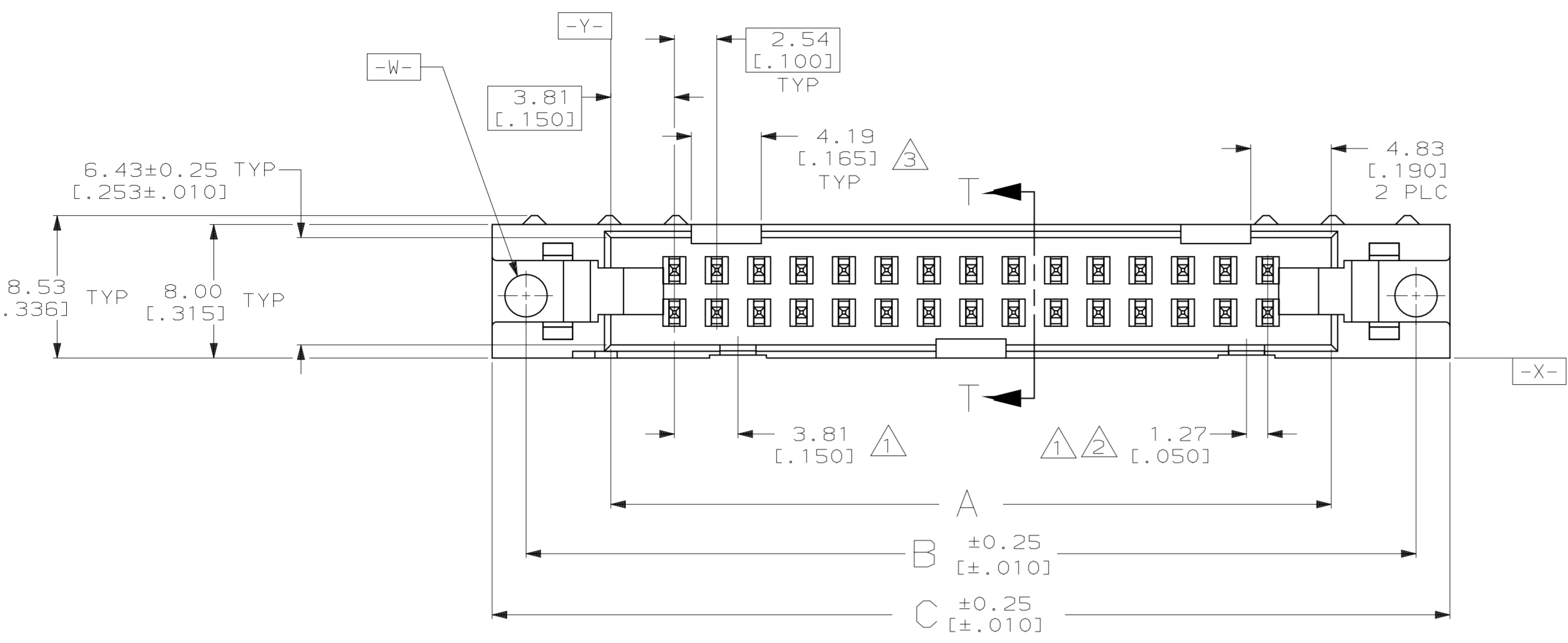
www.Jameco.com ♦ 1-800-831-4242

The content and copyrights of the attached
material are the property of its owner.

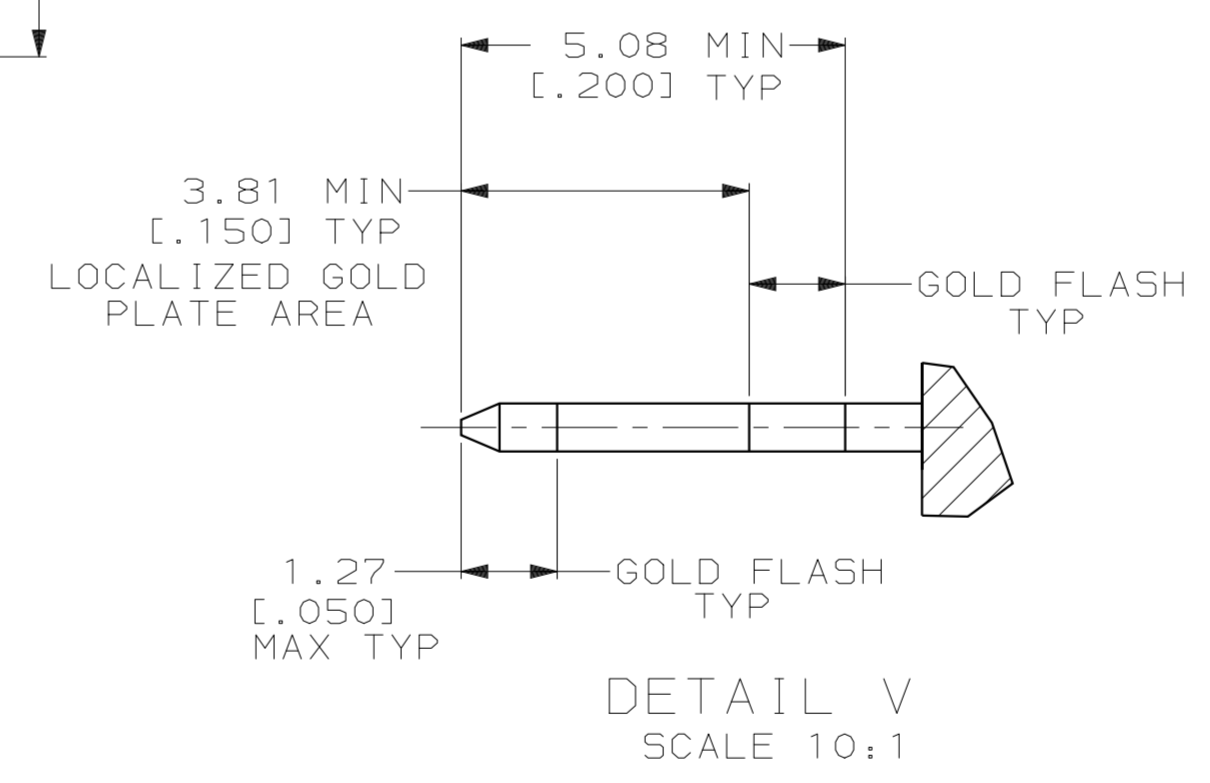
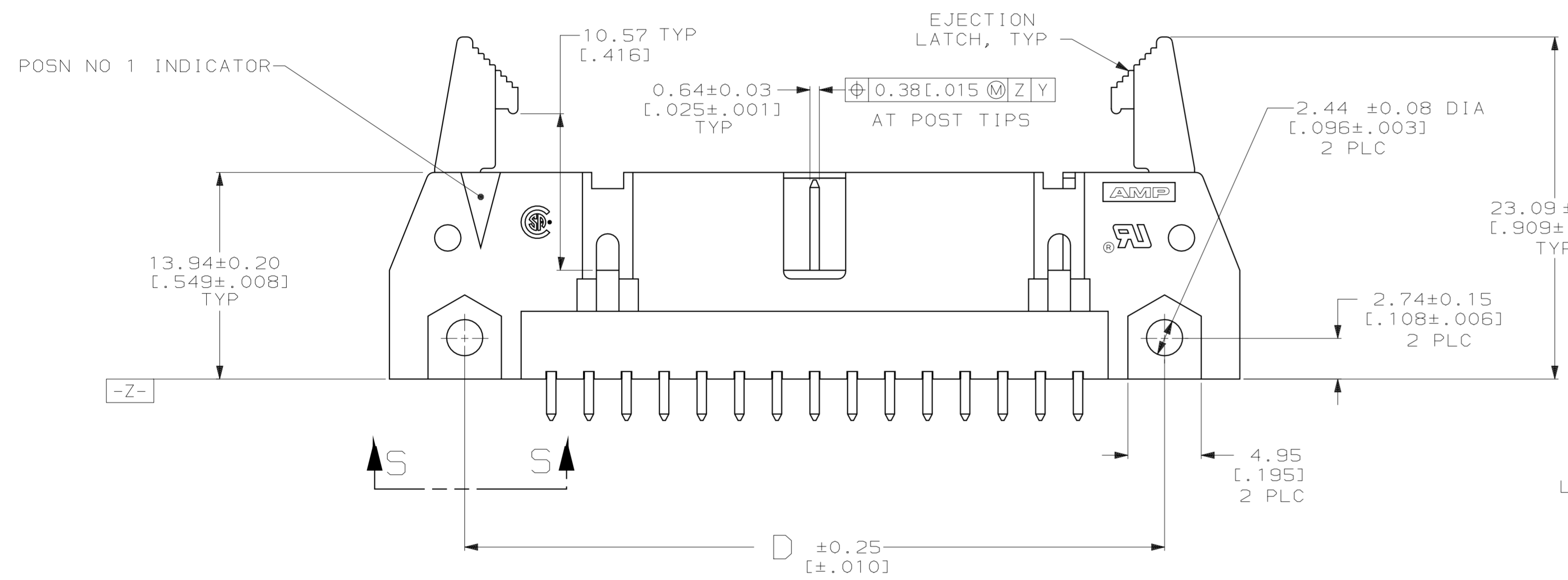
Jameco Part Number 849231

LOC		DIST		P		ZONE		LTR		REVISIONS		
GP	00									DESCRIPTION	DATE	APPD
										G REV PER EC 0513-0347-05	20MAR06	SB

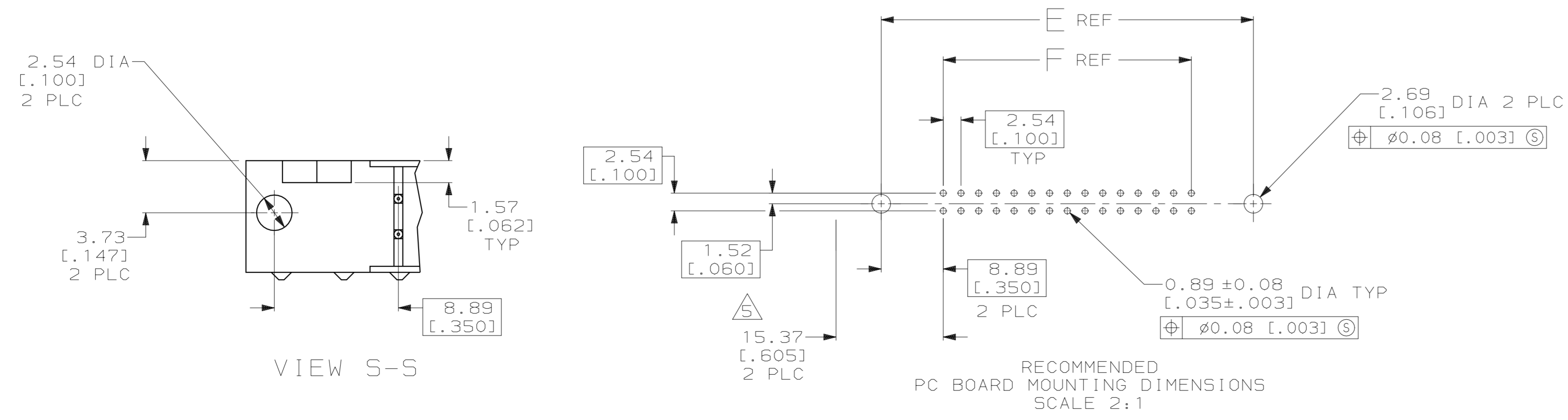
EJECTION LATCHES OMITTED IN THIS VIEW FOR CLARITY



- ① COORDINATE DIMENSION APPLIES FROM BASIC LOCATION.
- ② 10 AND 14 POSITION SIZES CONTAIN ONLY ONE SLOT FOR SNAP-IN POLARIZER (MILITARY POLARIZATION) LOCATED AS SHOWN.
- ③ 10 POSITION SIZES CONTAIN ONLY ONE SLOT FOR DUAL POLARIZATION, LOCATED AS SHOWN.
- 4. RECOMMENDED PRINTED CIRCUIT BOARD THICKNESS IS 1.57 [.062].
- ④ DISTANCE REQUIRED BY EJECTION LATCHES IN THE OPEN POSITION.



OBSOLETE	53.34 [2.100]	71.12 [2.800]	65.02 [2.560]	75.18 [2.960]	71.12 [2.800]	60.96 [2.400]	44	1-499910-3
OBSOLETE	78.74 [3.100]	96.52 [3.800]	90.42 [3.560]	100.58 [3.960]	96.52 [3.800]	86.36 [3.400]	64	1-499910-2
OBSOLETE	73.66 [2.900]	91.44 [3.600]	85.34 [3.360]	95.50 [3.760]	91.44 [3.600]	81.28 [3.200]	60	1-499910-1
	60.96 [2.400]	78.74 [3.100]	72.64 [2.860]	82.80 [3.260]	78.74 [3.100]	68.58 [2.700]	50	1-499910-0
	48.26 [1.900]	66.04 [2.600]	59.94 [2.360]	70.10 [2.760]	66.04 [2.600]	55.88 [2.200]	40	499910-9
	40.64 [1.600]	58.42 [2.300]	52.32 [2.060]	62.48 [2.460]	58.42 [2.300]	48.26 [1.900]	34	499910-8
	35.56 [1.400]	53.34 [2.100]	47.24 [1.860]	57.40 [2.260]	53.34 [2.100]	43.18 [1.700]	30	499910-7
	30.48 [1.200]	48.26 [1.900]	42.16 [1.660]	52.32 [2.060]	48.26 [1.900]	38.10 [1.500]	26	499910-6
	27.94 [1.100]	45.72 [1.800]	39.62 [1.560]	49.78 [1.960]	45.72 [1.800]	35.56 [1.400]	24	499910-5
	22.86 [0.900]	40.64 [1.600]	34.54 [1.360]	44.70 [1.760]	40.64 [1.600]	30.48 [1.200]	20	499910-4
	17.78 [0.700]	35.56 [1.400]	29.46 [1.160]	39.62 [1.560]	35.56 [1.400]	25.40 [1.000]	16	499910-3
	15.24 [0.600]	33.02 [1.300]	26.92 [1.060]	37.08 [1.460]	33.02 [1.300]	22.86 [0.900]	14	499910-2
	10.16 [0.400]	27.94 [1.100]	21.84 [0.860]	32.00 [1.260]	27.94 [1.100]	17.78 [0.700]	10	499910-1
	F	E	D	C	B	A	NO OF POSN	PART NUMBER



DO NOT SCALE PRINT. UNLESS SPECIFIED DIMENSIONS IN mm [INCHES]		TOLERANCES ON:		MATERIAL HOUSING & LATCHES:		FINISH POSTS:		DR 4-23-90 H.MOLL		AMP INCORPORATED Harrisburg, Pa. 17105	
2 PLC DEC	± 0.13 [0.05]	ON:		GLASS FILLED NYLON OR POLYESTER,	94V-0 RATED; BLACK	0.38µm [0.000015] MIN GOLD ON LOCALIZED GOLD PLATE AREA,	2.54µm [0.000100] MIN BRIGHT TIN-LEAD ON SOLDER TAIL, ALL OVER 1.27µm [0.000050] MIN NICKEL ON ENTIRE POST	CHK 11-28-90 R.STONE	NAME		
3 PLC DEC	± -	ANGLES	± -	POSTS: PH BRZ OR BRASS				APPD 11-29-90 S.GOOD	HEADER ASSY, UNIVERSAL, AMP-LATCH		
								APPD 11-29-90 D.HOFFMAN	PRODUCT SPEC		SIZE
									108-40018		CAGE CODE
									APPLICATION SPEC		DRAWING NO
									-		499910
									WEIGHT		SCALE
									-		4:1
											SHEET
											1 OF 1