

Distributed by:

JAMECO[®]
ELECTRONICS

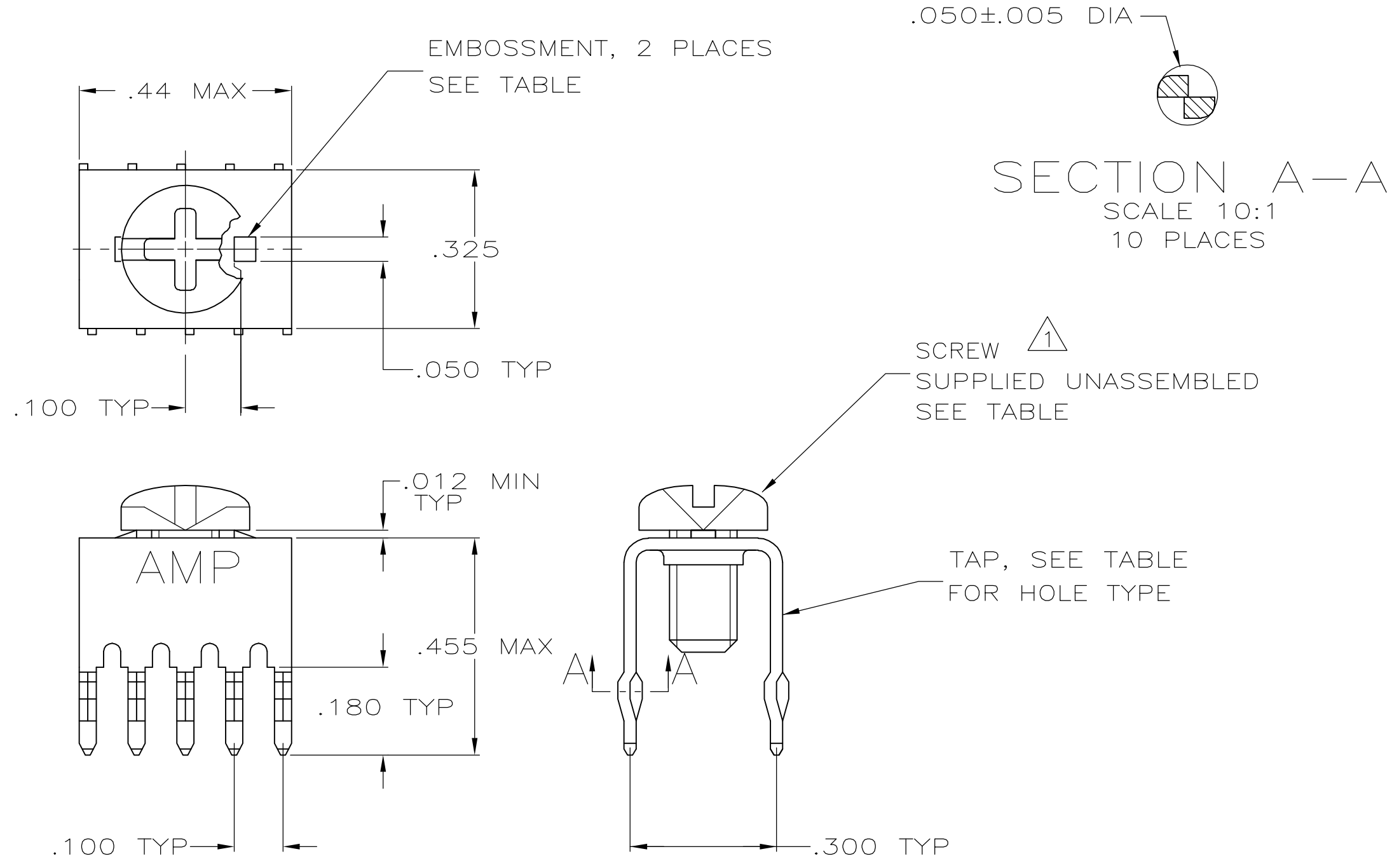
www.Jameco.com ♦ 1-800-831-4242

The content and copyrights of the attached
material are the property of its owner.

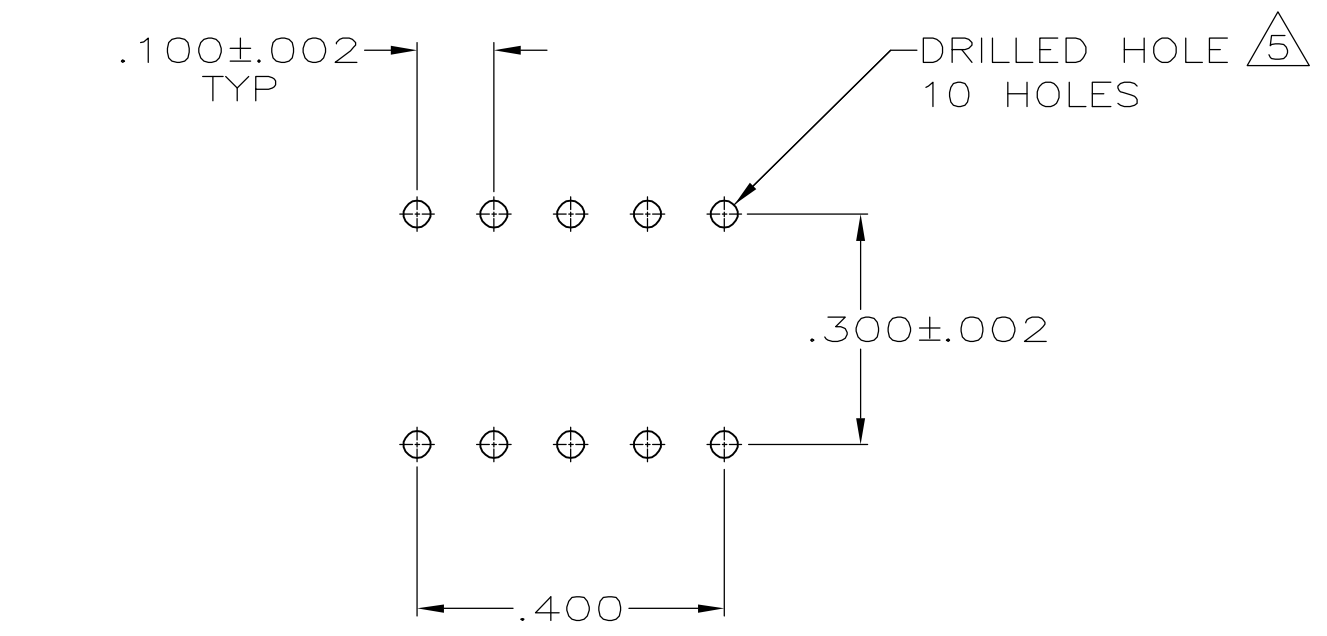
Jameco Part Number 1404963

THIS DRAWING IS UNPUBLISHED. RELEASED FOR PUBLICATION
 © COPYRIGHT BY TYCO ELECTRONICS CORPORATION. ALL RIGHTS RESERVED.

LOC	DIST	REVISIONS			
P	LTR	DESCRIPTION	DATE	DWN	APVD
AA	00	C	ECO-07-006717	22MAR2007	GIP AF



- ¹ TO PREVENT THREAD STRIPPING, SCREW TORQUE SHOULD NOT EXCEED 9 IN LBS.
- ² TAP HOLE IS 6-32UNC-2B, TWO MIN THREADS.
- ³ TAP HOLE IS M4 X 0.7, TWO MIN THREADS.
- ⁴ TAP: .000020-.000120 MATTE TIN OVER .000050 NICKEL.
- ⁵ REFERENCE APPLICATION SPECIFICATION 114-11000 FOR DRILL HOLE SIZES AND FINISHES.



PC BOARD PATTERN

FINISH	HOLE TYPE	SCREW	EMBOSSMENT	PART NUMBER
⁴	³	NO	YES	1-5055558-1
⁴	²	NO	NO	5055558-7
	²	993879-1	YES	5055558-4
	²	NO	YES	5055558-3

THIS DRAWING IS A CONTROLLED DOCUMENT.		DWN J. ALCORTA - 05-04-05 DOCK5	Tyco Electronics Corporation Harrisburg, PA 17105-3608	
DIMENSIONS: INCHES	TOLERANCES UNLESS OTHERWISE SPECIFIED:	CHK A. FRANTUM 05-04-05	NAME S. FLICKINGER 05-04-05	
	0 PLC ± -	APVD S. FLICKINGER 05-04-05	PRODUCT SPEC 108-11030	
	1 PLC ± -		APPLICATION SPEC 114-11000	
MATERIAL COPPER ALLOY 725,	FINISH ⁴	WEIGHT -	SIZE A2	CAGE CODE 00779
		CUSTOMER DRAWING	DRAWING NO C=5055558	RESTRICTED TO -
		SCALE 4:1	SHEET 1 OF 1	REV C

5055558