

Distributed by:

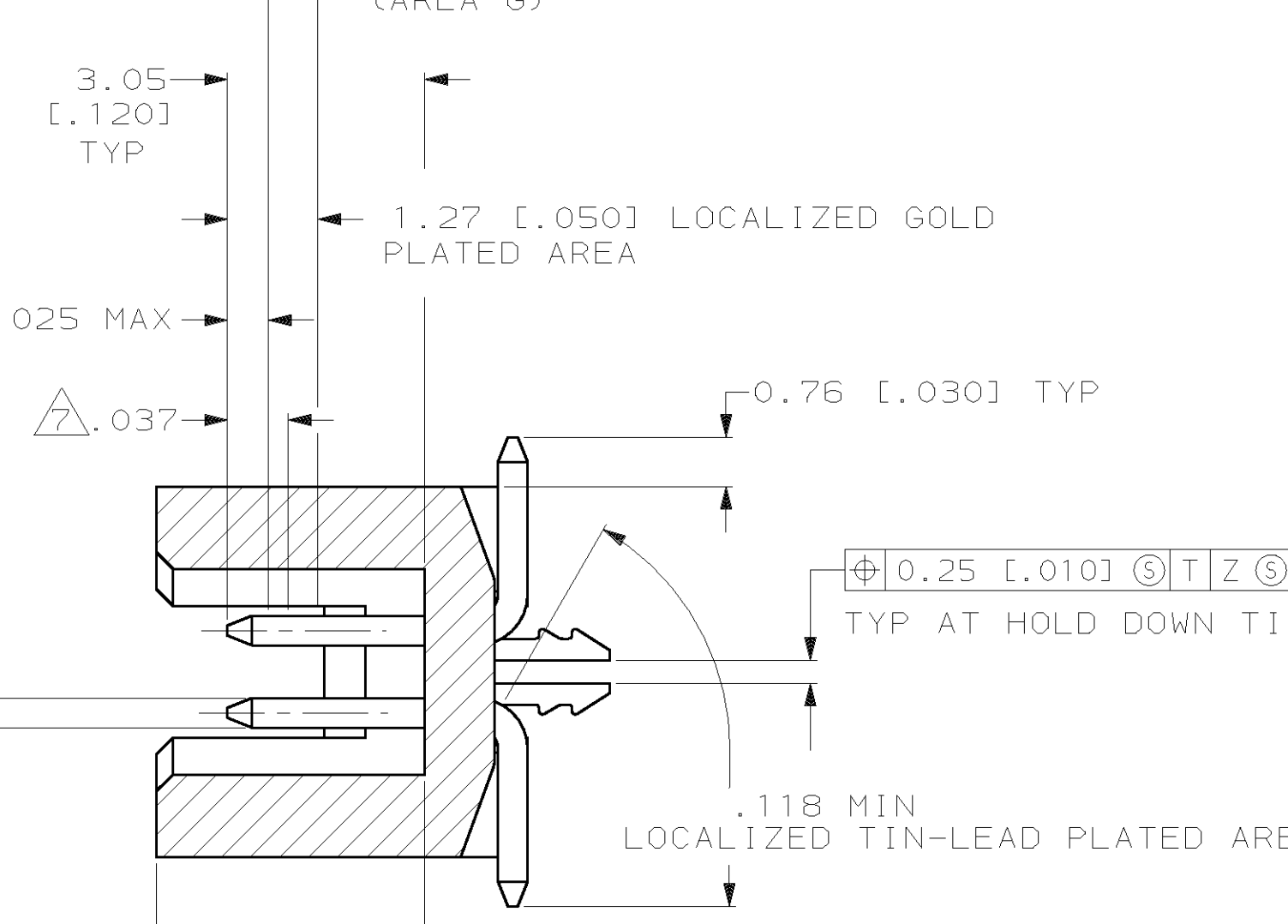
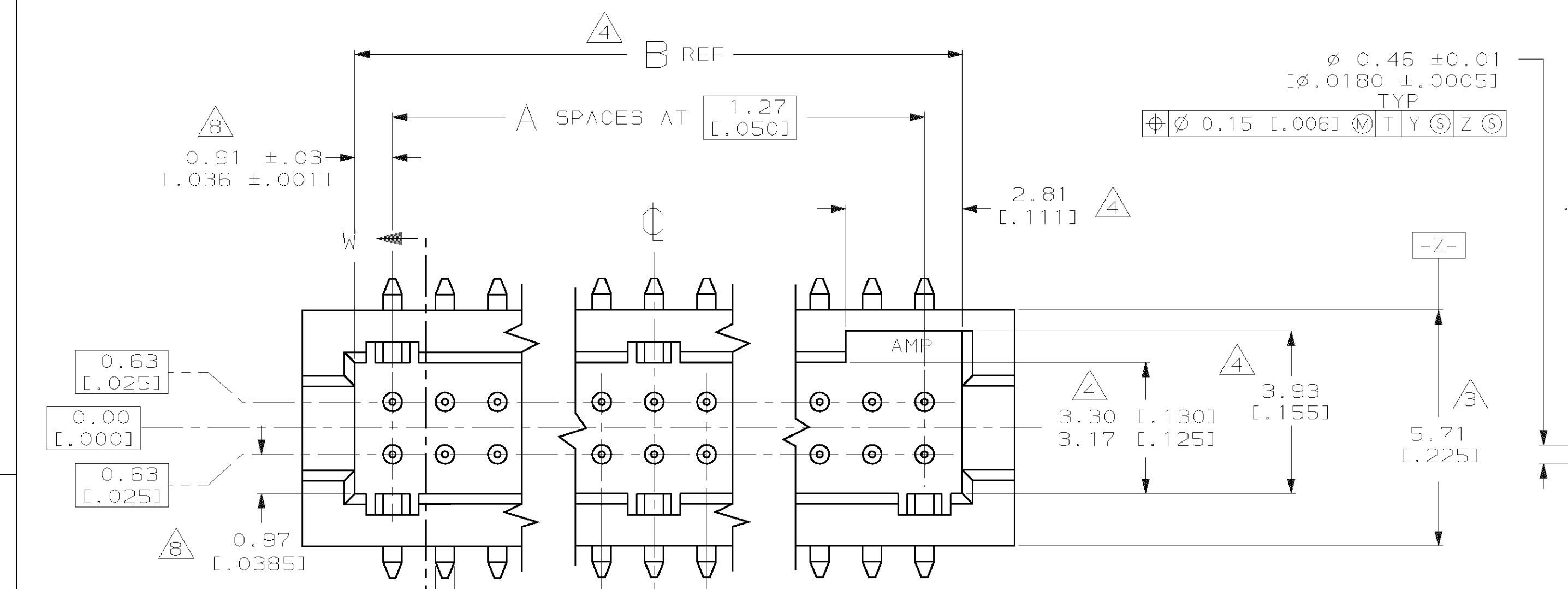
JAMECO[®]
ELECTRONICS

www.Jameco.com ♦ 1-800-831-4242

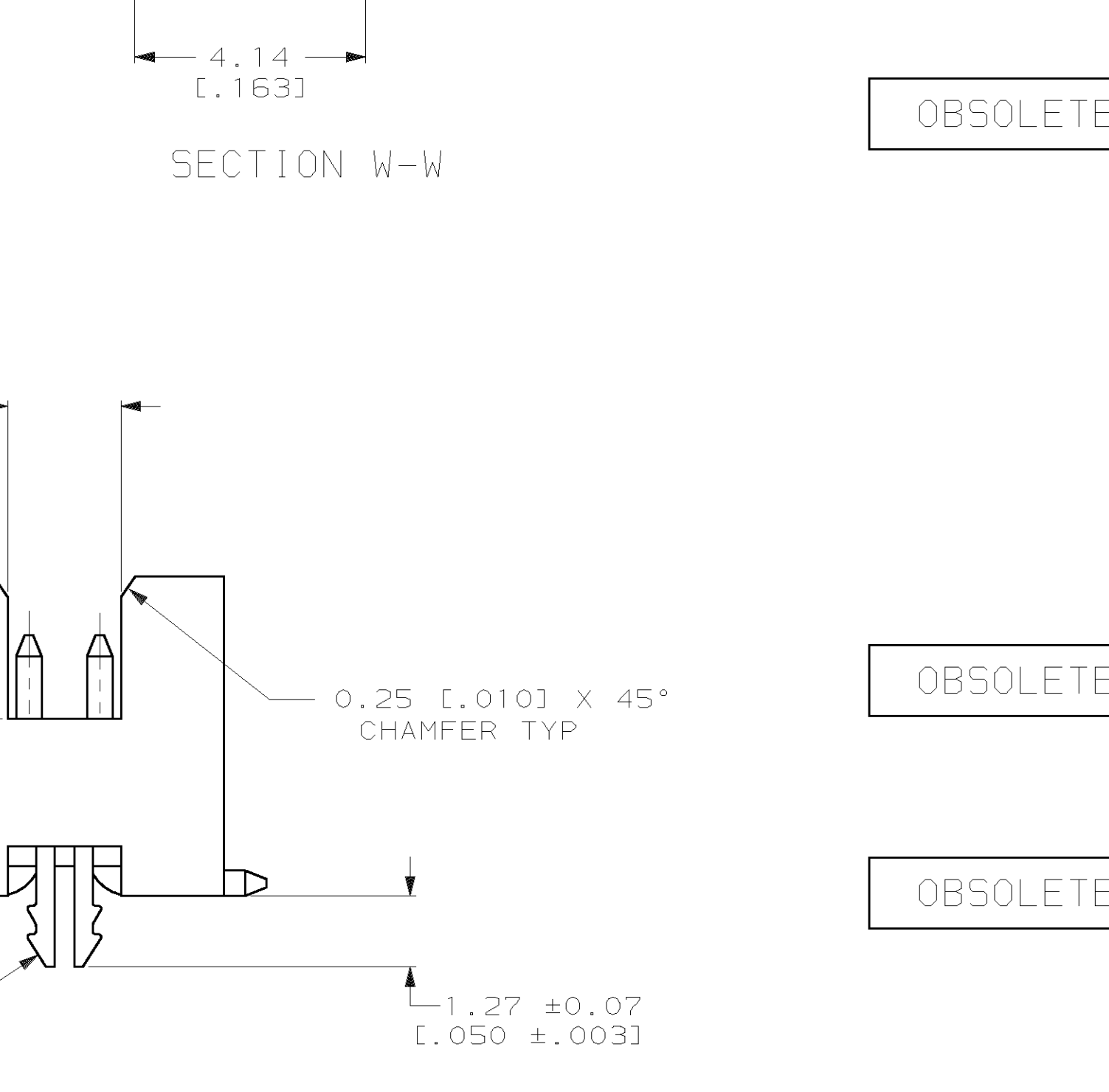
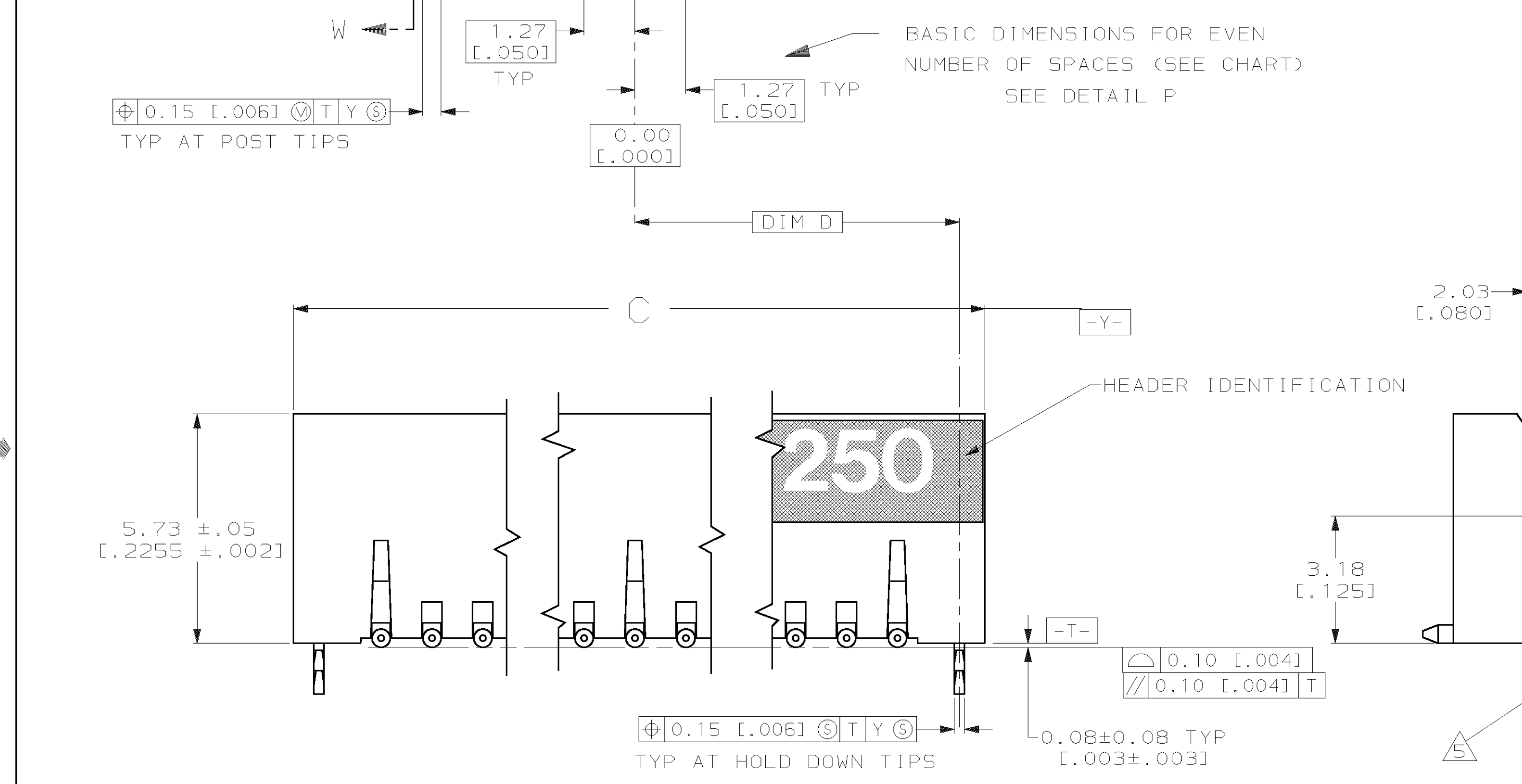
The content and copyrights of the attached
material are the property of its owner.

Jameco Part Number 1972741

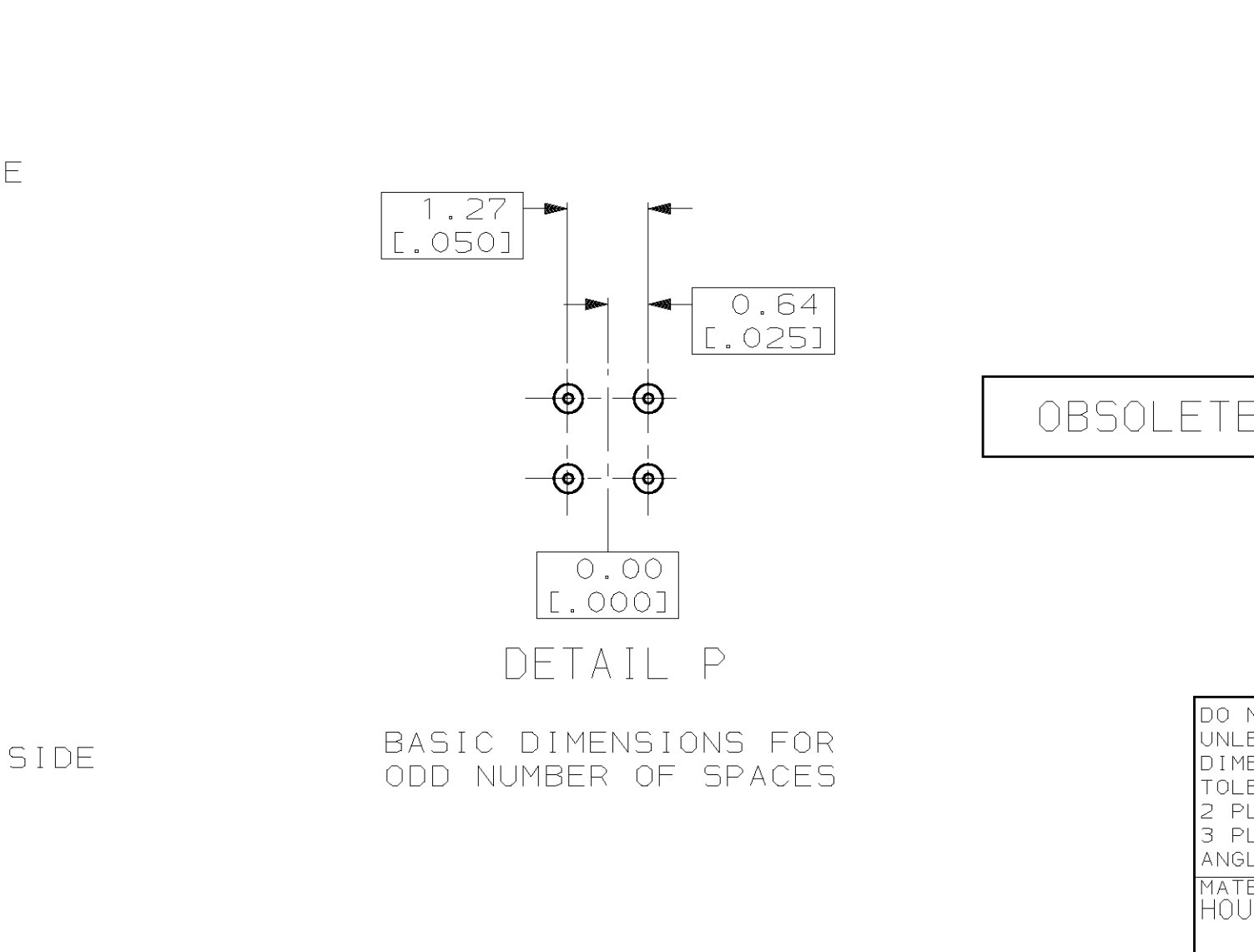
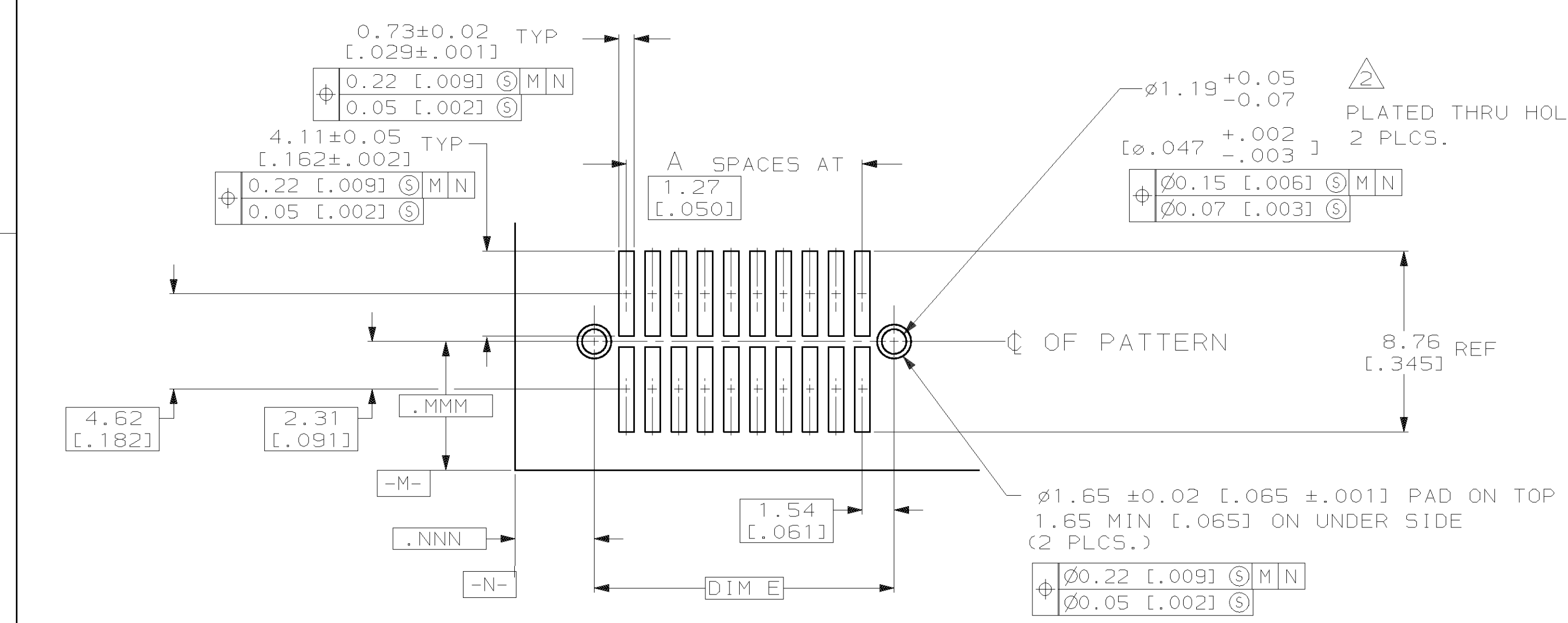
LOC		DIST		REV		REVISIONS		DATE	APPD
AD	39	P	F	ZONE	LTR	DESCRIPTION			
					K	REV PER 063C-0106-02		17JAN02	DS
					L	REV PER EC 063C-673-04		01MAY04	DS



- 1 0.00076[.000030] GOLD AT POINT OF MEASUREMENT, 0.00051[.000020] MIN AT THE END POINTS OF AREA G, (LOCALIZED PLATE AREA), 0.0038[.000150] TIN-LEAD ON LOCALIZED TIN-LEAD PLATED AREA, ALL OVER 0.0013[.000050] NICKEL
- 2 USE 1.32 ± 0.02 [.052 ± 0.001] DRILLED HOLE (#55 DRILL). FINISH TO BE TIN OVER 0.02 [.001] MIN COPPER.
- 3 DIMENSION APPLIES AT BASE OF SHROUD.
- 4 THE NOTED DIMENSIONS APPLY AT THE MATING FACE OF THE HOUSING.
- 5 0.0038 [.000150] TIN-LEAD ON HOLD DOWN, ALL OVER 0.0013 [.000050] NICKEL.
- 6. IF PLANNING TO USE MORE THAN ONE MATING PAIR OF CONNECTORS TO INTERCONNECT 2 BOARDS, PLEASE REFER TO PARA. 3.3 IN THE APPLICATION SPEC, #114-7010
- 7 POINT OF MEASUREMENT
- 8 DIMENSIONS NOTED APPLY FROM THE BASIC DIMENSION LINE (NOT THE CIRCUIT CAVITY CENTER LINE) TO THE SURFACE INDICATED.
- 9 0.00076[.000030] GOLD AT POINT OF MEASUREMENT, 0.00051[.000020] MIN AT THE END POINTS OF AREA G, (LOCALIZED PLATE AREA), 0.0038[.000150] TIN ON LOCALIZED TIN PLATED AREA, ALL OVER 0.0013[.000050] NICKEL



FINISH	E				D				C				B				A				NUMBER OF POSITIONS	PART NUMBER											
	1	2	3	4	1	2	3	4	1	2	3	4	1	2	3	4	1	2	3	4													
OBsolete	65.33 [2.572]	32.66 [1.286]	66.59 [2.622]	64.05 [2.522]	49	100			65.33 [2.572]	32.66 [1.286]	66.59 [2.622]	64.05 [2.522]	49	100			65.33 [2.572]	32.66 [1.286]	66.59 [2.622]	64.05 [2.522]	49	100			65.33 [2.572]	32.66 [1.286]	66.59 [2.622]	64.05 [2.522]	49	100			6-104655-1
OBsolete	58.97 [2.322]	29.48 [1.161]	60.24 [2.372]	57.70 [2.272]	44	90			58.97 [2.322]	29.48 [1.161]	60.24 [2.372]	57.70 [2.272]	44	90			58.97 [2.322]	29.48 [1.161]	60.24 [2.372]	57.70 [2.272]	44	90			58.97 [2.322]	29.48 [1.161]	60.24 [2.372]	57.70 [2.272]	44	90			6-104655-0
OBsolete	52.63 [2.072]	26.31 [1.036]	53.89 [2.122]	51.35 [2.022]	39	80			52.63 [2.072]	26.31 [1.036]	53.89 [2.122]	51.35 [2.022]	39	80			52.63 [2.072]	26.31 [1.036]	53.89 [2.122]	51.35 [2.022]	39	80			52.63 [2.072]	26.31 [1.036]	53.89 [2.122]	51.35 [2.022]	39	80			5-104655-9
OBsolete	46.28 [1.822]	23.13 [0.911]	47.54 [1.872]	45.00 [1.772]	34	70			46.28 [1.822]	23.13 [0.911]	47.54 [1.872]	45.00 [1.772]	34	70			46.28 [1.822]	23.13 [0.911]	47.54 [1.872]	45.00 [1.772]	34	70			46.28 [1.822]	23.13 [0.911]	47.54 [1.872]	45.00 [1.772]	34	70			5-104655-8
OBsolete	39.93 [1.572]	19.96 [0.786]	41.19 [1.622]	38.65 [1.522]	29	60			39.93 [1.572]	19.96 [0.786]	41.19 [1.622]	38.65 [1.522]	29	60			39.93 [1.572]	19.96 [0.786]	41.19 [1.622]	38.65 [1.522]	29	60			39.93 [1.572]	19.96 [0.786]	41.19 [1.622]	38.65 [1.522]	29	60			5-104655-7
OBsolete	33.58 [1.322]	16.78 [0.661]	34.84 [1.372]	32.30 [1.272]	24	50			33.58 [1.322]	16.78 [0.661]	34.84 [1.372]	32.30 [1.272]	24	50			33.58 [1.322]	16.78 [0.661]	34.84 [1.372]	32.30 [1.272]	24	50			33.58 [1.322]	16.78 [0.661]	34.84 [1.372]	32.30 [1.272]	24	50			5-104655-6
OBsolete	27.23 [1.072]	13.61 [0.536]	28.49 [1.122]	25.95 [1.022]	19	40			27.23 [1.072]	13.61 [0.536]	28.49 [1.122]	25.95 [1.022]	19	40			27.23 [1.072]	13.61 [0.536]	28.49 [1.122]	25.95 [1.022]	19	40			27.23 [1.072]	13.61 [0.536]	28.49 [1.122]	25.95 [1.022]	19	40			5-104655-5
OBsolete	20.88 [0.822]	10.43 [0.411]	22.14 [0.872]	19.60 [0.772]	14	30			20.88 [0.822]	10.43 [0.411]	22.14 [0.872]	19.60 [0.772]	14	30			20.88 [0.822]	10.43 [0.411]	22.14 [0.872]	19.60 [0.772]	14	30			20.88 [0.822]	10.43 [0.411]	22.14 [0.872]	19.60 [0.772]	14	30			5-104655-4
OBsolete	14.53 [0.572]	7.26 [0.286]	15.79 [0.622]	13.25 [0.522]	9	20			14.53 [0.572]	7.26 [0.286]	15.79 [0.622]	13.25 [0.522]	9	20			14.53 [0.572]	7.26 [0.286]	15.79 [0.622]	13.25 [0.522]	9	20			14.53 [0.572]	7.26 [0.286]	15.79 [0.622]	13.25 [0.522]	9	20			5-104655-3
OBsolete	11.98 [0.472]	5.99 [0.236]	13.25 [0.522]	10.72 [0.422]	7	16			11.98 [0.472]	5.99 [0.236]	13.25 [0.522]	10.72 [0.422]	7	16			11.98 [0.472]	5.99 [0.236]	13.25 [0.522]	10.72 [0.422]	7	16			11.98 [0.472]	5.99 [0.236]	13.25 [0.522]	10.72 [0.422]	7	16			5-104655-2
OBsolete	8.18 [0.322]	4.08 [0.161]	9.44 [0.372]	6.90 [0.272]	4	10			8.18 [0.322]	4.08 [0.161]	9.44 [0.372]	6.90 [0.272]	4	10			8.18 [0.322]	4.08 [0.161]	9.44 [0.372]	6.90 [0.272]	4	10			8.18 [0.322]	4.08 [0.161]	9.44 [0.372]	6.90 [0.272]	4	10			5-104655-1



RECOMMENDED BOARD LAYOUT
 SCALE - 5:1

BASIC DIMENSIONS FOR ODD NUMBER OF SPACES

DO NOT SCALE PRINT. UNLESS SPECIFIED DIMENSIONS IN mm [INCHES] TOLERANCES ON: 2 PLC DEC ± 0.13[.005] 3 PLC DEC ± ANGLES ± 0°30'

DR 08/07/91 KATE HELM
 CHK 8/12/91 D. GORENC
 APPD 8/12/91 D. GORENC
 APPD 8/12/91 D. FORKER

MATERIAL HOUSING: LCP, COLOR-BLACK
 POST: PHOS BRONZE
 HOLD DOWN: COPPER ALLOY
 FINISH SEE TABLE

AMP INCORPORATED
 Harrisburg, Pa. 17105

NAME: HEADER ASSEMBLY, SURFACE MOUNT, AMPMODU 50/50 GRID (6.35 [.250] MATED HEIGHT)

SIZE: D CAGE CODE: 00779 DRAWING NO: 104655
 WEIGHT: SCALE: 10:1 SHEET: 1 OF 1