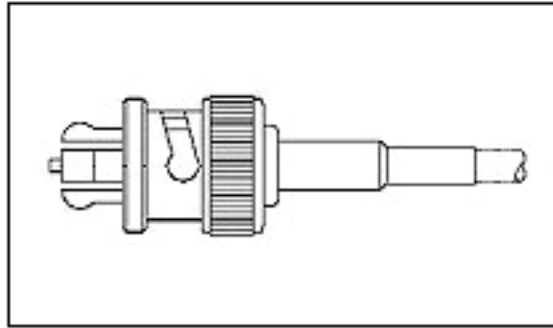




## 51426-4 Product Details

[Share](#) | [Print](#) | [Email](#)


51426-4

TE Internal Number: 51426-4

Active

View 3D PDF

### SHV RF Connectors

Not EU RoHS or ELV Compliant (Find RoHS Compliant Alternates)

#### Product Highlights:

- Connector - RF
- RF Connector Type = SHV
- Plug
- Coaxial Cable Type (RG/U or Mfg.) = 58, 58A, 58B, 58C
- Coaxial Cable Termination Type = Crimp

[View all Features](#)

#### Quick Links

- ▶ [Pricing & Availability](#)
- ▶ [Search for Tooling](#)
- ▶ [Product Feature Selector](#)
- ▶ [Contact Us About This Product](#)

[Add to My Part List](#) [Request Sample](#) [Find Similar Products](#) [Buy Product](#)

### Documentation & Additional Information

#### Product Drawings:

- [CONNECTOR, COAXIAL, PLUG, SERIES SHV \(PDF, English\)](#)

#### Catalog Pages/Data Sheets:

- None Available

#### Product Specifications:

- [COAXICON Standard High Voltage Connector \(PDF, English\)](#)

#### Application Specifications:

- [Coaxial High Voltage Connectors \(PDF, English\)](#)

#### Instruction Sheets:

- [Standard High Voltage \(SHV\) COAXICON Plug Connectors... \(PDF, English\)](#)

#### CAD Files: (CAD Format & Compression Information)

- [2D Drawing \(DXF, Version P\)](#)
- [3D Model \(IGES, Version P\)](#)
- [3D Model \(STEP, Version P\)](#)

[List all Documents](#)

#### Related Products:

- [Tooling](#)

### Product Features (Please use the Product Drawing for all design activity)

#### Product Type Features:

- **Product Type** = Connector - RF
- **RF Connector Type** = SHV
- **Gender** = Plug
- **Dielectric Material** = Fluoropolymer

#### Mechanical Attachment:

- **Panel Mount Retention** = Without

#### Termination Features:

- **Coaxial Cable Termination Type** = Crimp
- **Crimp Type** = Dual

#### Body Features:

- **Body Plating** = Nickel

#### Contact Features:

- **Center Contact Plating** = Gold

#### Configuration Features:

- **Coaxial Cable Type (RG/U or Mfg.)** = 58, 58A, 58B, 58C

#### Industry Standards:

- **RoHS/ELV Compliance** = Not ELV/RoHS compliant
- **Lead Free Solder Processes** = Not relevant for lead free process

#### Conditions for Usage:

- **Applies To** = Coaxial Cable

#### Other:

- **Brand** = AMP

#### Corporate Information

- [About TE](#)
- [Investors](#)
- [News Room](#)
- [Supplier Portal](#)
- [Careers](#)
- [Terms & Conditions](#)
- [Privacy Policy](#)

#### Quick Links

- [Distributor Inventory](#)
- [Product Cross Reference](#)
- [Documents & Drawings](#)
- [Product Compliance Support Center](#)
- [Site Map](#)

#### Customer Support

- [Email or Chat With Us](#)
- [Find a Phone Number](#)
- [Knowledge Base](#)
- [Manage Your Account](#)

#### Keep Me Informed

