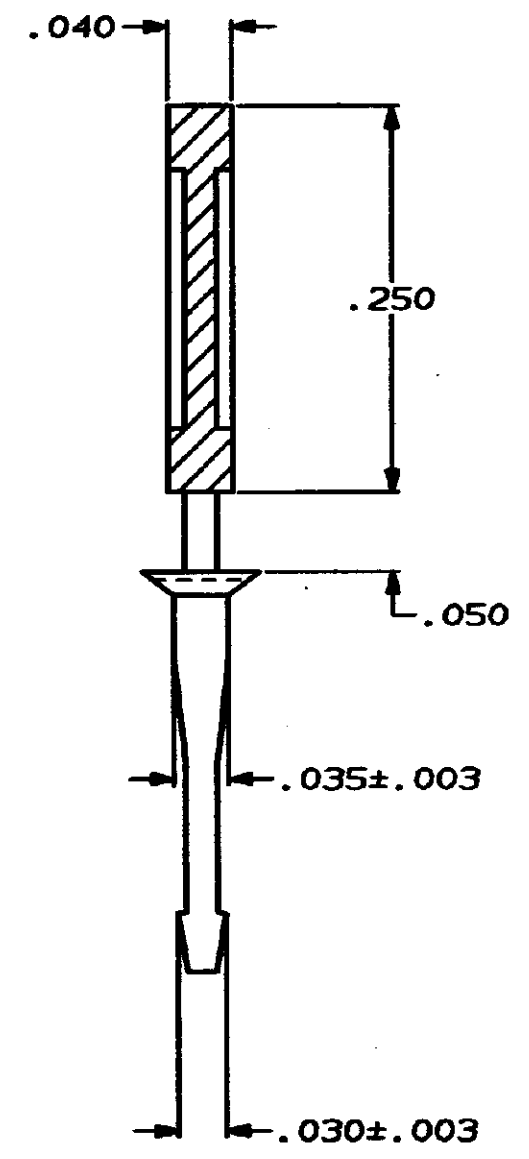
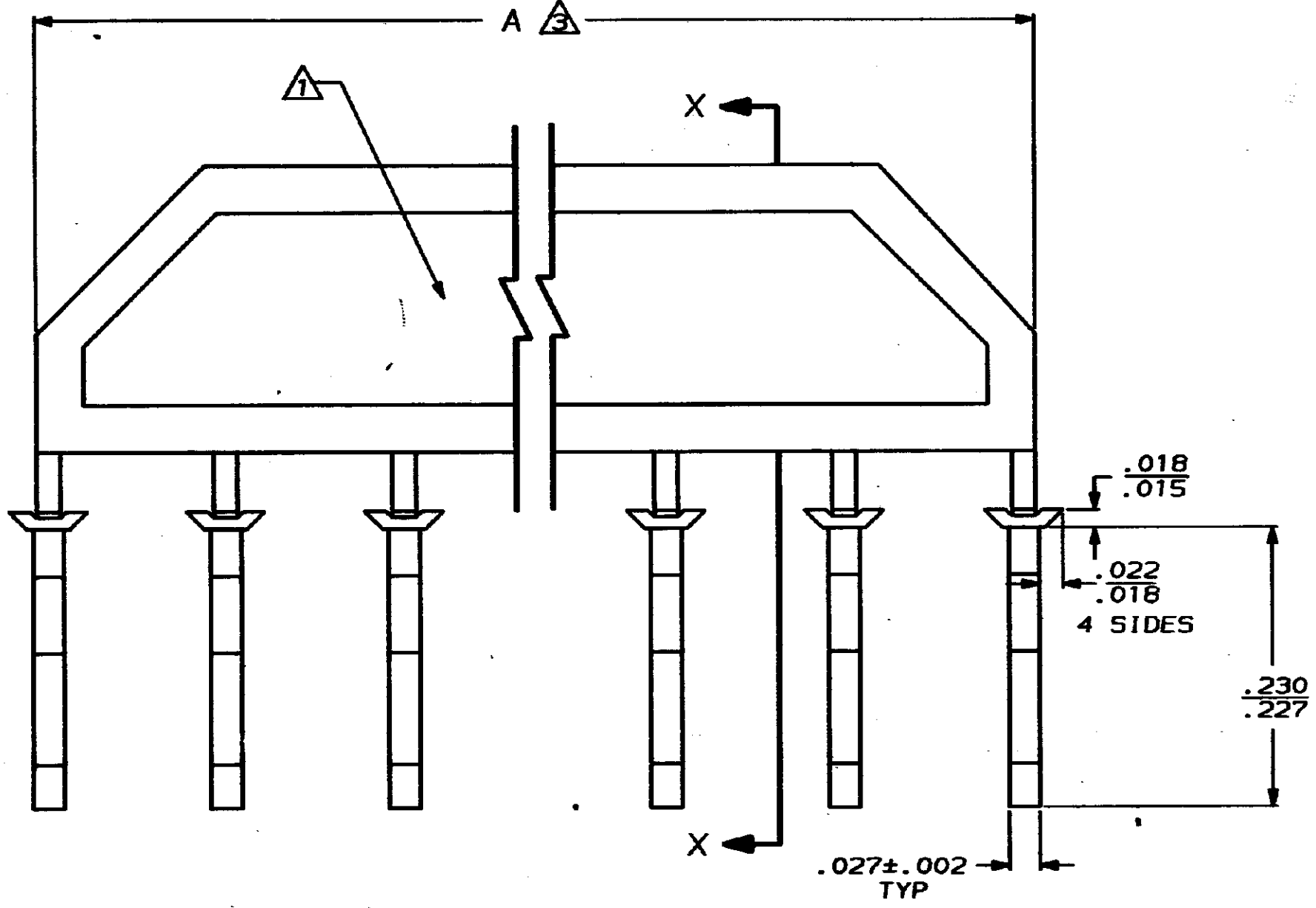


DRAWING MADE IN THIRD ANGLE PROJECTION  
 THIS DRAWING IS UNPUBLISHED. RELEASED FOR PUBLICATION 19  
 © COPYRIGHT 19 BY AMP INCORPORATED, HARRISBURG, PA. ALL INTERNATIONAL RIGHTS  
 104072 AMP PRODUCTS MAY BE COVERED BY U.S. AND FOREIGN PATENTS AND/OR PATENTS PENDING.

LOC		DIST		REVISIONS				
AD	39	P	F	ZONE	LTR	DESCRIPTION	DATE	APPROVED
				0		REL WAS 5990-608		
				A		REV LOC & DIST AD-4171	3-90	BF

D  
C  
B  
A



SECTION X-X

- ① "AMP" TRADEMARK ON SURFACE INDICATED
- ② MINIMUM OF EIGHT KEYING PLUGS ARE TO BE ATTACHED TO THE CARRIER
- ③ THIS DIMENSION APPLIES OVER THE CARRIER AREA; IT DOES NOT CONTROL THE KEYING PLUGS

1.372	10/2	104072-1
A	NO OF PLUGS	PART NUMBER

UNLESS OTHERWISE SPECIFIED DIMENSIONS ARE IN INCHES TOLERANCES ON:		DR 4-16-87 H. HOLL		AMP INCORPORATED Harrisburg, Pa. 17105	
2 PL DEC ± -		CHK 4-16-87 L. MAYER		NAME	
3 PL DEC ± .005		APPD 4-16-87 P. DeJONG		KEYING PLUGS, MTE	
ANGLES ± -		APPD 4-16-87 J. SCHIEFER		SIZE	
MATERIAL: FLAME RETARDANT THERMOPLASTIC COLOR-WHITE		PRODUCT SPEC -		FSCM NO 00779	
FINISH: -		APPLICATION SPEC -		DRAWING NO 104072	
WEIGHT -		SCALE 10:1		SHEET 1 OF 1	

104072