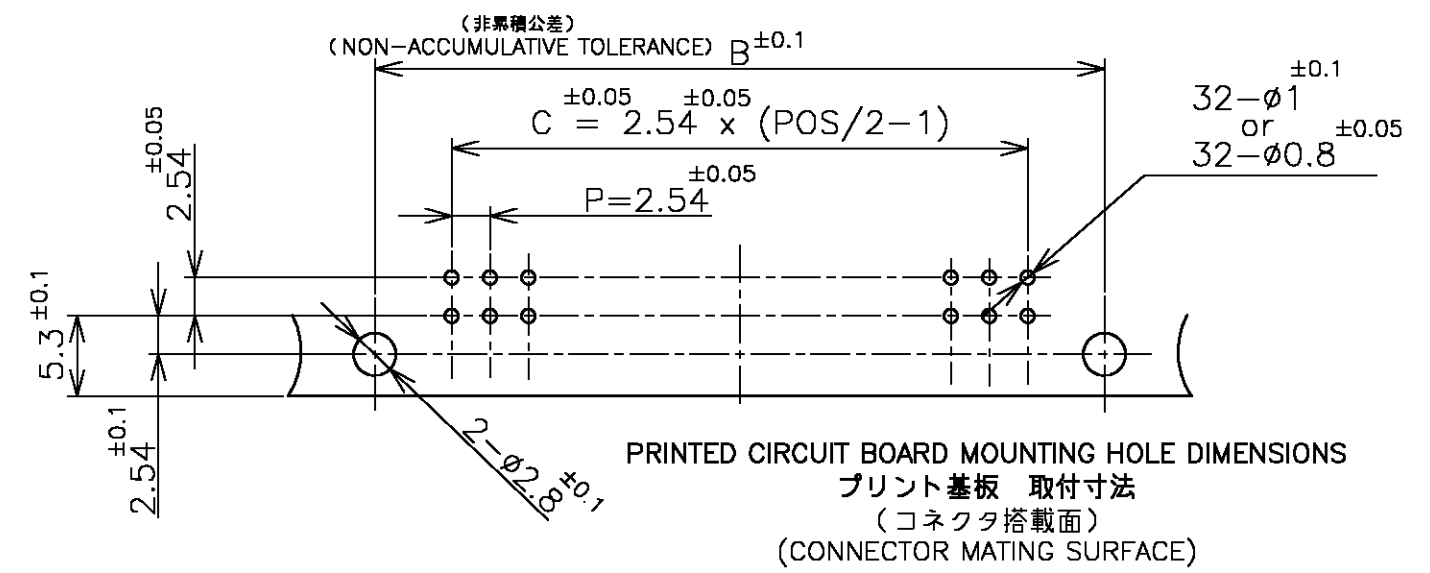
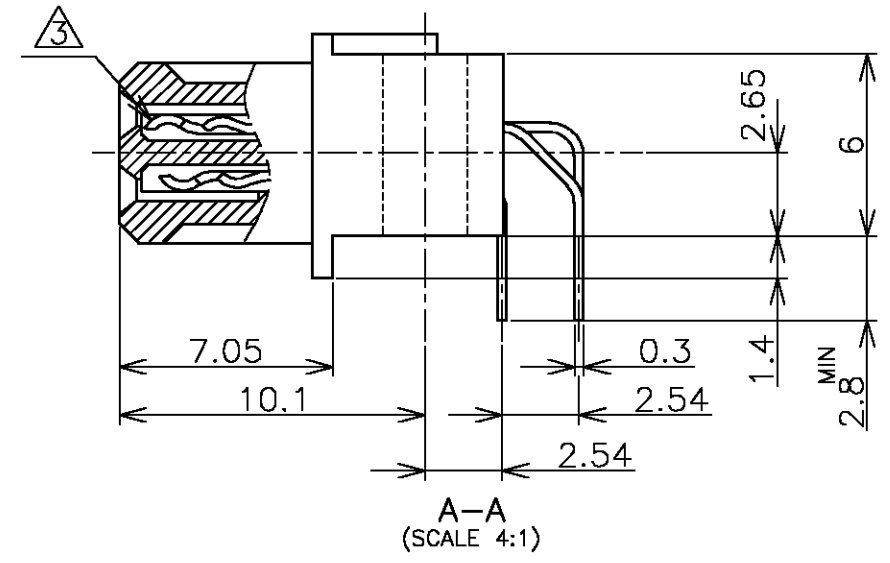
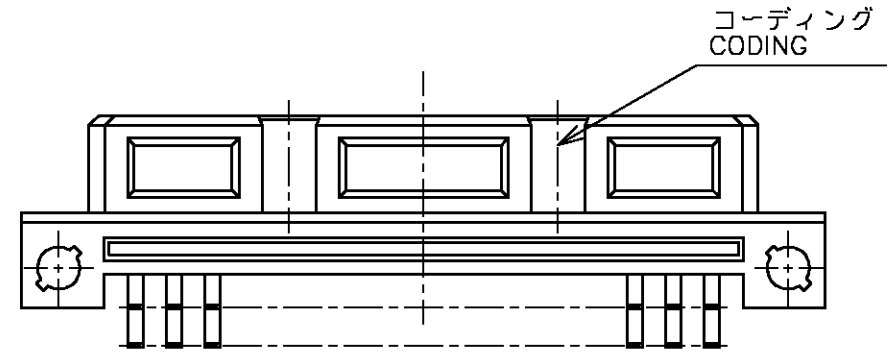
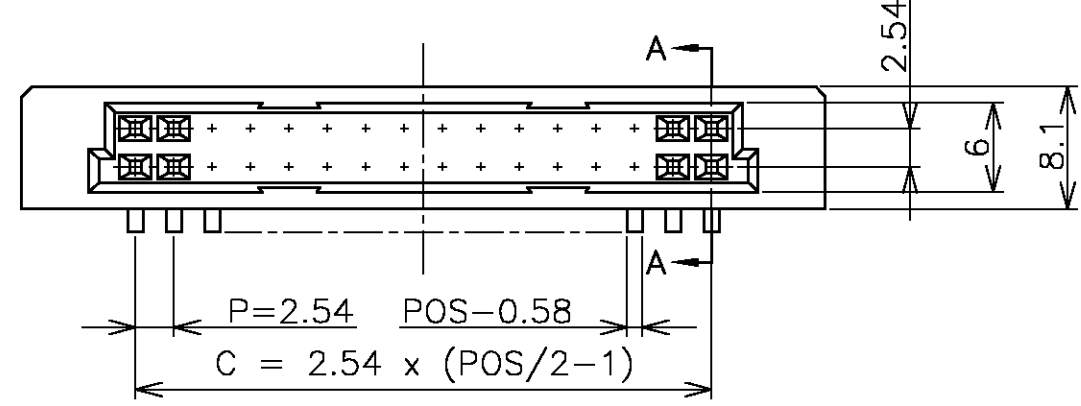
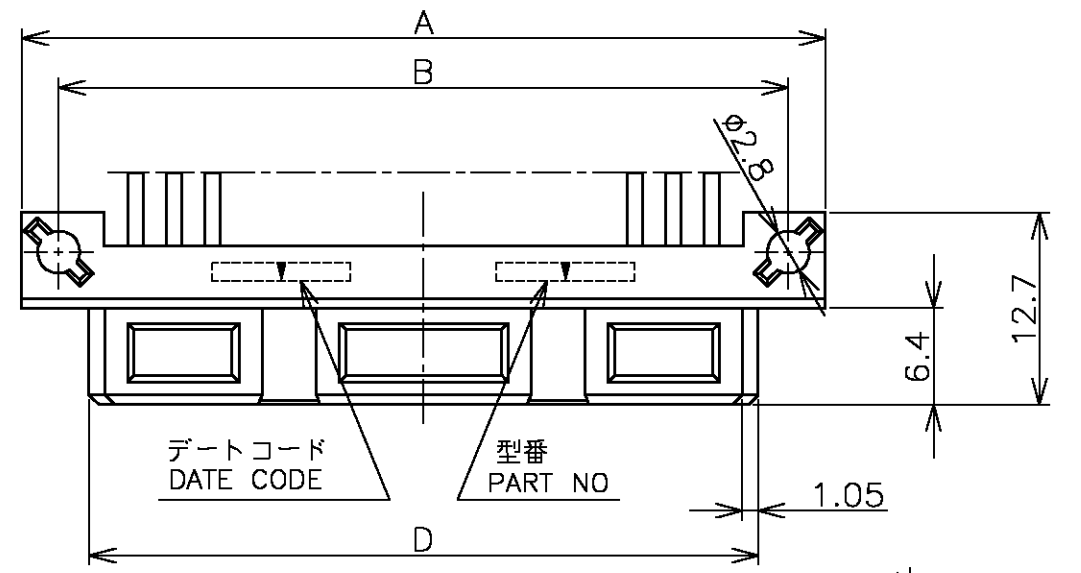


THIS DRAWING IS UNPUBLISHED. RELEASED FOR PUBLICATION NOV, 2004.
 © COPYRIGHT 2004 BY TYCO ELECTRONICS CORPORATION. ALL RIGHTS RESERVED.

LOC	DIST	REVISIONS			DATE	DWN	APVD
		P	LTR	DESCRIPTION			
J			O	RELEASED	FJBO-1086-04	30NOV04	T.K K.I



1. 材料 : コンタクト: 燐青銅
ハウジング: 熱可塑性ポリエステル樹脂、灰色
2. 表面仕上げ(コンタクト)

下地めっき	タイン部	コンタクト接触部	その他
ニッケル	錫めっき	金めっき (0.2 μ)	封孔処理

3. グランドコンタクト ; b 列 NO.1, 32 に配置 (2個所) - 64極 (P/N 5174253-2)
; b 列 NO.1, 16 及び 5b に配列 (3個所) - 32極 (5174253-3)
P/N 5174253-1 32極 b 列 NO.1, 16 にグランド配列 (2個所)
締寸法は -3 と同様
P/N 5174253-4 64極 b 列 NO.1, 32 及び 2b, 31b にグランド配列 (4個所)
締寸法は -2 と同様

1. MATERIAL : CONTACT: PHOSPHOR BRONZE
HOUSING: THERMOPLASTIC POLYESTER RESIIN, GRAY
2. FINISH (CONTACT)

UNDER PLATE	TINE AREA	CONTACT AREA	REMAINDER AREA
NICKEL	TIN	GOLD(0.2 μ)	PORPSITY SEALED

3. GROUNDING CONTACTS : ON NO.1 & NO.32(2 PL) IN LOW b FOR 64-POS. (P/N 5174253-2)
ON NO.1 & NO.16 AND NO.5b(3 PL) FOR 32-POS. (P/N 5174253-3)
GROUNDING CONTACTS : ON NO.1 & NO.16(2 PL) IN b ROW FOR 32-POS. (P/N 5174253-1)
DIMENSIONS TYPICAL TO -3.
GROUNDING CONTACTS : ON NO.1 & NO.32 AND NO.2b, 31b(4 PL) (P/N 5174253-4)
DIMENSIONS TYPICAL TO -2.

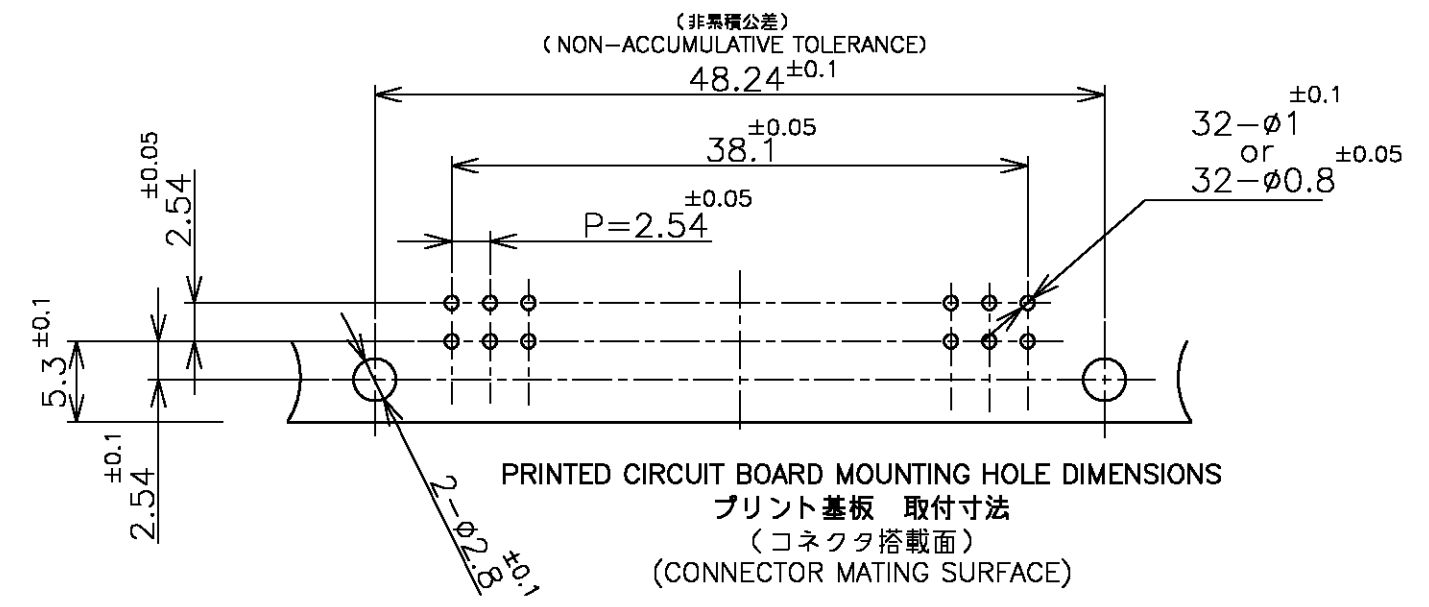
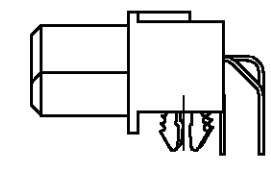
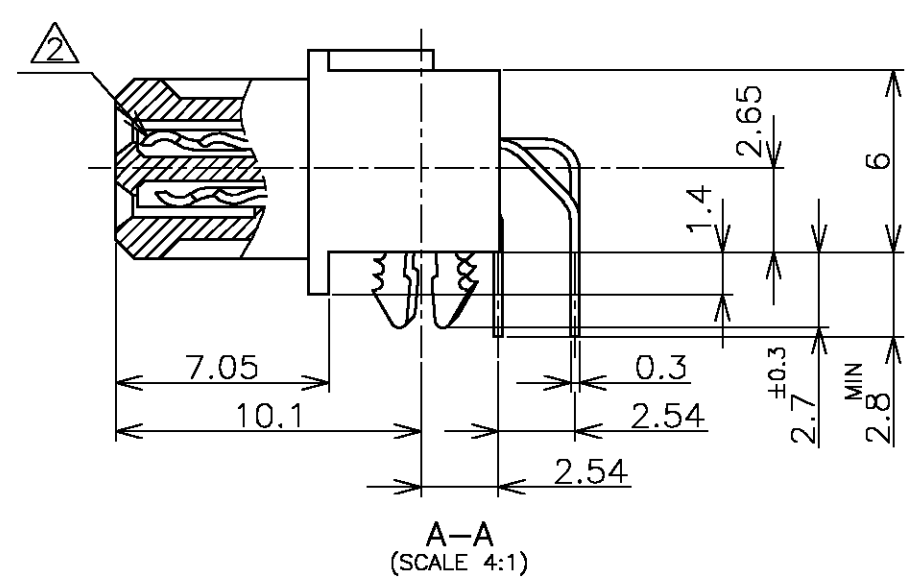
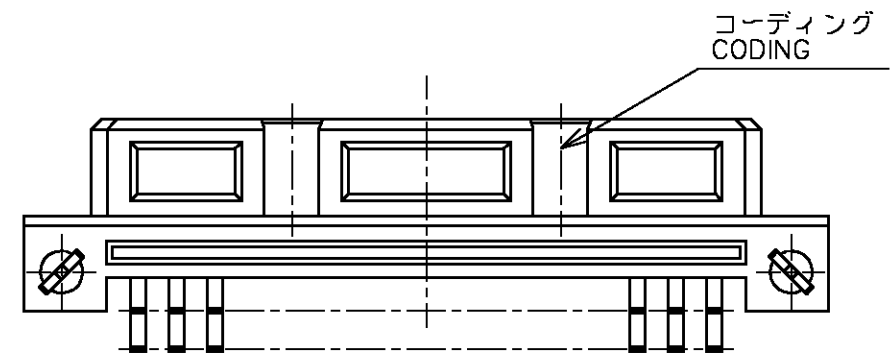
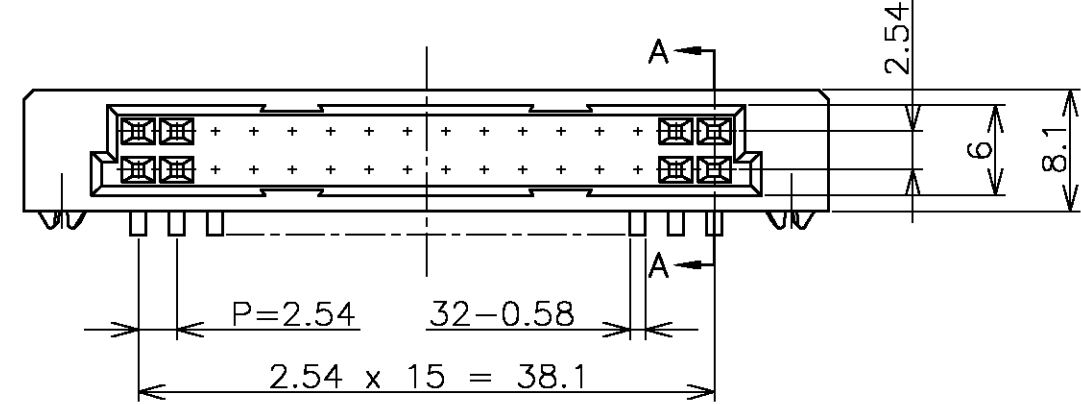
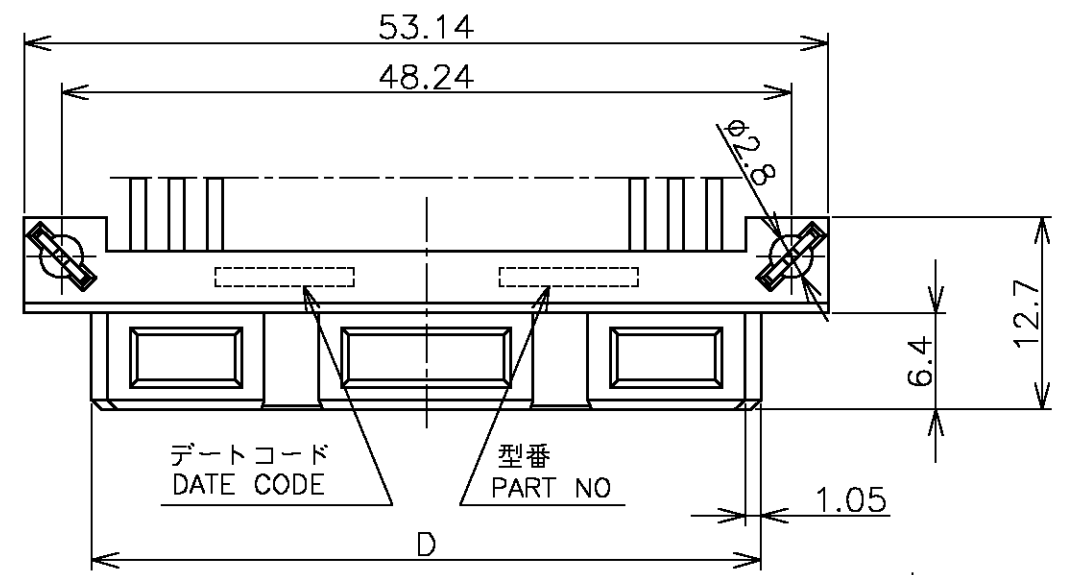
	-2, -4	64	93.8	88.9	78.74	84.9	6, 13, 20, 27
	5174253-1, -3	32	53.1	48.24	38.1	44.2	4.12
PART No.	POS	A	B	C	D	CODING LOCATIONS	

THIS DRAWING IS A CONTROLLED DOCUMENT.		DWN T.KIMURA 30NOV04	tyco Tyco Electronics AMP K.K. Kawasaki, Japan				
DIMENSIONS: 単位: 筈 MM		CHK K.IKEGAMI 30NOV04	Electronics				
TOLERANCES UNLESS OTHERWISE SPECIFIED: 一般公差		APVD K.IKEGAMI 30NOV04	NAME 名称 DR DIN CONN. FEMALE ASSY (WITH GROUND)				
0 PLC ± 0.2 1 PLC ± 0.2 2 PLC ± 0.2 3 PLC ± 0.2 4 PLC ± 0.2 ANGLES $\pm 3'$		PRODUCT SPEC 製品規格	APPLICATION SPEC 取付適用規格				
MATERIAL 材料 SEE NOTE		FINISH 仕上 SEE NOTE	WEIGHT	SIZE A3	CAGE CODE 00779	DRAWING NO 番号 C-5174253	RESTRICTED TO
CUSTOMER DRAWING			SCALE 尺度 2:1	SHEET 1	OF 2	REV 0	

THIS DRAWING IS UNPUBLISHED. RELEASED FOR PUBLICATION NOV, 2004.
 © COPYRIGHT 2004 BY TYCO ELECTRONICS CORPORATION. ALL RIGHTS RESERVED.

LOC	DIST	REVISIONS					
		P	LTR	DESCRIPTION	DATE	DWN	APVD
J			-	SEE SHEET 1	-	-	-

5-5174253-1: 本図
 5-5174253-1: AS SHOWN



- 1 材料
 (1) ハウジング : ガラス入り熱可塑性樹脂、灰色 (UL94V-0)
 (2) コンタクト : 銅合金、仕上げ、ニッケル下地めっき
 接触部 : 金めっき0.2μ以上
 タイム : 錫めっき
 (3) リテンションレグ : 銅合金仕上げ、ニッケル下地めっき、錫めっき
 2 △グラウンドコンタクト : b 列 NO.1, 16 (2箇所) に配置

- 1 MATERIAL
 (1) HOUSING : GLASS FILLED THERMOPLASTIC, GRAY (UL94V-0)
 (2) CONTACTS : COPPER ALLOY
 FINISH : CONTACT AREA : 0.0002 MIN. Au PLATING OVER Ni UNDER PLATING.
 SOLDERING AREA : TIN PLATING OVER Ni UNDER PLATING.
 (3) RETENTION-LEG : COPPER ALLOY
 FINISH : TIN PLATING OVER Ni UNDER PLATING.
 2 △ GROUND CONTACTS : NO.1 & 16 (2 PL.) IN ROW b.

THIS DRAWING IS A CONTROLLED DOCUMENT.		DWN	Tyco Electronics AMP K.K. Kawasaki, Japan	
DIMENSIONS: 単位: 筈 MM		CHK	NAME 名称	
TOLERANCES UNLESS OTHERWISE SPECIFIED: 一般公差		APVD	DR DIN CONN. FEMALE ASSY (WITH GROUND AND R-LEG)	
0 PLC ± 0.2		PRODUCT SPEC 製品規格	SIZE	CAGE CODE
1 PLC ± 0.2		APPLICATION SPEC 取付適用規格	A3	00779
2 PLC ± 0.2		WEIGHT	DRAWING NO 番号	
3 PLC ± 0.2		CUSTOMER DRAWING	C-5174253	
4 PLC ± 0.2		SCALE 尺度	RESTRICTED TO	
ANGLES ± 3'		2:1	SHEET 2 OF 2	
MATERIAL 材料	FINISH 仕上	REV 0		
SEE NOTE	SEE NOTE			