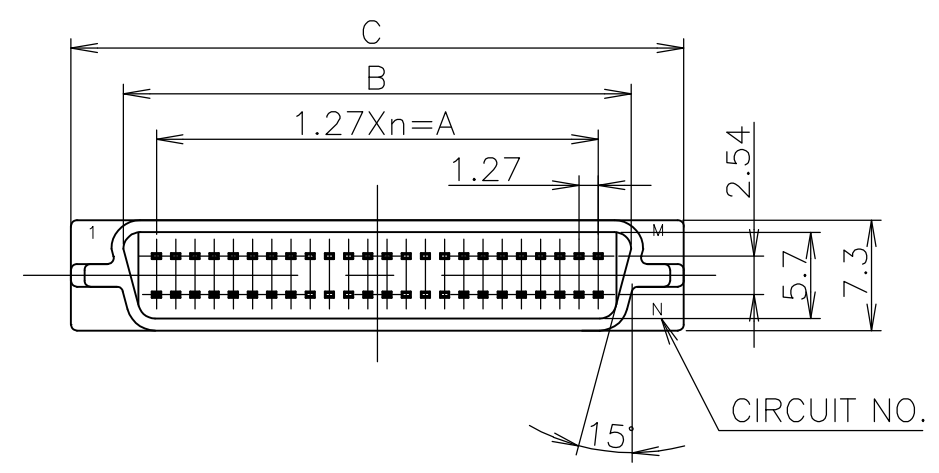
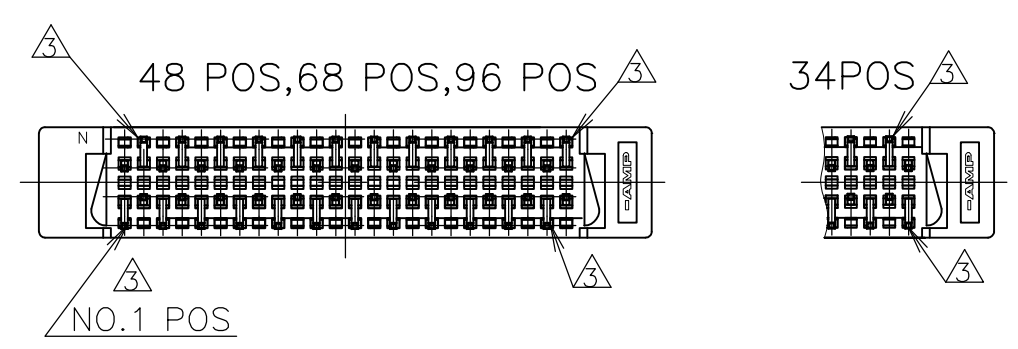
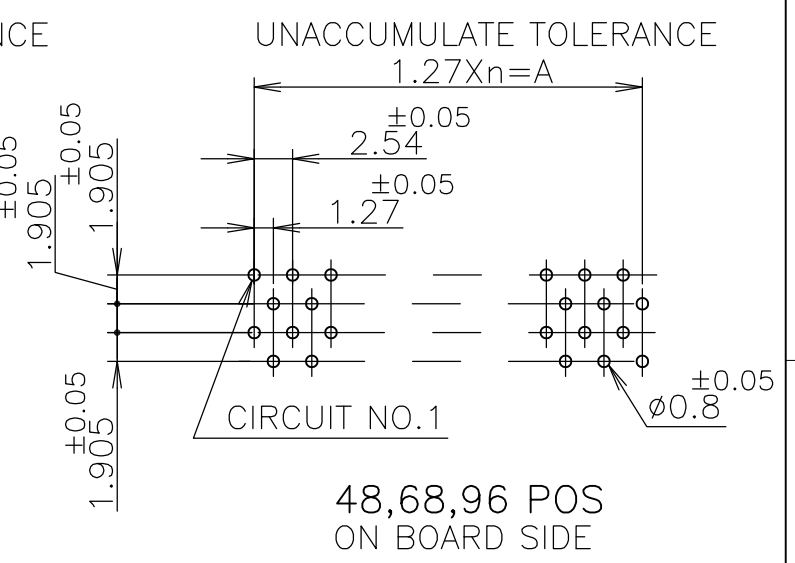
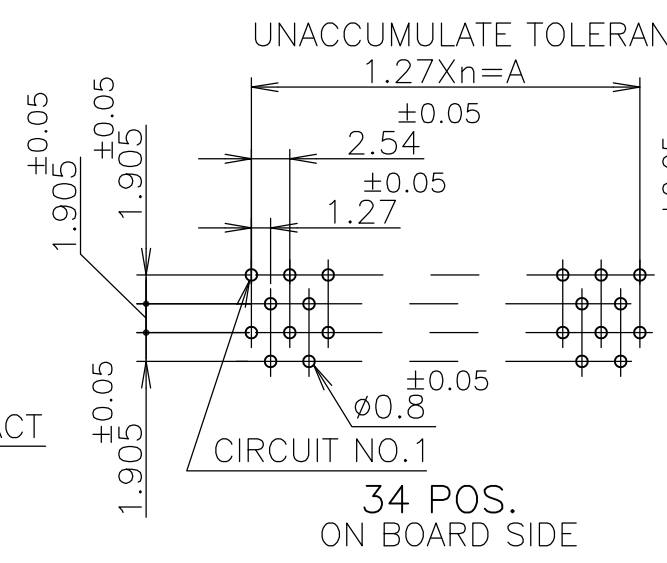
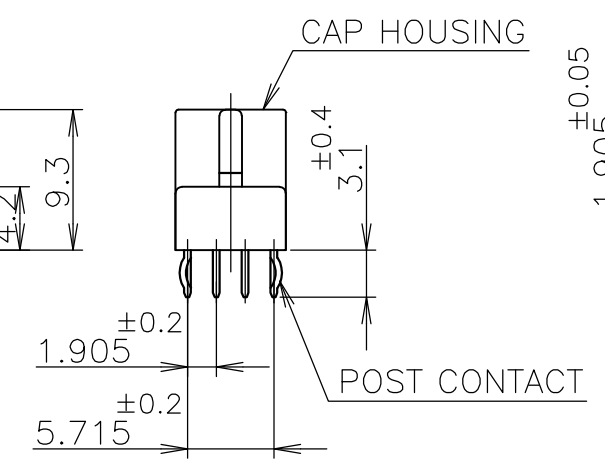
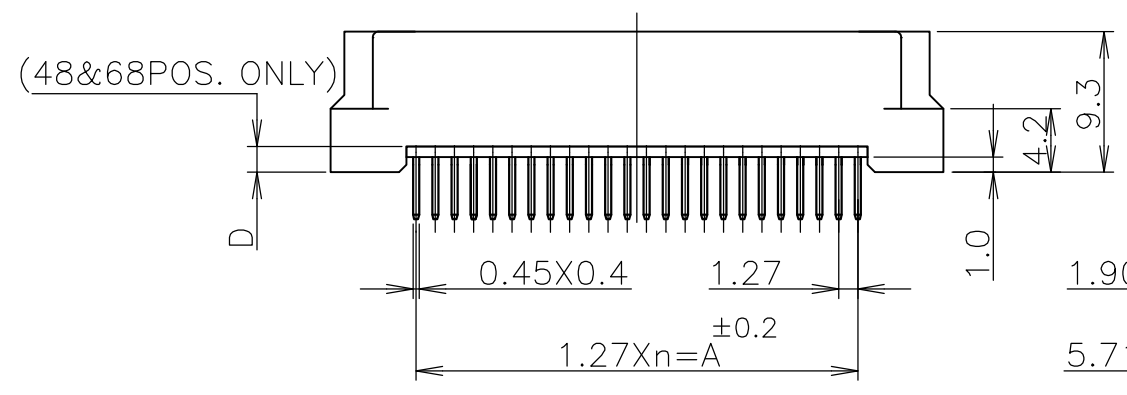


THIS DRAWING IS UNPUBLISHED. RELEASED FOR PUBLICATION AUG, 2005.
 © COPYRIGHT 2005 By - ALL RIGHTS RESERVED.

LOC	DIST	REVISIONS					
J	/	P	LTR	DESCRIPTION	DATE	DWN	APVD
		P		REVISED PER ECO-11-005030	11MAR11	RK	HMR



- 1 MATERIAL AND FINISH
 CAP HOUSING ; THERMOPLASTIC (UL94V-0) COLOR:BLACK
 POST CONTACT ; COPPER ALLOY FINISH,OVER NICKEL
 MATING END:0.0002 MIN. OR 0.00076 MIN. GOLD
 TERMINATION END:TIN OVER SEALING TREATMENT.
- 2 P.C.B. LAYOUT AND P.C.B. TREATMENT(REF.)
 USE A P.C.B. SURFACE ARE TREATED WITH SOLDER RESIST.
- 3 KINK POSITIONS(4 POSITIONS).
- 4 OBSOLETE PARTS: OBSOLETE CIS STREAMLINING PER D.RENAUD/D.SINISI



REMARK	N	M	DIMENSION					n	POS.	PART NO.	
			A	B	C	D					
4 OBSOLETE	Au PL. 0.00076 MIN.	96	48	59.69	64.06	71.00	—	47	96	6—	—8
		68	34	41.91	46.28	53.22	1.7	33	68	6—	—7
		48	24	29.21	33.58	40.52	1.7	23	48	6—	—6
		34	17	20.32	24.69	31.63	—	16	34	6—	—5
4 OBSOLETE	Au PL. 0.0002 MIN.	96	48	59.69	64.05	71.00	—	47	96		—8
		68	34	41.91	46.28	53.22	1.7	33	68		—7
		48	24	29.21	33.58	40.52	1.7	23	48		—6
		34	17	20.32	24.69	31.63	—	16	34		—5

GENERAL TOLERANCE
 一般公差
 10 ≥ : ±0.2
 30 ≥ > 10: ±0.25
 100 ≥ > 30: ±0.3
 ANGLES: ±3°

THIS DRAWING IS A CONTROLLED DOCUMENT.

DIMENSIONS: 単位: 耗 mm

TOLERANCES UNLESS OTHERWISE SPECIFIED: 一般公差

0 PLC ± -
 1 PLC ± -
 2 PLC ± -
 3 PLC ± -
 4 PLC ± -
 ANGLES ± -

MATERIAL 材料

FINISH 仕上

DWN T.KAWAMAE 04AUG05
 CHK T.SASAKI 04AUG05
 APVD T.SASAKI 04AUG05

PRODUCT SPEC 製品規格
 APPLICATION SPEC 取付適用規格

WEIGHT

CUSTOMER DRAWING

SCALE 尺度 2:1

SHEET 1 OF 1

REV P

RESTRICTED TO

STE TE Connectivity

CAP ASSY VERTICAL (W/KINK)
 AMPLIMITE 050 SERIES I B-TO-B CONN.

NAME 名称
 SIZE A3 CAGE CODE 00779 DRAWING NO. 番号 C-5174683