

4

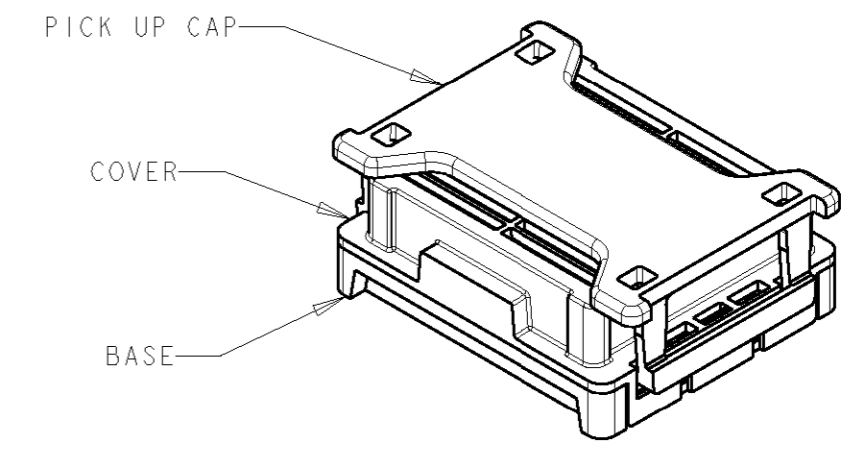
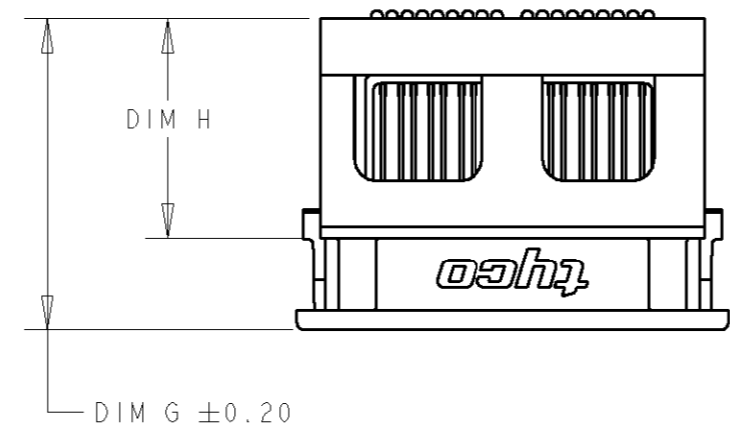
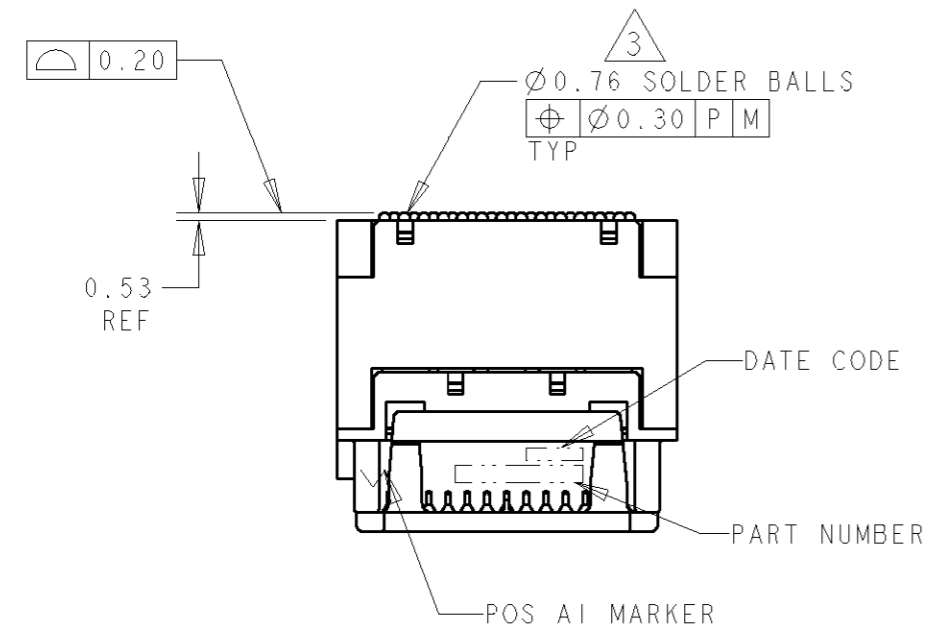
3

2

1

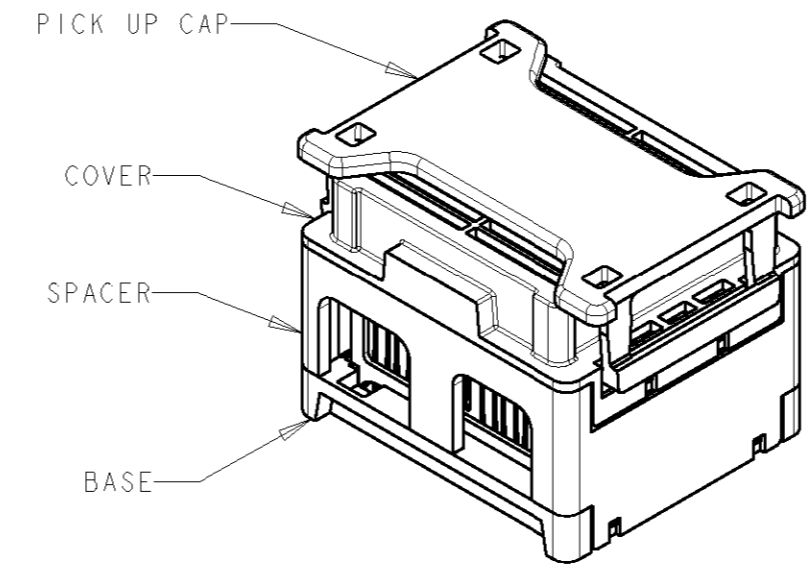
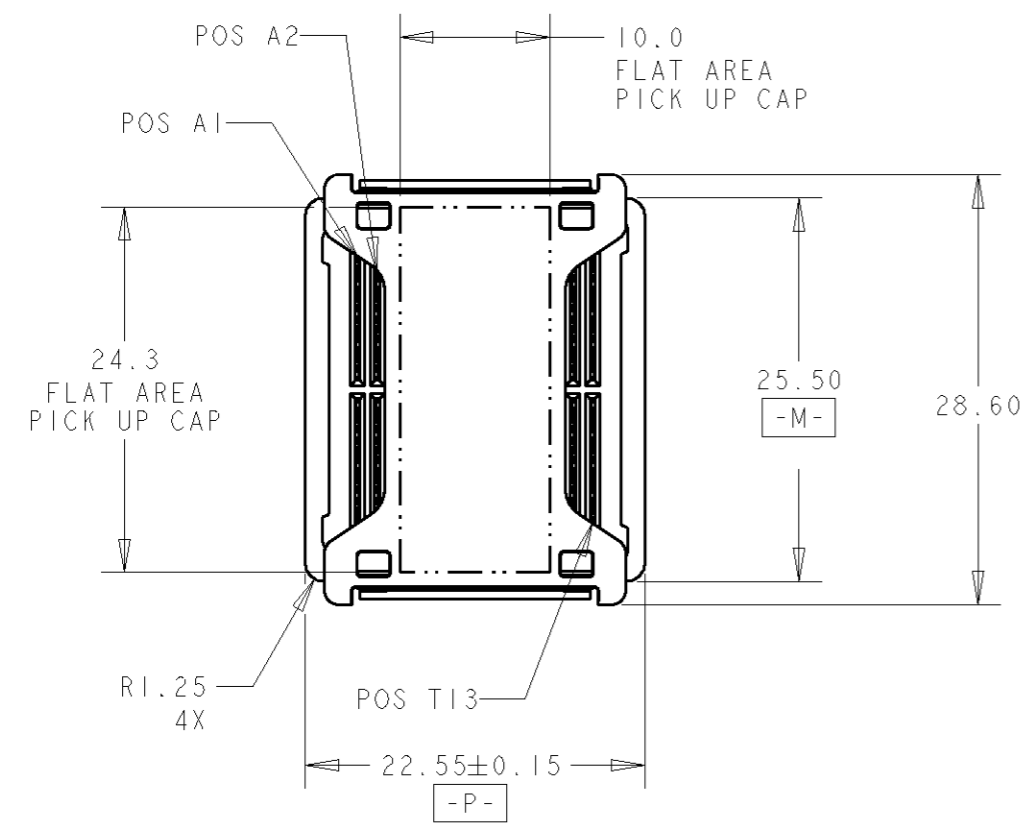
THIS DRAWING IS UNPUBLISHED. RELEASED FOR PUBLICATION 20
 © COPYRIGHT 20 BY TYCO ELECTRONICS CORPORATION. ALL RIGHTS RESERVED.

LOC	DIST	REVISIONS			
P	LTR	DESCRIPTION	DATE	DWN	APVD
GP	00	A	RELEASED PER ECO-05-015609	03JAN2006	BEC DD
		AI	REV PER ECO-06-012257	05JUN2006	BC DD



TYPICAL ASSEMBLY
 15mm SHOWN
 SCALE 2:1

ISOMETRIC VIEW
 TYPICAL CONFIGURATION
 FOR 5mm ASSEMBLY
 SCALE 2:1



ISOMETRIC VIEW
 TYPICAL CONFIGURATION
 FOR 15mm ASSEMBLY
 SCALE 2:1


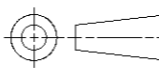
<small>THIS DRAWING IS A CONTROLLED DOCUMENT FOR TYCO ELECTRONICS CORPORATION IT IS SUBJECT TO CHANGE AND THE CONTROLLING ENGINEERING ORGANIZATION SHOULD BE CONTACTED FOR THE LATEST REVISION.</small>		DWN P BRANDBERG 19JAN05 CHK D WERTZ 20JAN05 APVD D WERTZ 20JAN05		tyco Electronics Tyco Electronics Harrisburg, PA 17105-3608	
DIMENSIONS: mm 		TOLERANCES UNLESS OTHERWISE SPECIFIED: 0 PLC ± 1 PLC ±0.3 2 PLC ±0.10 3 PLC ±0.050 4 PLC ± ANGLES ±2°		PRODUCT SPEC 108-2143 APPLICATION SPEC 114-13101 WEIGHT -	
MATERIAL 		FINISH 		NAME STEP-Z, RECEPTACLE ASSEMBLY, 104 SIGNAL POSITION SIZE CAGE CODE DRAWING NO RESTRICTED TO A3 00779 C-1761613 -	
CUSTOMER DRAWING				SCALE -	SHEET 1 OF 3 REV AI

THIS DRAWING IS UNPUBLISHED. RELEASED FOR PUBLICATION 20
 © COPYRIGHT 20 BY TYCO ELECTRONICS CORPORATION. ALL RIGHTS RESERVED.

LOC	DIST	REVISIONS					
		P	LTR	DESCRIPTION	DATE	DWN	APVD
GP	00		-	SEE SHEET 1	-	-	-

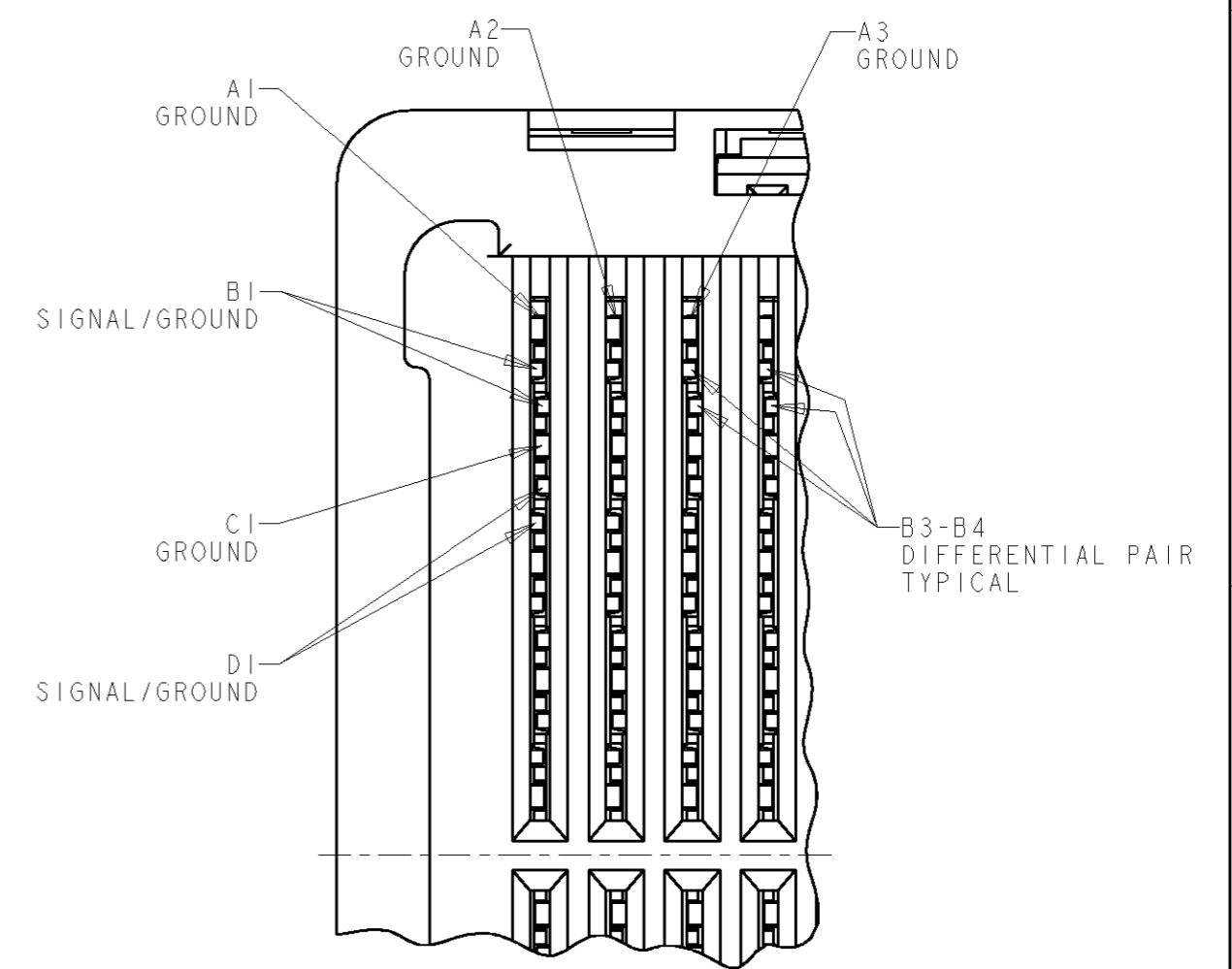
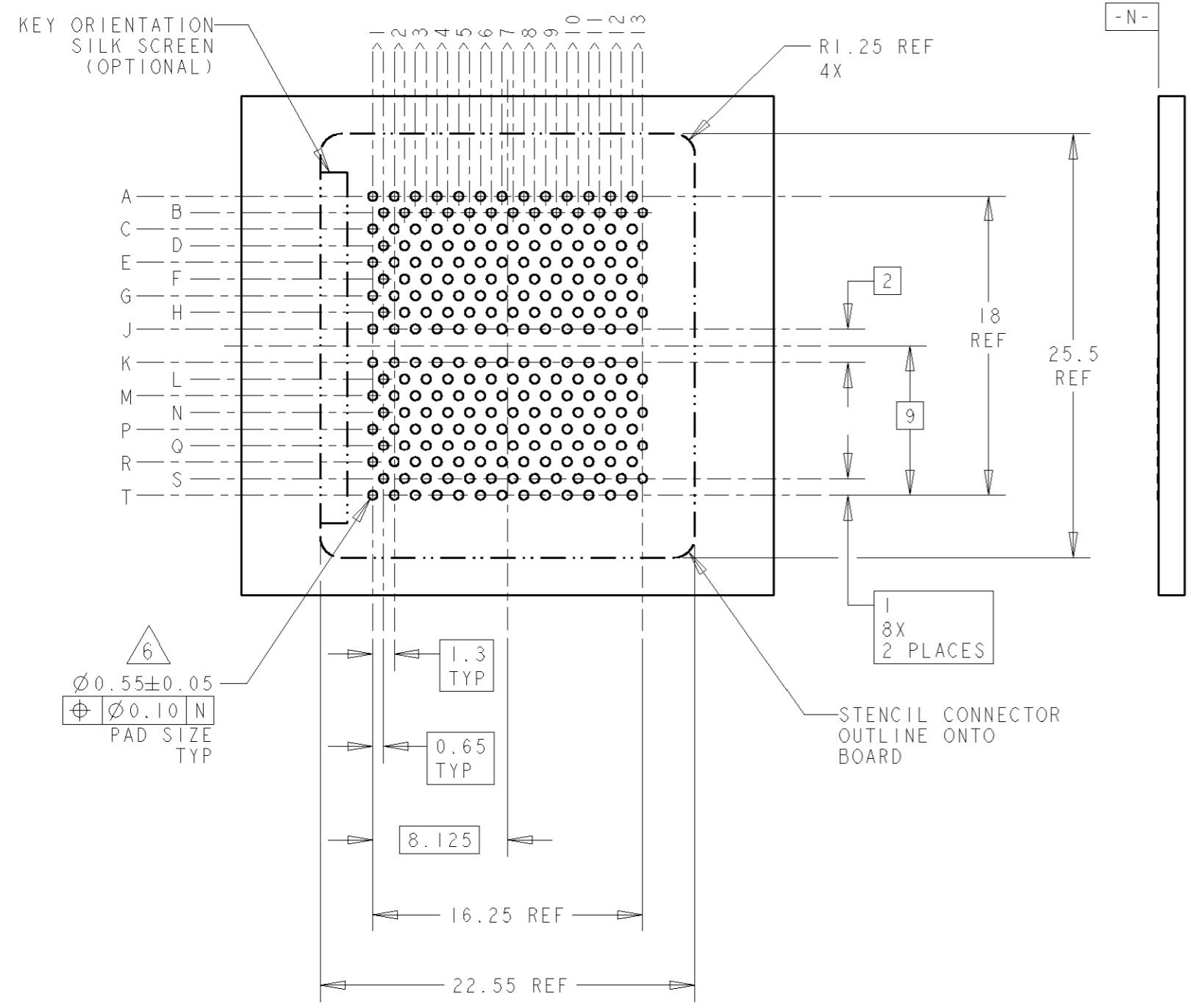
- 1 MATERIAL:
 BASE, SPACER, COVER: THERMOPLASTIC
 PICK UP CAP: THERMOPLASTIC
 CONTACT: COPPER ALLOY
 SOLDER BALL: Sn/Pb FOR P/N 1761615-1 THRU 5-1761615-0
 Sn/Ag FOR P/N 5-1761615-1 THRU 9-1761615-9
- 2 FINISH:
 CONTACT: 0.00076 MIN GOLD OVER 0.00127 MIN NICKEL.
 (30µ" MIN GOLD OVER 50µ" MIN NICKEL)
- 3 SOLDER BALLS WILL NOT BE PERFECT
 SPHERICAL SHAPE DUE TO REFLOW ATTACHMENT.
- 4 CONTACTS IN ROWS A,C,E,G,J,K,M,P,R, AND T
 ARE SINGLE BEAM CONTACTS,
 TYPICALLY USED AS GROUND PINS.
 (NOTE: CONTACTS IN ROWS J & K ARE TIED
 TOGETHER [COMMONED]).
- 5 CONTACTS IN ROWS B,D,F,H,L,N,Q, AND S
 ARE DUAL BEAM CONTACTS,
 TYPICALLY USED AS SIGNAL PINS.
- 6 SPECIFIED POSITIONAL TOLERANCE DEFINES PAD TO PAD
 LOCATION WITHIN LAND PATTERN. POSITIONAL TOLERANCE
 OF LAND PATTERN TO FUDICIAL MARKS OR PCB DATUMS
 SHALL BE DEFINED BY CUSTOMER. FOR RECOMMENDED
 PRODUCT APPLICATION AND PCB DESIGN DETAILS, SEE
 APPLICATION SPEC 114-13101.

DIM H	DIM G	LOAD STYLE	DESCRIPTION	PART NUMBER
14.51	20.65	-	15mm Sn/Ag	6-1761613-5
4.51	10.65	-	5mm Sn/Ag	5-1761613-5
14.51	20.65	-	15mm Sn/Pb	1-1761613-5
4.51	10.65	-	5mm Sn/Pb	1761613-5

<small>THIS DRAWING IS A CONTROLLED DOCUMENT FOR TYCO ELECTRONICS CORPORATION IT IS SUBJECT TO CHANGE AND THE CONTROLLING ENGINEERING ORGANIZATION SHOULD BE CONTACTED FOR THE LATEST REVISION.</small>		DWN P BRANDBERG 19JAN05 CHR D WERTZ 20JAN05 APVD D WERTZ 20JAN05	 Tyco Electronics Harrisburg, PA 17105-3608
DIMENSIONS: mm 	TOLERANCES UNLESS OTHERWISE SPECIFIED: 0 PLC ±- 1 PLC ±0.3 2 PLC ±0.10 3 PLC ±0.050 4 PLC ±- ANGLES ±2°	PRODUCT SPEC - APPLICATION SPEC - WEIGHT -	NAME STEP-Z, RECEPTACLE ASSEMBLY, 104 SIGNAL POSITION SIZE A3 CAGE CODE 00779 DRAWING NO C-1761613 RESTRICTED TO -
MATERIAL -	FINISH -	CUSTOMER DRAWING	SCALE - SHEET 2 OF 3 REV A1

THIS DRAWING IS UNPUBLISHED. RELEASED FOR PUBLICATION 20
 © COPYRIGHT 20 BY TYCO ELECTRONICS CORPORATION. ALL RIGHTS RESERVED.

LOC	DIST	REVISIONS				
P	LTR	DESCRIPTION	DATE	DWN	APVD	
GP	00	-	SEE SHEET 1	-	-	



RECEPTACLE INTERFACE
SCALE 8:1

BOARD PATTERN
SCALE 3:1

THIS DRAWING IS A CONTROLLED DOCUMENT FOR TYCO ELECTRONICS CORPORATION
 IT IS SUBJECT TO CHANGE AND THE CONTROLLING ENGINEERING ORGANIZATION
 SHOULD BE CONTACTED FOR THE LATEST REVISION.

DIMENSIONS:	TOLERANCES UNLESS OTHERWISE SPECIFIED:
mm	0 PLC ±-
	1 PLC ±0.3
	2 PLC ±0.10
	3 PLC ±0.050
	4 PLC ±-
	ANGLES ±2°
MATERIAL -	FINISH -

DWN P BRANDBERG 19JAN05	Tyco Electronics Harrisburg, PA 17105-3608
CHK D WERTZ 20JAN05	
APVD D WERTZ 20JAN05	
PRODUCT SPEC -	NAME STEP-Z, RECEPTACLE ASSEMBLY, 104 SIGNAL POSITION
APPLICATION SPEC -	RESTRICTED TO -
WEIGHT -	SIZE A3 CAGE CODE 00779 C=1761613 DRAWING NO -
CUSTOMER DRAWING	SCALE - SHEET 3 OF 3 REV A1