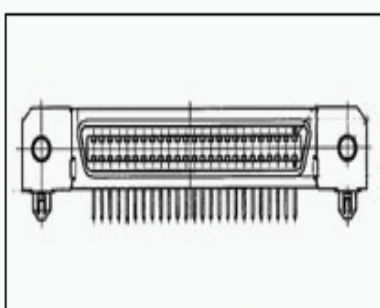


## 5178238-7 Product Details

Have a Question?

Chat with a Product Information Specialist



5178238-7

### 1.27 [.050] Series II and Series III Connectors

Always EU RoHS/ELV Compliant ([Statement of Compliance](#))

**Product Highlights:**

- Connector Style = Header - Receptacle
- 50 Positions
- Applies To Printed Circuit Board
- Right Angle Mount Angle
- With PCB Mount Retention

[View all Features](#)

TE Internal Number: 5178238-7

Active

[View 3D PDF](#)

[Add to My Part List](#) [Request Sample](#) [Find Similar Products](#) [Buy Product](#)

**Quick Links**

- ▶ [Check Pricing & Availability](#)
- ▶ [Search for Tooling](#)
- ▶ [Product Feature Selector](#)
- ▶ [Contact Us About This Product](#)

### Documentation & Additional Information

**Product Drawings:**

- [RECEPTACLE HDR ASSY \(3.1mm\) RETENTION LEG TYPE STAND...](#) (PDF, English)

**Catalog Pages/Data Sheets:**

- None Available

**Product Specifications:**

- [CHAMP.050 Series\(II\) Connector Wire to Board Type](#) (PDF, English)

**Application Specifications:**

- None Available

**Instruction Sheets:**

- None Available

**CAD Files:** ([CAD Format & Compression Information](#))

- [2D Drawing](#) (DXF, Version A)
- [3D Model](#) (IGES, Version A)
- [3D Model](#) (STEP, Version A)

[List all Documents](#)

**Additional Information:**

- [Product Line Information](#)

**Related Products:**

- [Tooling](#)

### Product Features (Please use the Product Drawing for all design activity)

**Product Type Features:**

- [Mount Angle](#) = Right Angle
- [PCB Mount Retention](#) = With
- [Mating Connector Lock](#) = Without
- [Product Series](#) = Series II
- Color = Black
- Shell Material = Steel

**Mechanical Attachment:**

- [Panel Attachment](#) = With
- Tine Plate Material = Thermoplastic

**Termination Related Features:**

- Termination Post Length (mm [in]) = 3.10 [0.122]
- Solder Tail Contact Plating = Tin over Nickel

**Body Related Features:**

- [Number of Positions](#) = 50
- Centerline (mm [in]) = 1.27 [0.050]
- PCB Mount Retention Type = Boardlock(s)
- Shell Plating = Nickel

**Contact Related Features:**

- [Contact Plating, Mating Area, Material](#) = Gold (12)
- Contact Base Material = Copper Alloy

**Housing Related Features:**

- Connector Style = Header - Receptacle
- [Housing Material Temperature](#) = Standard
- Housing Material = Zinc Diecast
- UL Flammability Rating = UL 94V-0

**Industry Standards:**

- [RoHS/ELV Compliance](#) = RoHS compliant, ELV compliant
- [Lead Free Solder Processes](#) = Wave solder capable to 240°C, Wave solder capable to 260°C, Wave solder capable to 265°C
- RoHS/ELV Compliance History = Always was RoHS compliant

**Conditions for Usage:**

- [Applies To](#) = Printed Circuit Board

**Other:**

- Brand = AMP

BOOKMARK

**Corporate Information**

- [Who We Are](#)
- [Investors](#)
- [News Room](#)
- [Supplier Portal](#)
- [Careers](#)

**Quick Links**

- [Check Distributor Inventory](#)
- [Cross Reference](#)
- [Find Documents & Drawings](#)
- [Product Compliance Support Center](#)
- [Site Map](#)

**Customer Support**

- [Email or Chat with Us](#)
- [Find a Phone Number](#)
- [Search Knowledge Base](#)
- [Manage Your Account](#)

**Sign up for our eNewsletter**

Enter your email address

**Follow Us On:**



Visit Us On:

