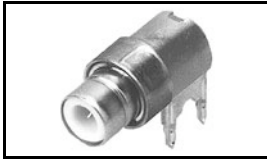


5221014-1 Product Details

[Share](#) [Print](#) [Email](#)



5221014-1

TE Internal Number:
5221014-1

 Active

SMB RF Connectors

 Always EU RoHS/ELV Compliant (Statement of Compliance)

Product Highlights:

- Connector - RF
- Jack
- Standard
- Applies To Printed Circuit Board
- Coupler Style = Quick Connect/Disconnect

[View all Features](#)

Quick Links

- ▶ [Pricing & Availability](#)
- ▶ [Search for Tooling](#)
- ▶ [Product Feature Selector](#)
- ▶ [Contact Us About This Product](#)

[Add to My Part List](#)

[Request Sample](#)

[Find Similar Products](#)

[Buy Product](#)

Documentation & Additional Information

Product Drawings:

- [CONNECTOR, PCB SERIES SMB](#) (PDF, English)

Catalog Pages/Data Sheets:

- None Available

Product Specifications:

- None Available

Application Specifications:

- None Available

Instruction Sheets:

- None Available

CAD Files:

- None Available

[List all Documents](#)

Additional Product Images:

- [PCB Layout](#)

Related Products:

- [Tooling](#)

Product Features (Please use the Product Drawing for all design activity)

Product Type Features:

- [Product Type](#) = Connector - RF
- [Gender](#) = Jack
- [Connector Series](#) = Standard
- [Grade](#) = Commercial
- [PCB Mounting Orientation](#) = Right Angle
- [PCB Mount Style](#) = Through Hole
- [Dielectric Material](#) = Fluoropolymer

Mechanical Attachment:

- [Panel Mount Retention](#) = Without

Electrical Characteristics:

- [Connector Impedance](#) (Ω) = 75

Body Features:

- [Coupler Style](#) = Quick Connect/Disconnect
- [Body Style](#) = Right Angle
- [Pin Protection](#) = Without
- [Body Plating](#) = Front-Nickel/Rear-Tin

Contact Features:

- [Center Contact Plating](#) = Gold (30)

Configuration Features:

- [Preloaded](#) = Yes
- [Solder Lug](#) = Without
- [Environmental Protection](#) = Without

Industry Standards:

- [RoHS/ELV Compliance](#) = RoHS compliant, ELV compliant
- [Lead Free Solder Processes](#) = Wave solder capable to 260°C, Wave solder capable to 240°C, Wave solder capable to 265°C
- [RoHS/ELV Compliance History](#) = Always was RoHS compliant

Conditions for Usage:

- [Applies To](#) = Printed Circuit Board

Other:

- Brand = AMP

Corporate Information

- [About TE](#)
- [Investors](#)
- [News Room](#)
- [Supplier Portal](#)
- [Careers](#)
- [Terms & Conditions](#)
- [Privacy Policy](#)

Quick Links

- [Distributor Inventory](#)
- [Product Cross Reference](#)
- [Documents & Drawings](#)
- [Product Compliance Support Center](#)
- [Site Map](#)

Customer Support

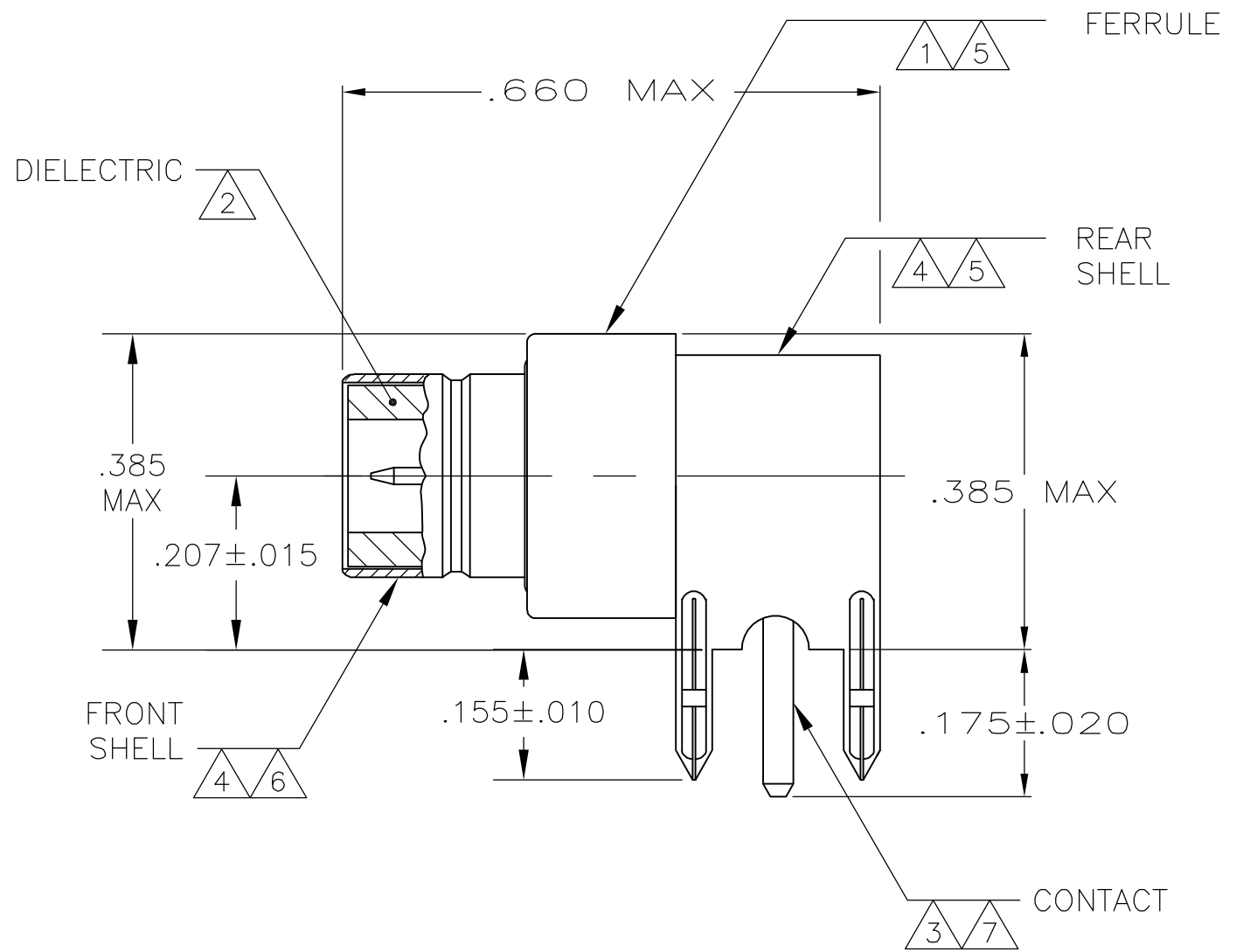
- [Email or Chat With Us](#)
- [Find a Phone Number](#)
- [Knowledge Base](#)
- [Manage Your Account](#)

Keep Me Informed

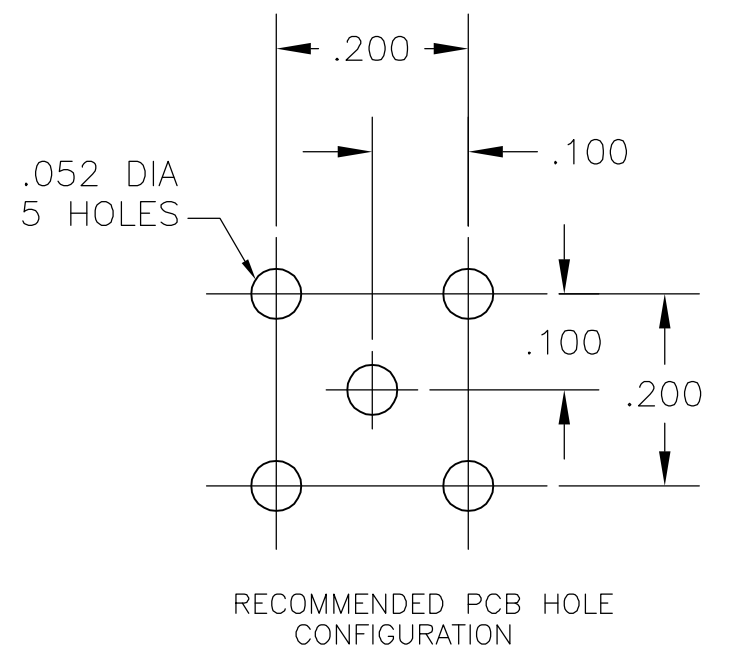


THIS DRAWING IS UNPUBLISHED. RELEASED FOR PUBLICATION
 © COPYRIGHT - BY TYCO ELECTRONICS CORPORATION. ALL RIGHTS RESERVED.

LOC	DIST	REVISIONS			
P	LTR	DESCRIPTION	DATE	DWN	APVD
		0	RELEASED PER 0S14-0496-04.	25JAN2005	JGH/JGH



- 1 COPPER PER ASTM-B-152.
- 2 POLYPROPYLENE, GENERAL PURPOSE.
- 3 BRASS PER ASTM-B-16.
- 4 BRASS PER ASTM-B-36.
- 5 TIN PLATE PER ASTM-B-545.
- 6 NICKEL PLATE PER QQ-N-290.
- 7 GOLD PLATE PER ASTM-B-488.



5221014-1
 PART NUMBER

THIS DRAWING IS A CONTROLLED DOCUMENT.		DWN J. HAVENER	24JAN2005	Tyco Electronics Corporation Harrisburg, PA 17105-3608															
DIMENSIONS: INCHES		CHK J. HAVENER	25JAN2005	NAME															
TOLERANCES UNLESS OTHERWISE SPECIFIED:		APVD J. HAVENER	25JAN2005	CONNECTOR, PCB SERIES SMB															
<table border="1"> <tr><td>0 PLC</td><td>± -</td></tr> <tr><td>1 PLC</td><td>± -</td></tr> <tr><td>2 PLC</td><td>± -</td></tr> <tr><td>3 PLC</td><td>± .002</td></tr> <tr><td>4 PLC</td><td>± -</td></tr> <tr><td>ANGLES</td><td>± -</td></tr> </table>		0 PLC	± -	1 PLC	± -	2 PLC	± -	3 PLC	± .002	4 PLC	± -	ANGLES	± -	PRODUCT SPEC		SIZE	CAGE CODE	DRAWING NO	RESTRICTED TO
0 PLC	± -																		
1 PLC	± -																		
2 PLC	± -																		
3 PLC	± .002																		
4 PLC	± -																		
ANGLES	± -																		
MATERIAL SEE NOTES		FINISH SEE NOTES		A3 00779		C-5221014	-												
CUSTOMER DRAWING				SCALE	SHEET	OF	REV												
				5:1	1	1	0												