

## 5222506-1 Product Details

[Share](#) [Print](#) [Email](#)



**5222506-1**

TE Internal Number: 5222506-1

Active

[View 3D PDF](#)

### TNC RF Connectors

Always EU RoHS/ELV Compliant  
(Statement of Compliance)

### Product Highlights:

- Connector - RF
- Plug
- Applies To Coaxial Cable
- Crimp Type = Hex
- Coaxial Cable Termination Type = Crimp

[View all Features](#)

### Quick Links

- ▶ [Pricing & Availability](#)
- ▶ [Search for Tooling](#)
- ▶ [Product Feature Selector](#)
- ▶ [Contact Us About This Product](#)

[Add to My Part List](#)

[Request Sample](#)

[Find Similar Products](#)

[Buy Product](#)

### Documentation & Additional Information

#### Product Drawings:

- [PLUG, HEX CRIMP, COML TNC](#) (PDF, English)

#### Catalog Pages/Data Sheets:

- [TNC Connectors](#) (PDF, English)

#### Product Specifications:

- None Available

#### Application Specifications:

- None Available

#### Instruction Sheets:

- None Available

#### CAD Files: [\(CAD Format & Compression Information\)](#)

- [2D Drawing](#) (DXF, Version 0)
- [3D Model](#) (IGES, Version 0)
- [3D Model](#) (STEP, Version 0)

[List all Documents](#)

#### Related Products:

- [Tooling](#)

### Product Features (Please use the Product Drawing for all design activity)

#### Product Type Features:

- [Product Type](#) = Connector - RF
- [Gender](#) = Plug
- [Weatherproof](#) = No
- [Grade](#) = Commercial
- [Dielectric Material](#) = Polypropylene

#### Mechanical Attachment:

- [Panel Mount Retention](#) = Without

#### Electrical Characteristics:

- [Connector Impedance](#) ( $\Omega$ ) = 50

#### Termination Features:

- [Crimp Type](#) = Hex
- [Coaxial Cable Termination Type](#) = Crimp

#### Body Features:

- [Body Style](#) = Straight

#### Contact Features:

- [Center Contact Plating](#) = Gold

#### Configuration Features:

- [Coaxial Cable Type \(RG/U or Mfg.\)](#) = 58, 58A, 58B, 58C
- [Solder Terminal](#) = Without

#### Industry Standards:

- [Government/Industry Qualification](#) = No
- [RoHS/ELV Compliance](#) = RoHS compliant, ELV compliant
- [Lead Free Solder Processes](#) = Not relevant for lead free process
- [RoHS/ELV Compliance History](#) = Always was RoHS compliant

#### Conditions for Usage:

- [Applies To](#) = Coaxial Cable

- [Body Plating](#) = Nickel

**Other:**

- Brand = AMP

---

**Corporate Information**

- [About TE](#)
- [Investors](#)
- [News Room](#)
- [Supplier Portal](#)
- [Careers](#)
- [Terms & Conditions](#)
- [Privacy Policy](#)

**Quick Links**

- [Distributor Inventory](#)
- [Product Cross Reference](#)
- [Documents & Drawings](#)
- [Product Compliance Support Center](#)
- [Site Map](#)

**Customer Support**

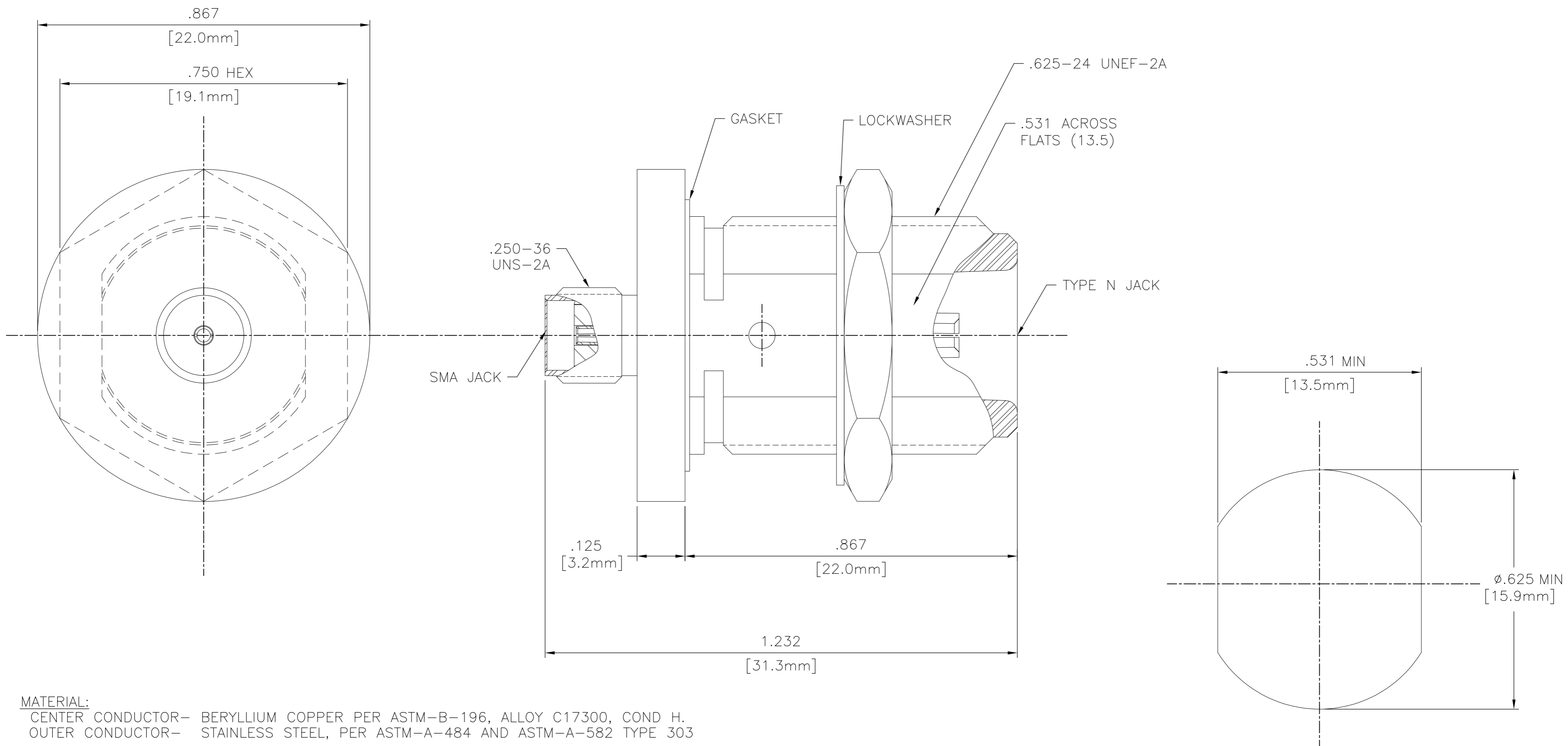
- [Email or Chat With Us](#)
- [Find a Phone Number](#)
- [Knowledge Base](#)
- [Manage Your Account](#)

**Keep Me Informed**



THIS DRAWING IS UNPUBLISHED. RELEASED FOR PUBLICATION  
 © COPYRIGHT - By - ALL RIGHTS RESERVED.

LOC		DIST		REVISIONS			
P	LTR	DESCRIPTION	DATE	DWN	APVD		
HC	00	A	ECR-12-005726	27MAR12	RK	MY	



**MATERIAL:**  
 CENTER CONDUCTOR- BERYLLIUM COPPER PER ASTM-B-196, ALLOY C17300, COND H.  
 OUTER CONDUCTOR- STAINLESS STEEL, PER ASTM-A-484 AND ASTM-A-582 TYPE 303

DIELECTRIC- PTFE PER ASTM-D-1457

**PLATING:**  
 INNER CONDUCTOR- GOLD PER MIL-G-45204  
 OUTER CONDUCTOR- PASSIVATED PER QQ-P-35

RECOMENDED MOUNTING HOLE

THIS DRAWING IS A CONTROLLED DOCUMENT.		DWN	25APR03	TE Connectivity	
		CHK	24APR03		
		APVD	24APR03		
		PRODUCT SPEC			
DIMENSIONS: INCHES		TOLERANCES UNLESS OTHERWISE SPECIFIED:		NAME	
0 PLC ± - 1 PLC ± - 2 PLC ± - 3 PLC ± .005 4 PLC ± - ANGLES ± 1°		MATERIAL - FINISH -		SMA JACK TO TYPE N JACK ADAPTER BULKHEAD FEEDTHROUGH (3684-2240-00)	
MATERIAL -		WEIGHT	-	SIZE	A2
		CUSTOMER DRAWING		CAGE CODE	00779
				DRAWING NO	C=1058675-1
				RESTRICTED TO	-
				SCALE	5:1
				SHEET	1 of 1
				REV	A