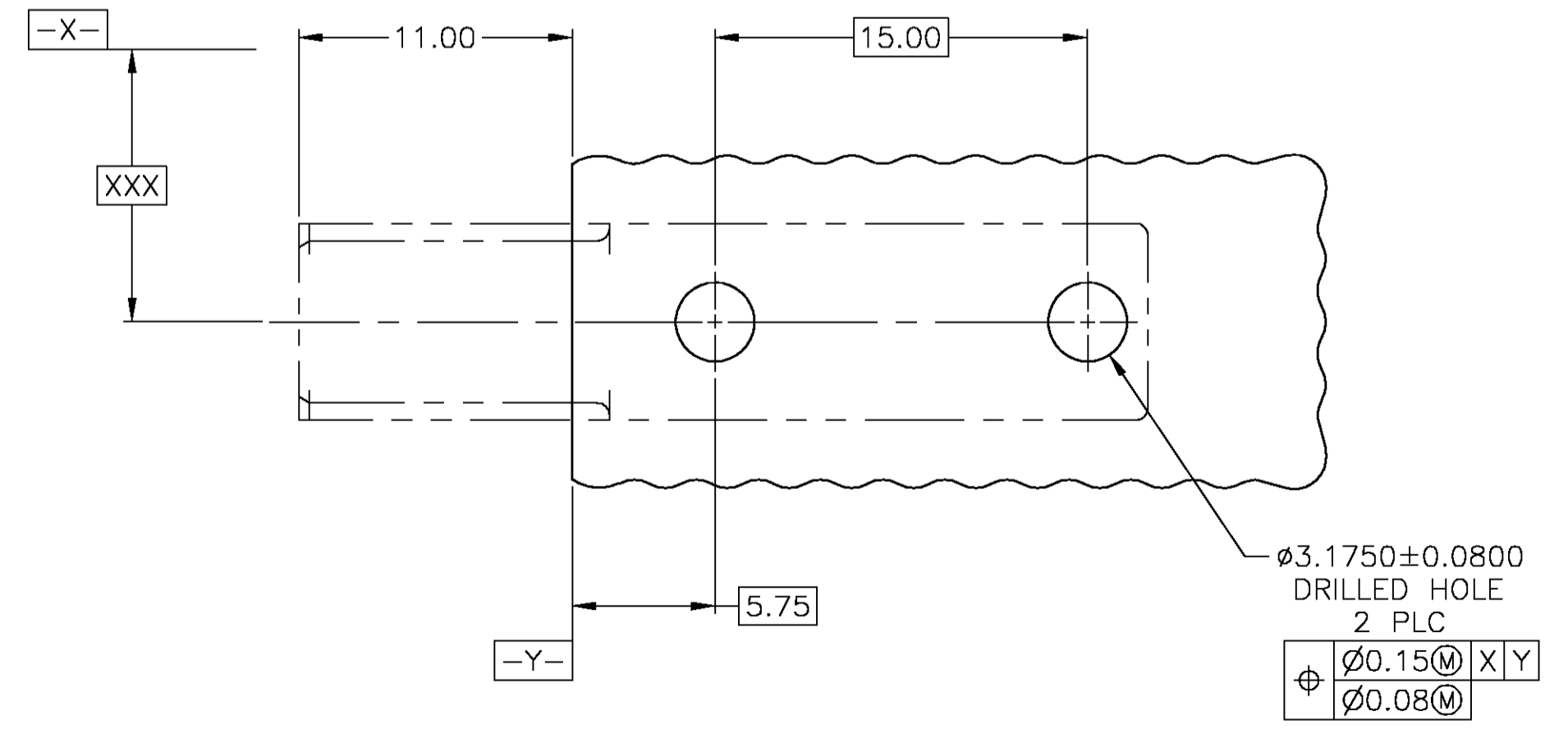
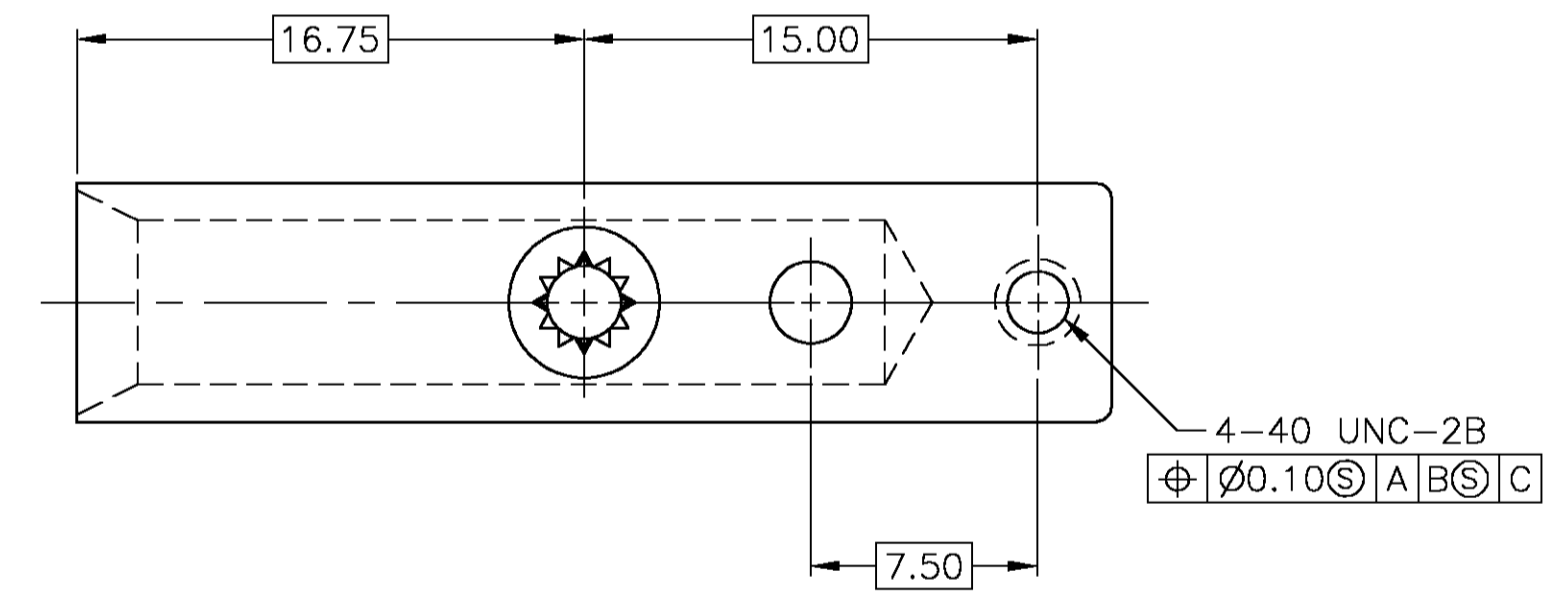
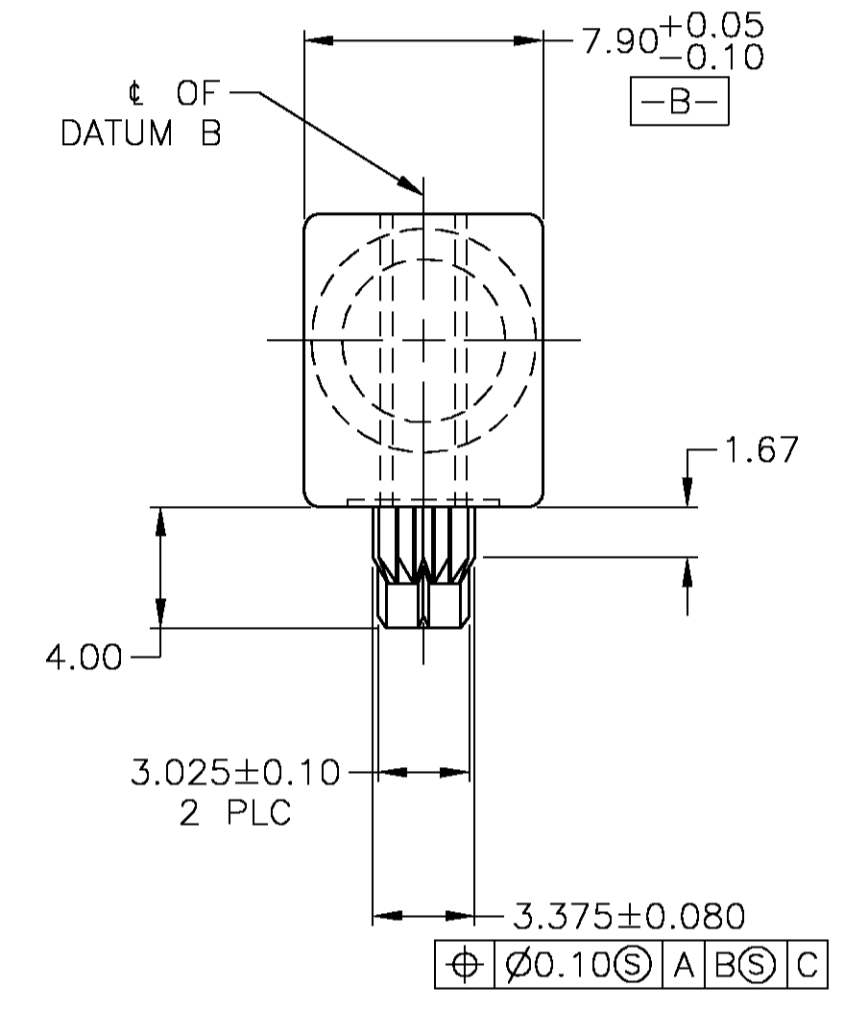
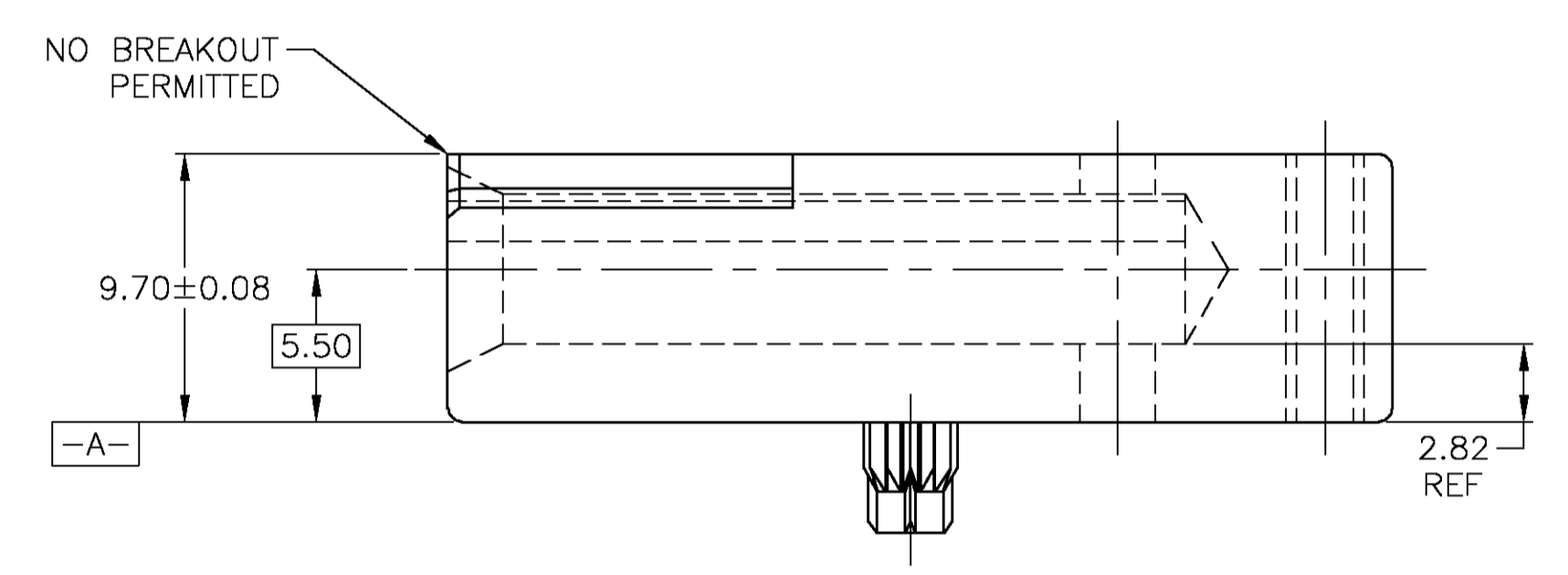
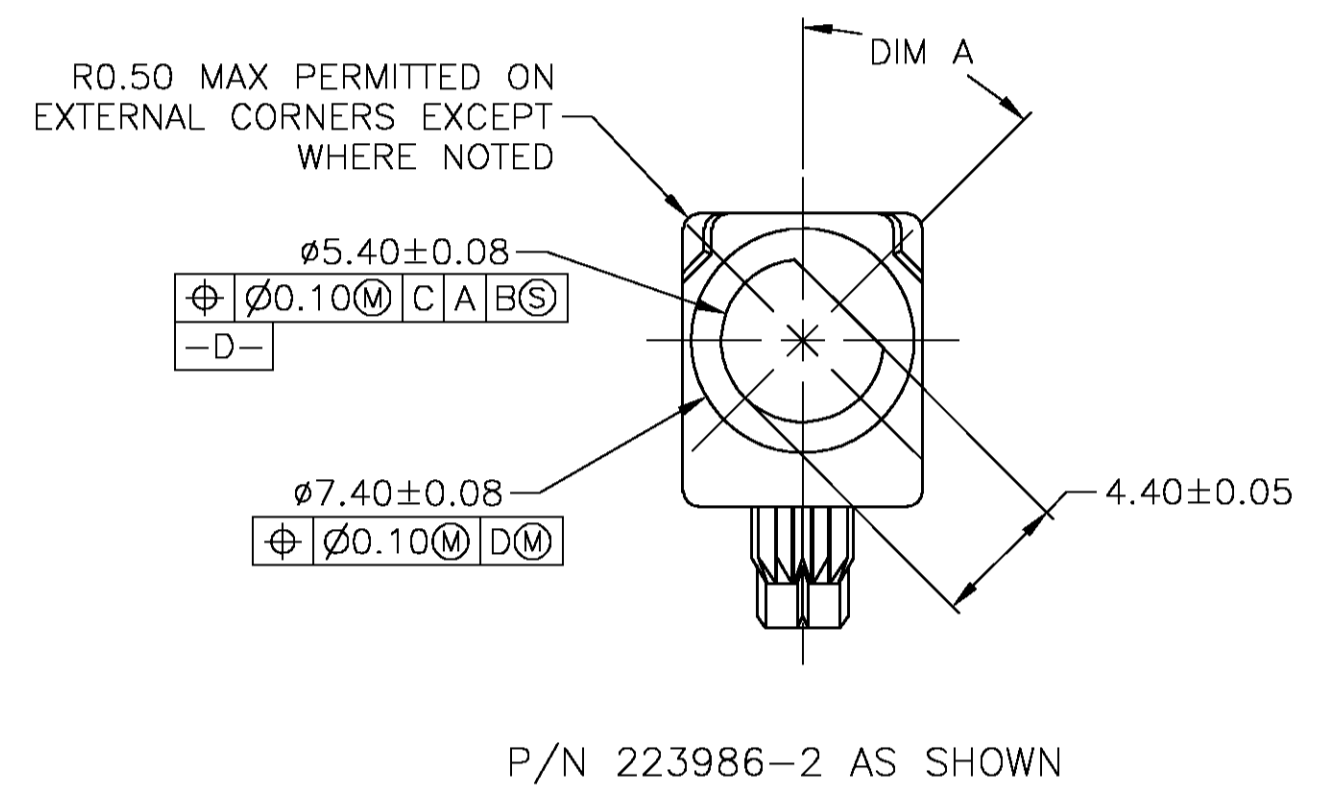


1 MATERIAL: ZINC ALLOY DIE CASTING.  
 2 SURFACE FINISH: CHROMATE CONVERSION COATING. (ROHS COMPATIBLE).



FOOT PRINT

KEYING POSN	DIM A	PART NUMBER
8	315'	5223986-8
7	270'	5223986-7
6	225'	5223986-6
5	180'	5223986-5
4	135'	5223986-4
3	90'	5223986-3
2	45'	5223986-2
1	0'	5223986-1

THIS DRAWING IS A CONTROLLED DOCUMENT.

DIMENSIONS:	TOLERANCES UNLESS OTHERWISE SPECIFIED:	DIN J. POLIGNONE DSAPROS	Tyco Electronics Corporation Harrisburg, PA, 17105-3608
MM	0 PLC ± - 1 PLC ± - 2 PLC ± 0.13 3 PLC ± - 4 PLC ± - ANGLES ± -	DSAPROS	
MATERIAL	FINISH	APVD R. PATTERSON DSAPROS	NAME
		APPLICATION SPEC	MODULE, FEMALE, UNIVERSAL POWER MODULE
		WEIGHT	SIZE CAGE CODE DRAWING NO RESTRICTED TO
		CUSTOMER DRAWING	A1 00779 C=5223986 -
			SCALE 4:1 SHEET 1 OF 1 REV 0