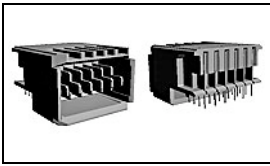


## 5223991-1 Product Details

[Share](#) [Print](#) [Email](#)



**5223991-1**

TE Internal Number: 5223991-1

Active

[View 3D PDF](#)

### Universal Power Modules

Always EU RoHS/ELV Compliant (Statement of Compliance)

#### Product Highlights:

- Connector
- Header
- Connector Style = Plug
- Contact Type = Blade
- 3 Positions

[View all Features](#)

### Quick Links

- ▶ [Pricing & Availability](#)
- ▶ [Search for Tooling](#)
- ▶ [Product Feature Selector](#)
- ▶ [Contact Us About This Product](#)

[Add to My Part List](#) [Request Sample](#) [Find Similar Products](#) [Buy Product](#)

### Documentation & Additional Information

#### Product Drawings:

- [ASSEMBLY, RIGHT ANGLE HEADER, W/ RETENTION PEGS, UNI...](#) (PDF, English)

#### Catalog Pages/Data Sheets:

- [2\\_PIECE\\_POWER\\_CONNECTORS\\_qrg\\_4-1773458-1](#) (PDF, English)

#### Product Specifications:

- None Available

#### Application Specifications:

- [Universal Power Module \(UPM\) Connectors](#) (PDF, English)

#### Instruction Sheets:

- None Available

#### CAD Files: [\(CAD Format & Compression Information\)](#)

- [2D Drawing](#) (DXF, Version 0)
- [3D Model](#) (IGES, Version 0)
- [3D Model](#) (STEP, Version 0)

[List all Documents](#)

#### Additional Information:

- [Product Line Information](#)

#### Related Products:

- [Tooling](#)

### Product Features (Please use the Product Drawing for all design activity)

#### Product Type Features:

- [Product Type](#) = Connector
- Connector Type = Header
- PCB Mounting Orientation = Right Angle
- [Keyed](#) = No
- PCB Mount Retention Type = Boardlock(s)
- Post Type = Compliant Post

#### Dimensions:

- Mating Post Length (Row A) (mm [in]) = 7.68 [0.302]
- Mating Post Length (Row B) (mm [in]) = 10.90 [0.429]
- Mating Post Length (Row C) (mm [in]) = 7.68 [0.302]

#### Contact Features:

- Contact Type = Blade
- Solder Tail Contact Plating = Tin
- Contact Base Material = Phosphor Bronze
- Contact Plating, Mating Area, Material = 1.27 Micro Gold

#### Housing Features:

- Connector Style = Plug
- Housing Material = Polyester
- Housing Color = Natural

#### Configuration Features:

- [Number of Positions](#) = 3

#### Industry Standards:

- [RoHS/ELV Compliance](#) = RoHS compliant, ELV compliant
- [Lead Free Solder Processes](#) = Not relevant for lead free process
- [RoHS/ELV Compliance History](#) = Always was RoHS compliant

#### Other:

- Brand = AMP
- Comment = Contact area lubricated with Bellcore approved lubricant.

### Corporate Information

- [About TE](#)
- [Investors](#)
- [News Room](#)
- [Supplier Portal](#)
- [Careers](#)
- [Terms & Conditions](#)
- [Privacy Policy](#)

### Quick Links

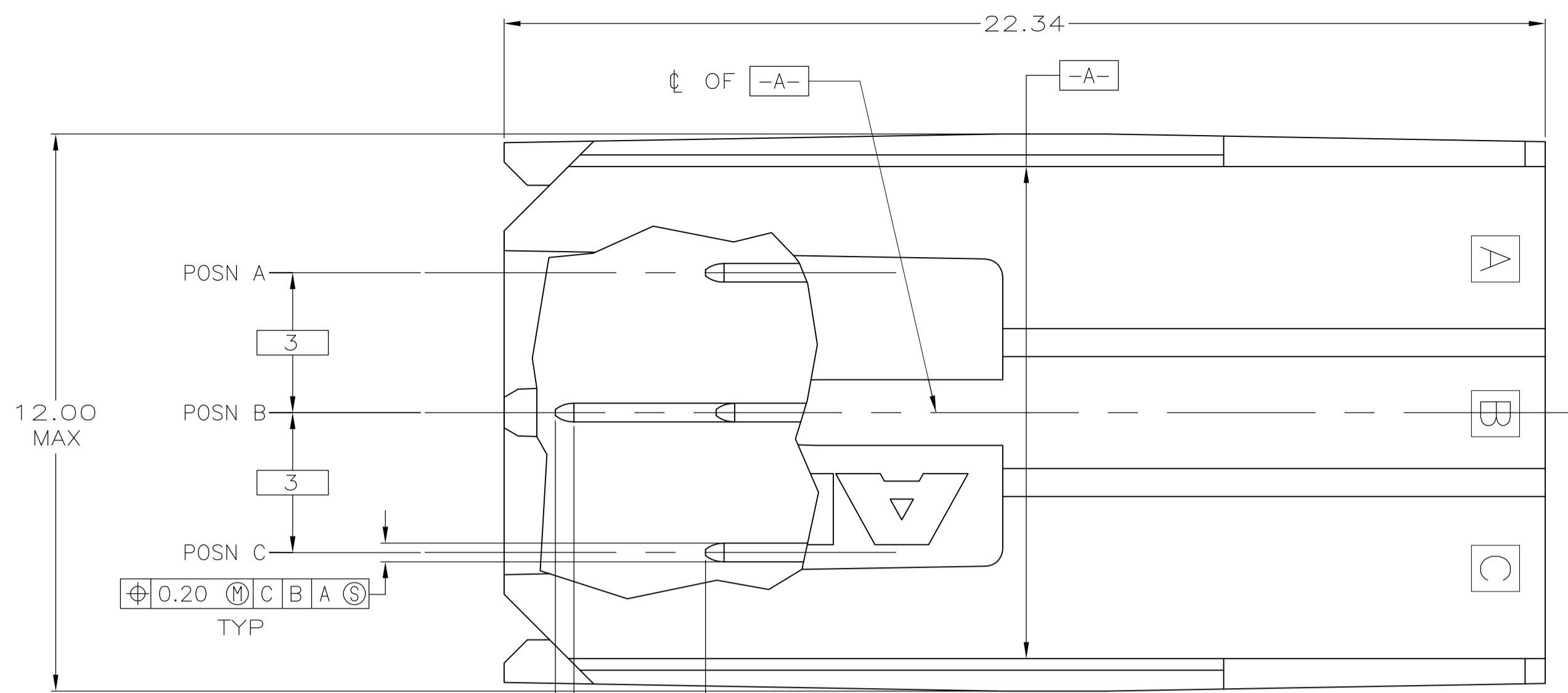
- [Distributor Inventory](#)
- [Product Cross Reference](#)
- [Documents & Drawings](#)
- [Product Compliance Support Center](#)
- [Site Map](#)

### Customer Support

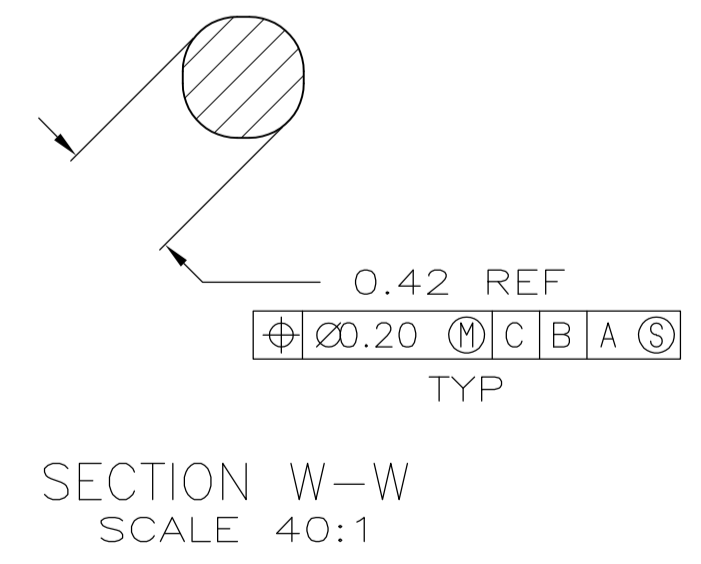
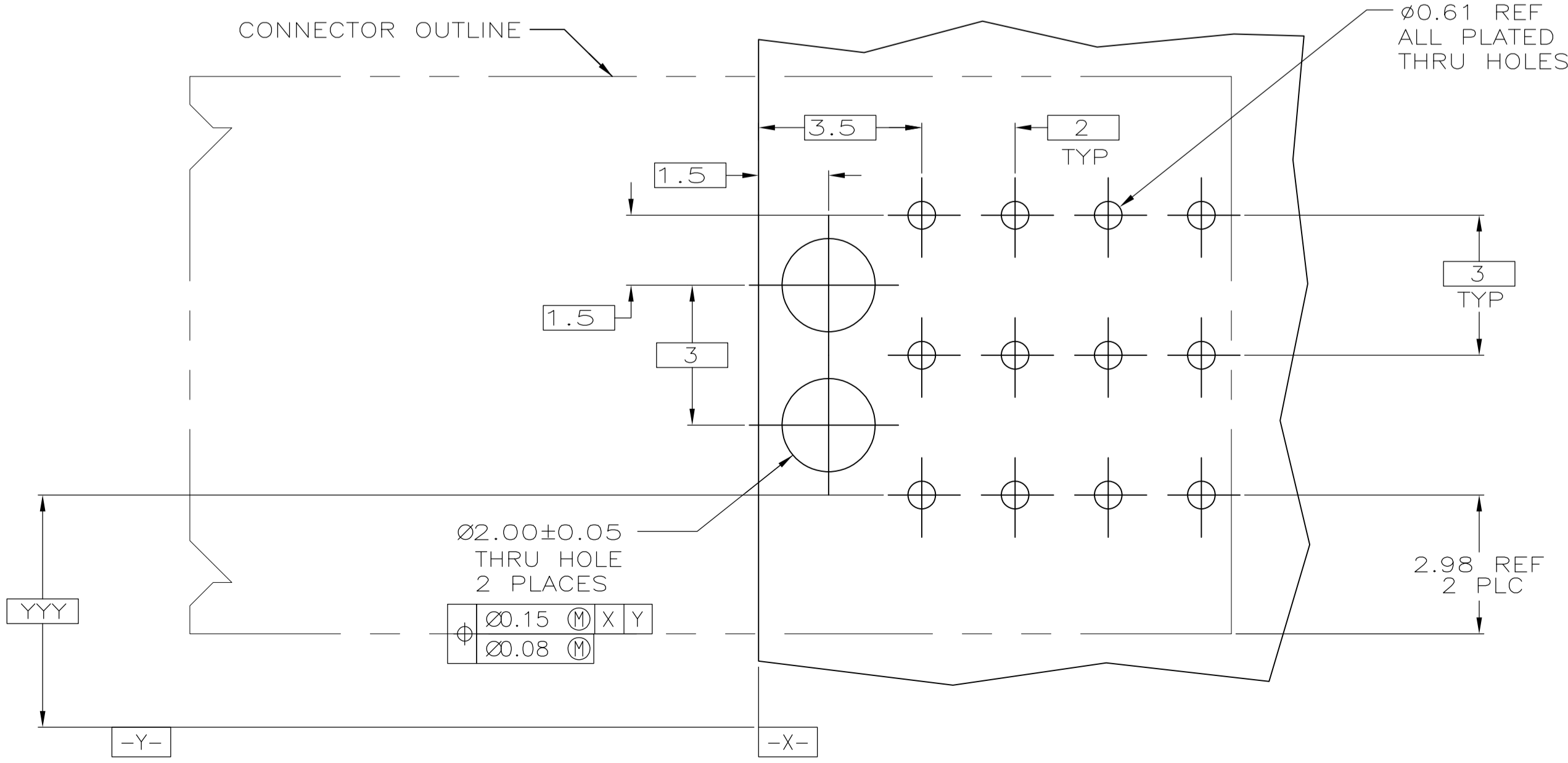
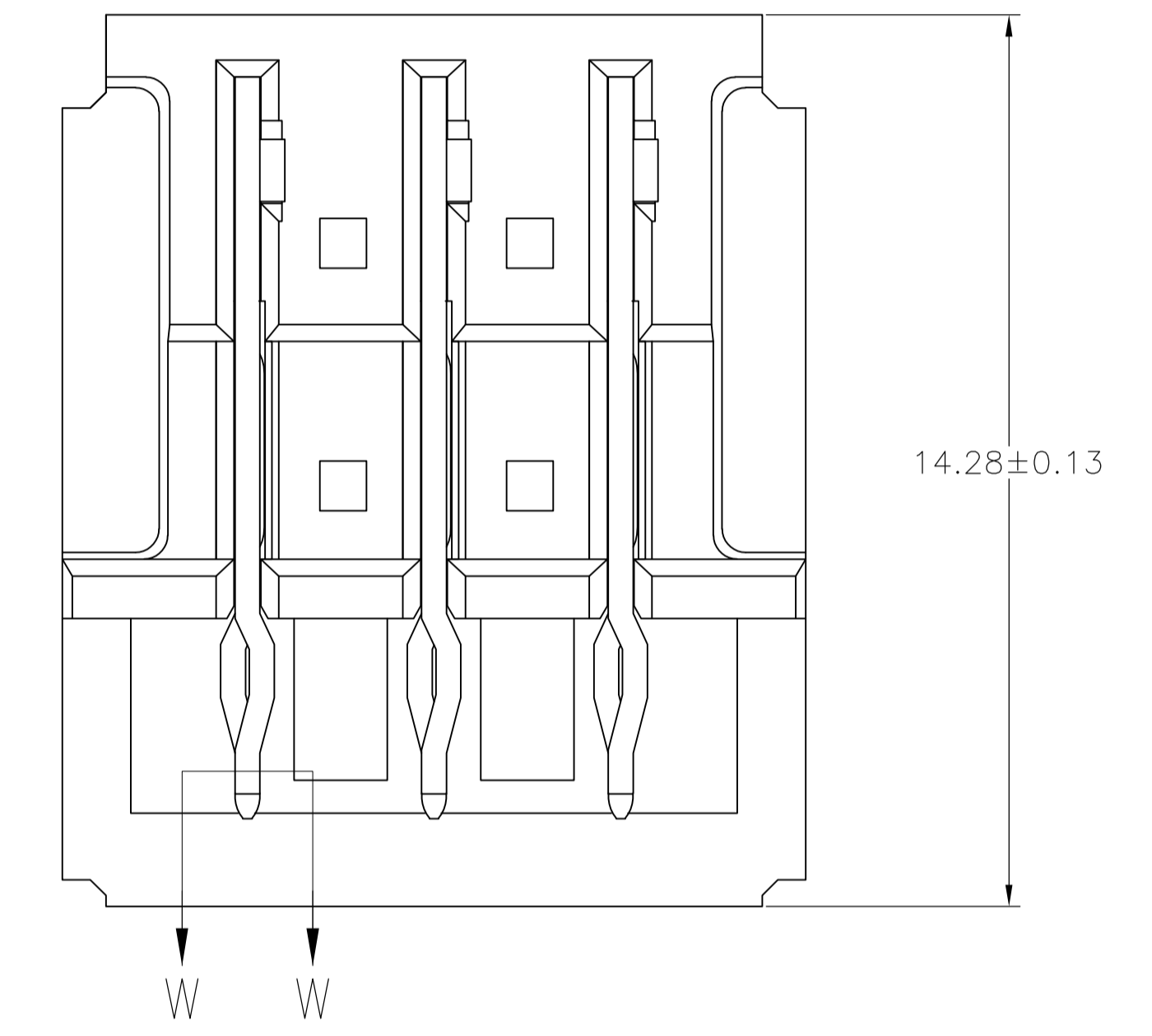
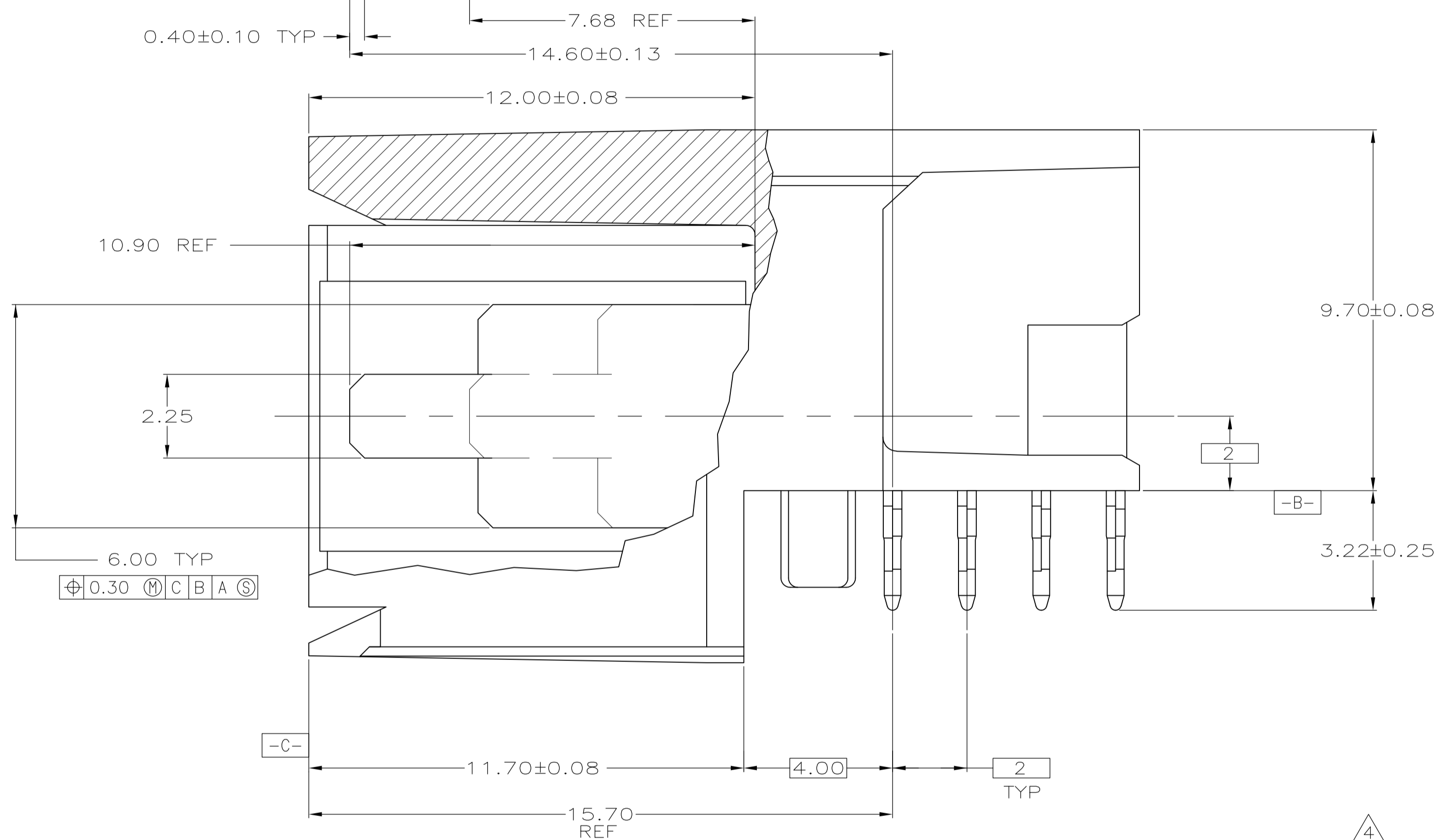
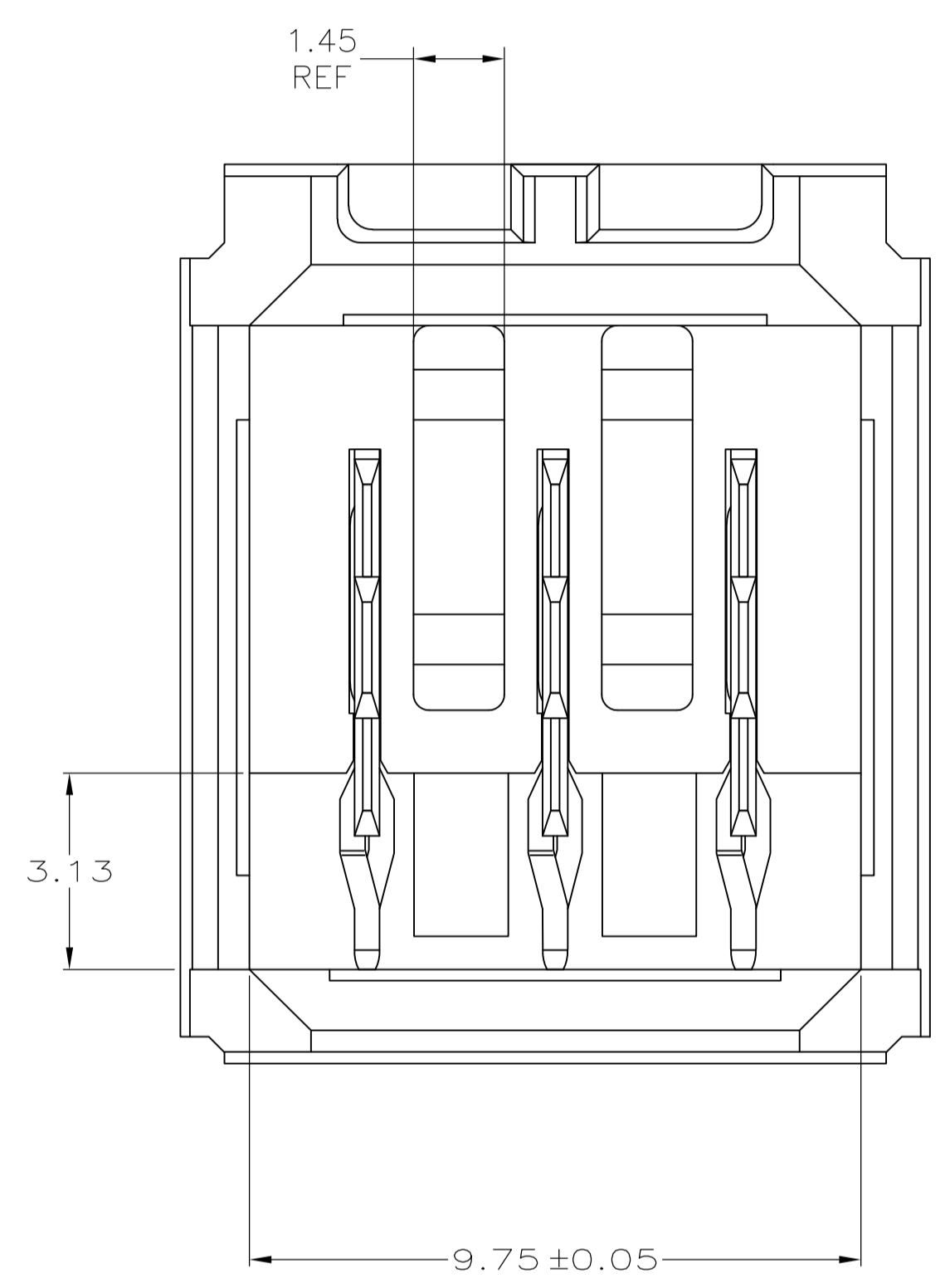
- [Email or Chat With Us](#)
- [Find a Phone Number](#)
- [Knowledge Base](#)
- [Manage Your Account](#)



Keep Me Informed



- 1 MATERIAL: HOUSING: POLYESTER. COLOR: GREY. UL 94V-0. CONTACT: PHOSPHOR BRONZE.
- 2 FINISH: CONTACT MATING AREA: 1.27 $\mu$ m MIN GOLD OR 0.08 $\mu$ m MIN GOLD OVER 0.76 $\mu$ m MIN PALLADIUM-NICKEL. ACTION PIN AREA: 0.5 $\mu$ m MIN TIN PLATE. ALL OVER 1.27 $\mu$ m MIN NICKEL UNDERPLATE.
- 3 FINISH: CONTACT LUBRICATION WITH BELLCORE APPROVED LUBRICANT. TECHNICAL REFERENCE: TR-NWT-001217 ISSUE 1, SEPT 1992.
- 4 REFERENCE APPLICATION SPEC 114-1103 FOR RECOMMENDED PLATED THRU HOLE DIAMETER AND PLATING THICKNESS.
- 5 CURRENT RATING 10A/CONTACT PER PRODUCT SPEC 108-1651.



5223991-1  
PART NUMBER

THIS DRAWING IS A CONTROLLED DOCUMENT.		DIN: B. CARBO 14DEC04	Tyco Electronics Corporation Tyco Electronics Corporation Harrisburg, Pa 17105-3608	
DIMENSIONS: mm		CHK: R. PATTERSON 14DEC04	NAME: R. PATTERSON 14DEC04	
TOLERANCES UNLESS OTHERWISE SPECIFIED:		PRODUCT SPEC: ASSEMBLY, RIGHT ANGLE HEADER, W/ RETENTION PEGS, UNIVERSAL POWER MODULE		
0. PLC $\pm$ -		APPLICATION SPEC: -		
1. PLC $\pm$ -		SIZE: A1		
2. PLC $\pm$ 0.13		CAGE CODE: 5223991		
3. PLC $\pm$ -		DRAWING NO: 00779		
4. PLC $\pm$ -		WEIGHT: -		
ANGLES: -		CUSTOMER DRAWING		
MATERIAL: 1		FINISH: 2, 3		SCALE: 10:1
				SHEET: 1 of 1
				REV: C