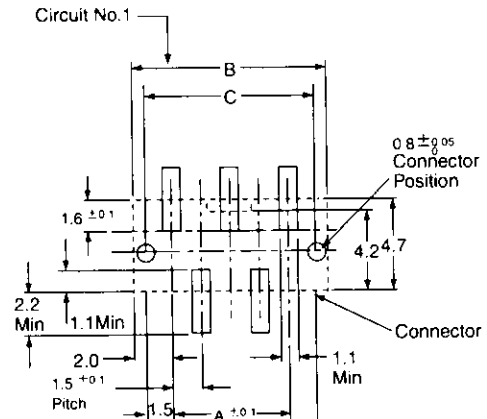
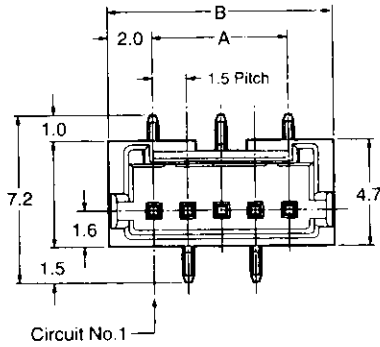


Wire to Board Connectors

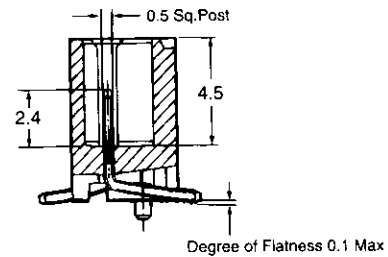
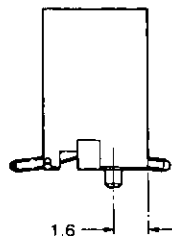
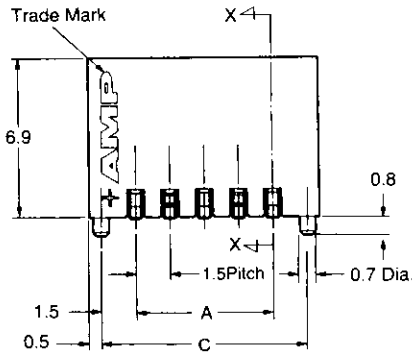
Mini CT (Common Termination) Connector System

Post Header Assemblies (Board-mount)

One-Row SMT Type /
Vertical-mount Type
(with bosses)



PC Board Layout (Component Side)
(Applicable board thickness=0.8mm Min.)

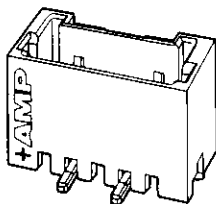


Section X-X

Material and Finish :

Housing — UL94V-0 rated,
glassfiber reinforced (heat-
resistant) Nylon, beige and
black

Post — Pre-tinned,
brass wire



No. of Pos.	Dimensions			Part No. of Post Header Assemblies*	
	A	B	C	Beige (Natural color)	Black
3	3.0	7.0	6.0	292230-3	5-292230-3
4	4.5	8.5	7.5	292230-4	5-292230-4
5	6.0	10.0	9.0	292230-5	5-292230-5
6	7.5	11.5	10.5	292230-6	5-292230-6
7	9.0	13.0	12.0	292230-7	5-292230-7
8	10.5	14.5	13.5	292230-8	5-292230-8
9	12.0	16.0	15.0	292230-9	5-292230-9
10	13.5	17.5	16.5	1-292230-0	6-292230-0
11	15.0	19.0	18.0	1-292230-1	6-292230-1
12	16.5	20.5	19.5	1-292230-2	6-292230-2
13	18.0	22.0	21.0	1-292230-3	6-292230-3
14	19.5	23.5	22.5	1-292230-4	6-292230-4
15	21.0	25.0	24.0	1-292230-5	6-292230-5
16	22.5	26.5	25.5	1-292230-6	6-292230-6
17	24.0	28.0	27.0	1-292230-7	6-292230-7
18	25.5	29.5	28.5	1-292230-8	6-292230-8
19	27.0	31.0	30.0	1-292230-9	6-292230-9
20	28.0	32.5	31.5	2-292230-0	7-292230-0

*Emboss tape mounted, 500 pcs.