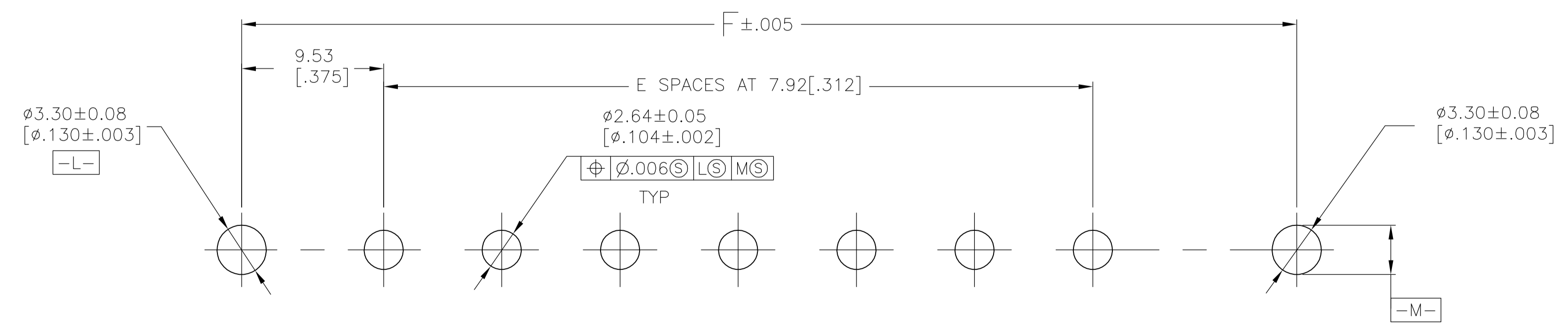
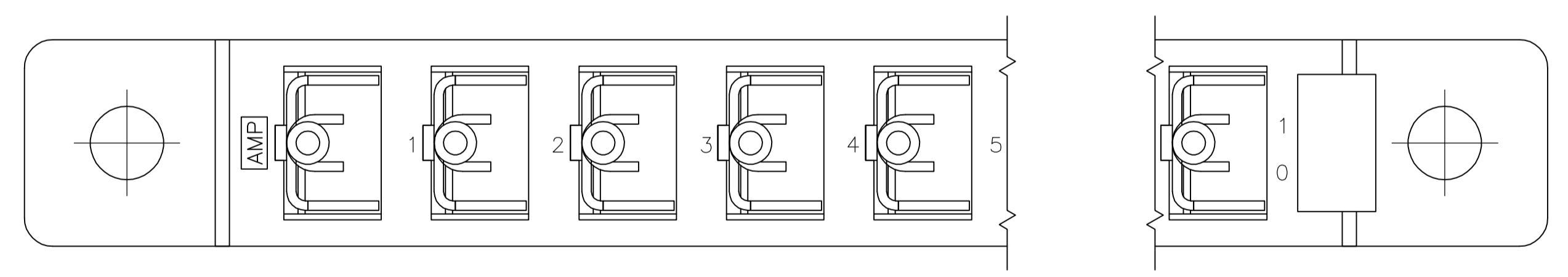
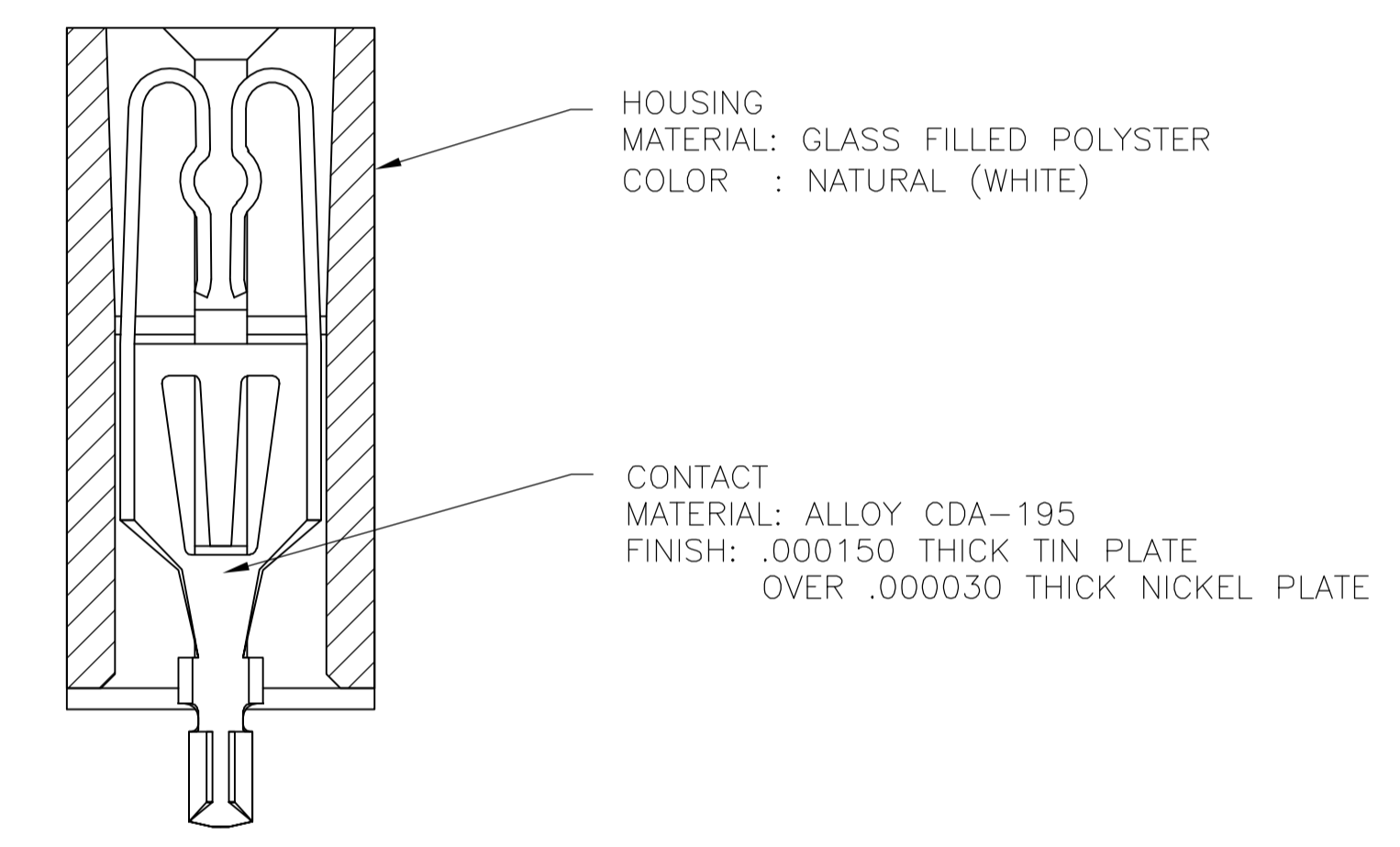
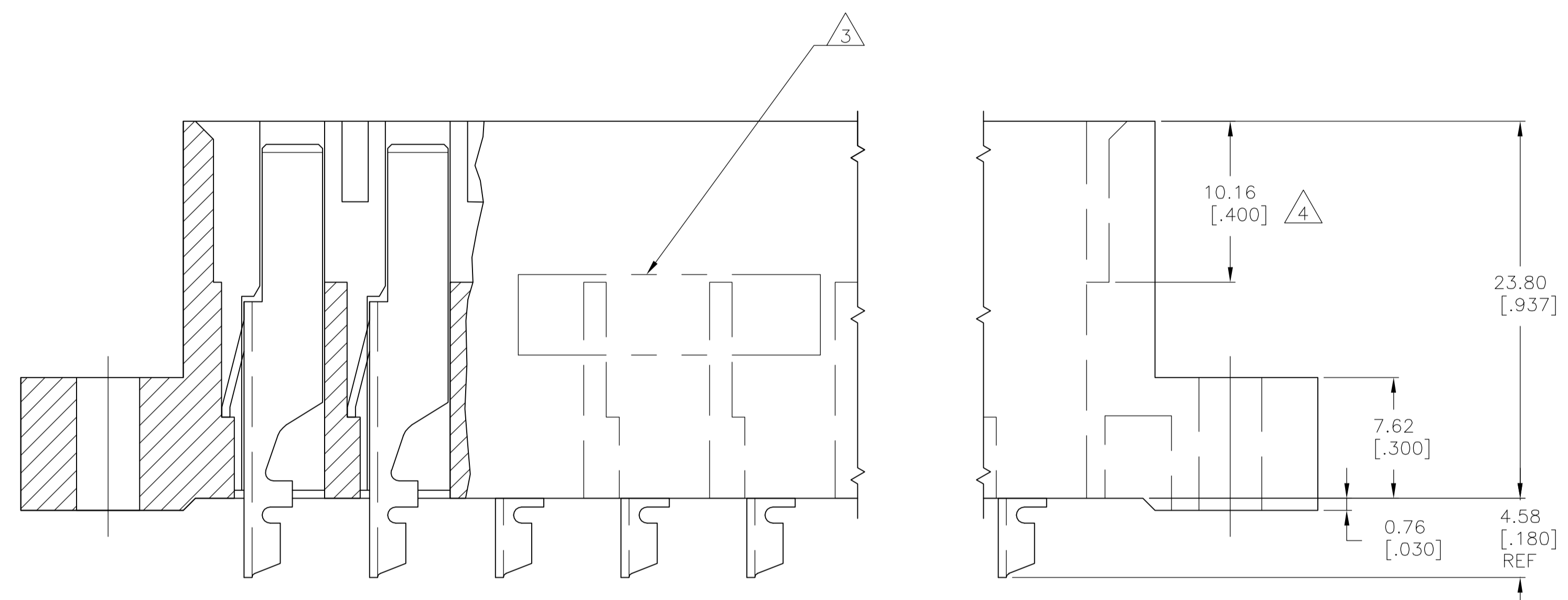


1. A 1/16" THICK DUMMY PC BOARD SHOULD BE INSERTED DURING SOLDERING.
2. MEASURE ACROSS MOUNTING EARS. MAY GOTO .020 OVER NOMINAL AT TOP OF THE HOUSING.
3. AVOID CORING OPTION.
4. MATTE TIN PLATED POST.



4.346	11	3.832	3.972	4.346	4.780	12	5-531353-9	
3.722	9	3.208	3.348	3.722	4.156	10	5-531353-8	
3.410	8	2.896	3.036	3.410	3.844	9	5-531353-7	
3.098	7	2.584	2.724	3.098	3.532	8	5-531353-6	
2.474	5	1.960	2.100	2.474	2.908	6	5-531353-5	
2.162	4	1.648	1.788	2.162	2.593	5	5-531353-4	
1.850	3	1.336	1.476	1.850	2.284	4	5-531353-3	
1.538	2	1.024	1.164	1.538	1.972	3	5-531353-2	
OBSOLETE	1.226	1	0.712	0.852	1.226	1.660	2	5-531353-1
4.346	11	3.832	3.972	4.346	4.780	12	531353-9	
3.722	9	3.208	3.348	3.722	4.156	10	531353-8	
3.410	8	2.896	3.036	3.410	3.844	9	531353-7	
3.098	7	2.584	2.724	3.098	3.532	8	531353-6	
2.474	5	1.960	2.100	2.474	2.908	6	531353-5	
2.162	4	1.648	1.788	2.162	2.593	5	531353-4	
1.850	3	1.336	1.476	1.850	2.284	4	531353-3	
1.538	2	1.024	1.164	1.538	1.972	3	531353-2	
1.226	1	0.712	0.852	1.226	1.660	2	531353-1	
F	E	D	C	B	A	NO. OF POSN	PART NUMBER	

THIS DRAWING IS A CONTROLLED DOCUMENT.

DIMENSIONS: mm [INCHES]	TOLERANCES UNLESS OTHERWISE SPECIFIED:	DIN R BROWN 230CT94	tyco Electronics	Tyco Electronics Corporation Harrisburg, Pa 17105-3608
0 PLC ± -	1 PLC ± -	CHK C MOSHER 230CT94	APVD C MOSHER 230CT94	NAME
2 PLC ± -	3 PLC ± .005	APVD C MOSHER 230CT94	PRODUCT SPEC	CONNECTOR ASSEMBLY, HIGH CURRENT
4 PLC ± -	ANGLES ± °	FINISH SEE CALLOUTS	APPLICATION SPEC	SIZE CASE CODE DRAWING NO
MATERIAL SEE CALLOUTS	FINISH SEE CALLOUTS	WEIGHT	RESTRICTED TO	A1 00779 531353
CUSTOMER DRAWING			SCALE 4:1	SHEET 1 OF 1 REV H