

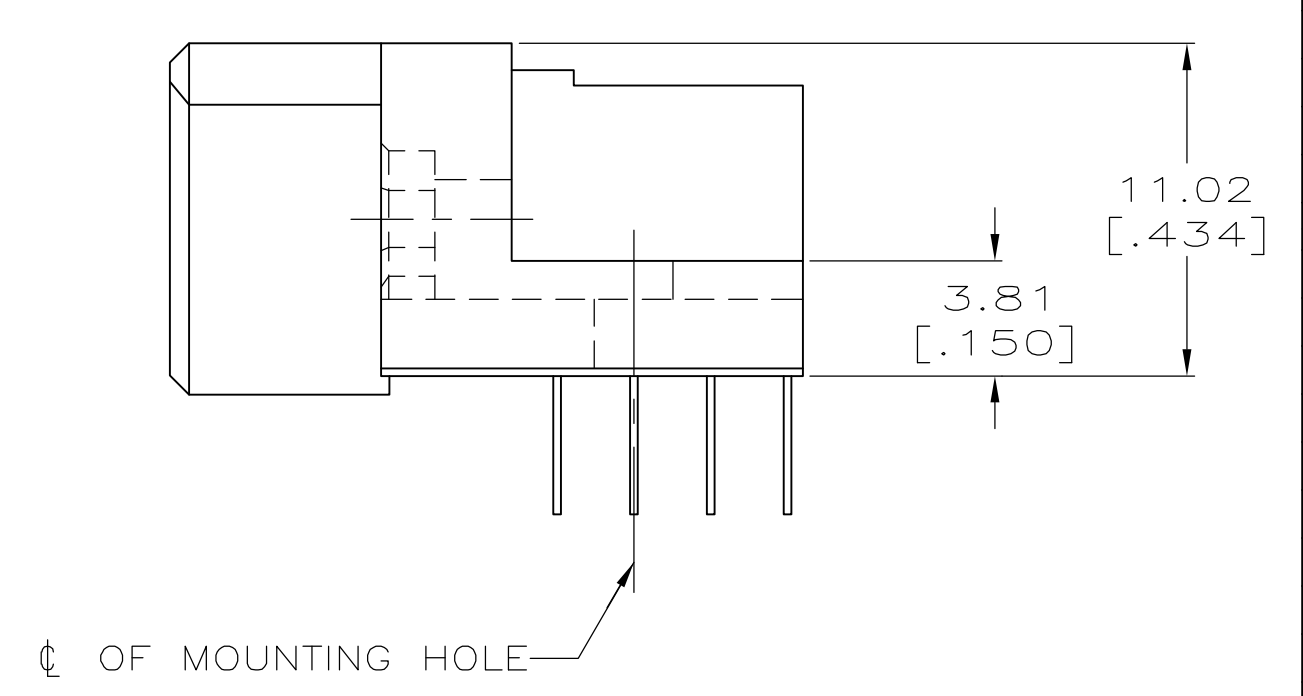
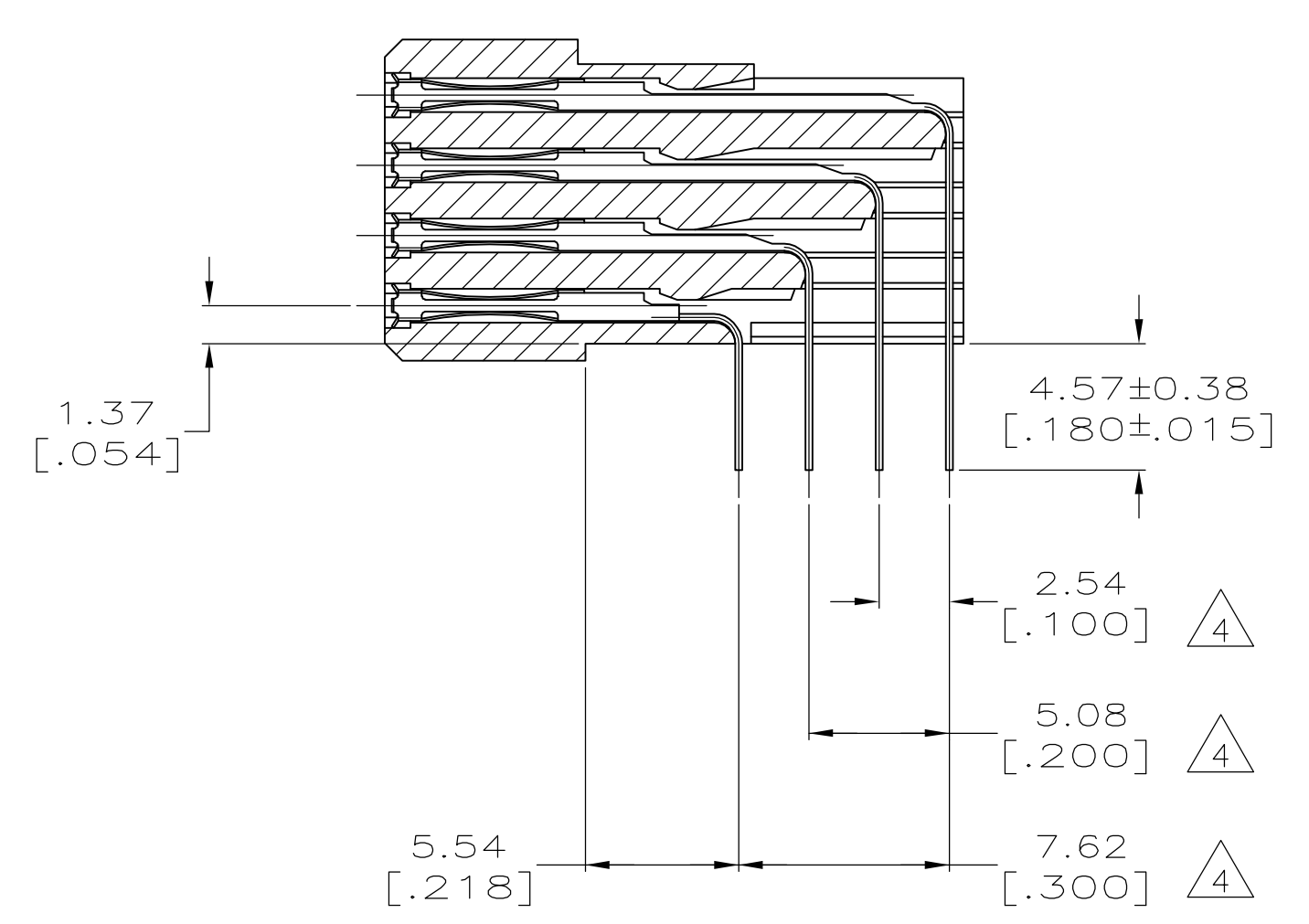
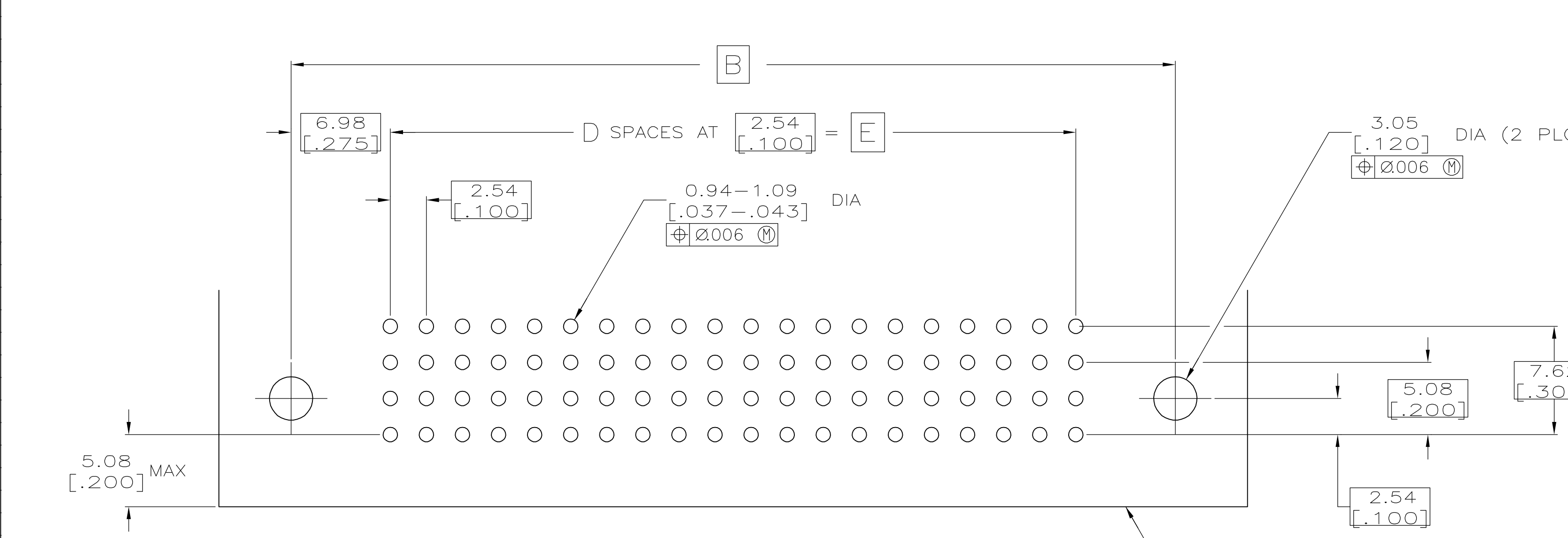
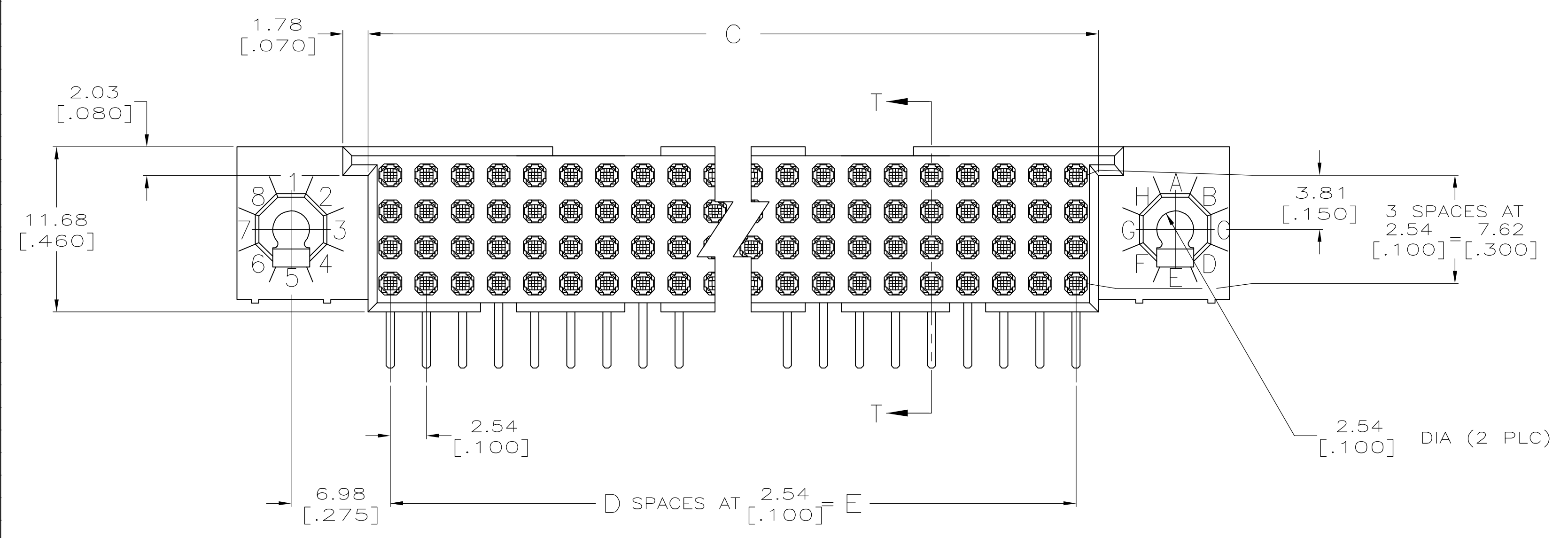
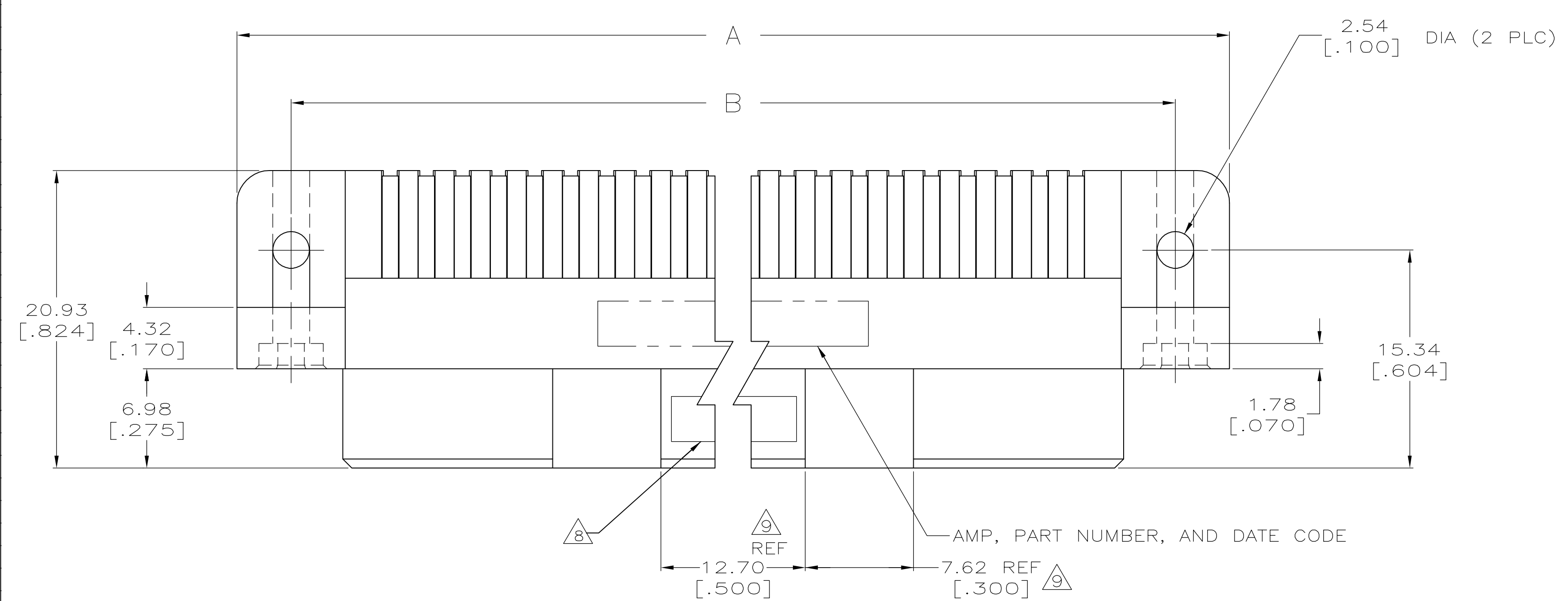
Distributed by:

**JAMECO**<sup>®</sup>  
ELECTRONICS

**www.Jameco.com ♦ 1-800-831-4242**

The content and copyrights of the attached  
material are the property of its owner.

Jameco Part Number 754064



SECTION T-T

RECOMMENDED P.C. BOARD LAYOUT

THIS DRAWING IS A CONTROLLED DOCUMENT.		DWN R.K. SEIFRIED 06/14/90		Tyco Electronics Corporation Harrisburg, PA 17105-3608	
DIMENSIONS: mm [INCHES]		CHK J.D. WEARY 02/26/92		NAME	HDI, 4 ROW, RECEPTACLE ASSEMBLY, 4.57 [.180] LONG SOLDER TAILS, .00076 [.000030] GOLD PLATE
TOLERANCES UNLESS OTHERWISE SPECIFIED:		APVD	PRODUCT SPEC	SIZE	
0 PLC ± - 1 PLC ± - 2 PLC ± - 3 PLC ± 0.13 [.005] 4 PLC ± - ANGLES ± -		APPLICATION SPEC	WEIGHT	DRAWING NO	
MATERIAL		FINISH	RESTRICTED TO	A1 00779 C=532434	
CUSTOMER DRAWING		SCALE 4:1	SHEET 1 OF 2	REV R	

- ① HOUSING MATERIAL: THERMOPLASTIC, COLOR: NATURAL.
- ② CONTACT MATERIAL: COPPER ALLOY.
- ③ CONTACT FINISH: .00127-.00254 [.000050-.000100] NICKEL UNDERPLATE ALL OVER, .000076 [.000030] GOLD PLATE IN CONTACT AREA, TIN-LEAD PLATED SOLDER TAILS.
- ④ SOLDER TAILS MUST FIT HOLE PATTERN AS SHOWN ON THE RECOMMENDED P.C. BOARD LAYOUT.
- 5. DIMENSIONS IN BRACKETS ARE IN INCHES.
- ⑥ HOUSINGS WITH CENTER MOUNTING IS RECOMMENDED FOR ASSEMBLIES HAVING 75 CONTACTS OR MORE PER ROW.
- ⑦ OBSOLETE PART NUMBER.
- ⑧ DATE CODE MAY BE LOCATED IN THIS APPROXIMATE AREA FOR THIS PART NUMBER.
- ⑨ QUANTITIES OF VOID CORING ARE DEPENDENT ON THE POSITION SIZE OF THE HOUSING.

POSN	DESCRIPTION	DATE	BY	APPV
2-532434-5				
2-532434-4				
2-532434-3				
2-532434-2				
2-532434-1				
2-532434-0				
1-532434-9				
1-532434-8				
1-532434-7				
1-532434-6				
1-532434-5				
1-532434-4				
1-532434-3				
1-532434-2				
1-532434-1				
1-532434-0				
532434-9				
532434-8				
532434-7				
532434-6				
532434-5				
532434-4				
532434-3				
532434-2				
532434-1				
532434-0				

THIS DRAWING IS A CONTROLLED DOCUMENT.		DWN: R.K. SEIFRIED 06/14/90 CHK: J.D. WEARY 02/26/92 APVD: _____		<b>tyco</b> Tyco Electronics Corporation Harrisburg, PA 17105-3608	
DIMENSIONS: mm [INCHES] TOLERANCES UNLESS OTHERWISE SPECIFIED: 0 PLC ± - 1 PLC ± - 2 PLC ± - 3 PLC ± 0.13 [.005] 4 PLC ± - ANGLES ± -		PRODUCT SPEC: _____ APPLICATION SPEC: _____ SIZE: _____ WEIGHT: _____		NAME: HDI, 4 ROW, RECEPTACLE ASSEMBLY, 4.57 [.180] LONG SOLDER TAILS, .00076 [.000030] GOLD PLATE DRAWING NO: 00779 PART NUMBER: 532434	
MATERIAL: ①②		FINISH: ③		CUSTOMER DRAWING	
SCALE: 4:1		SHEET: 2 OF 2		REV: R	