

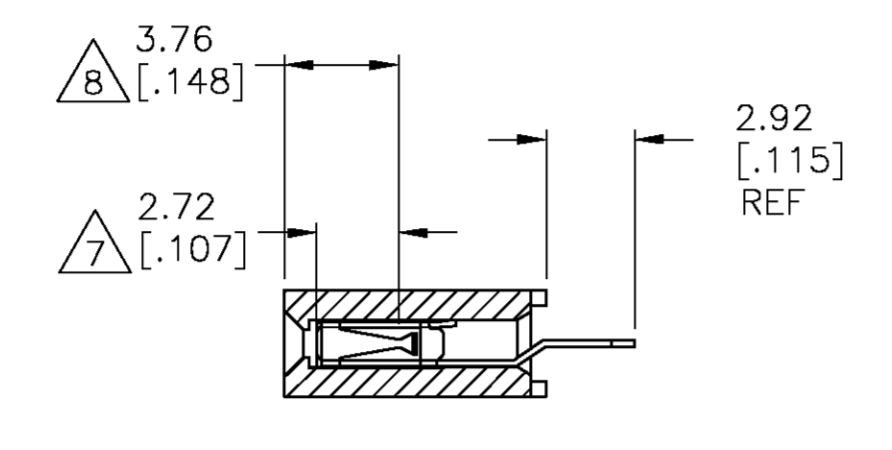
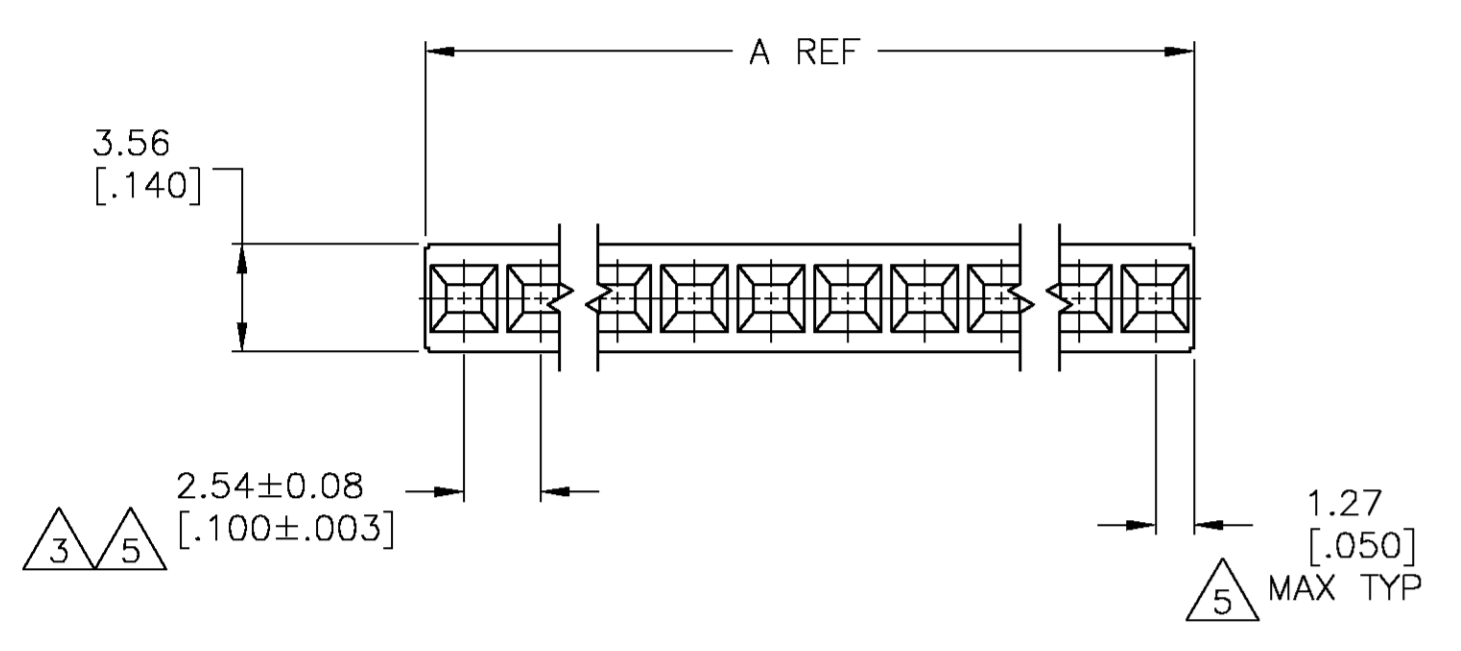
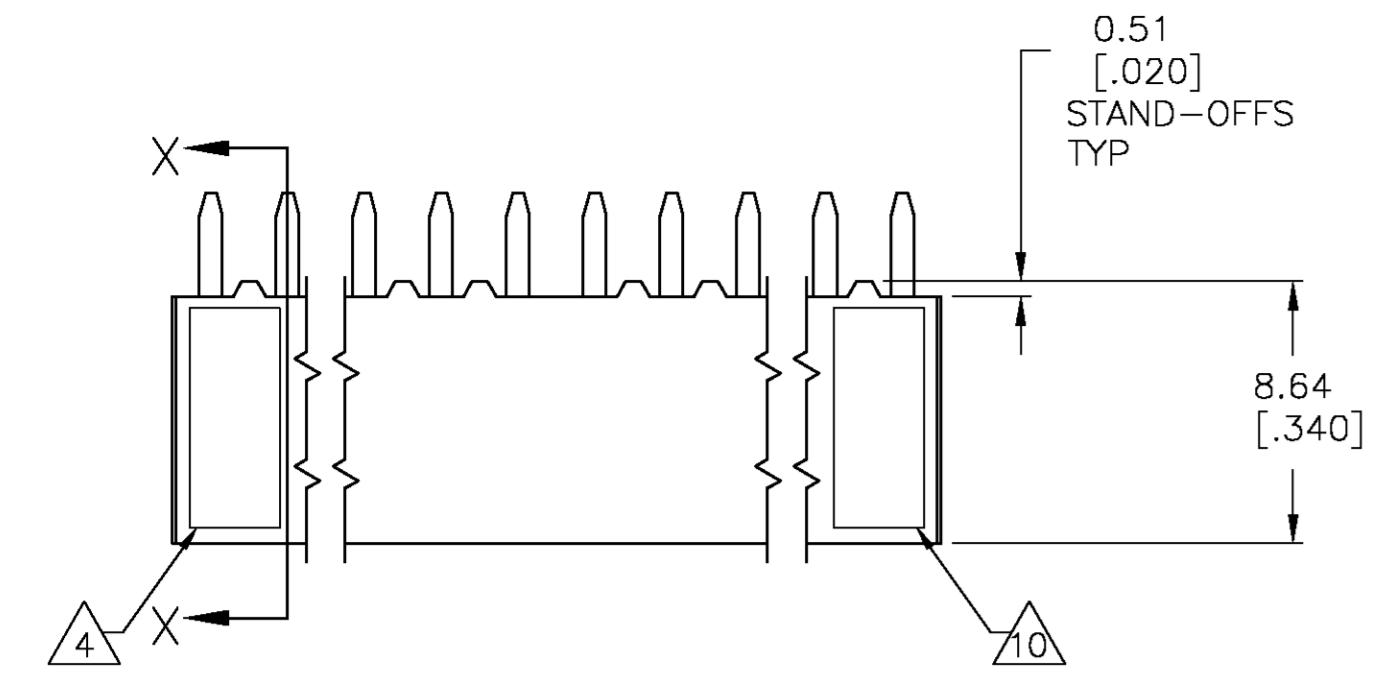
Distributed by:

JAMECO[®]
ELECTRONICS

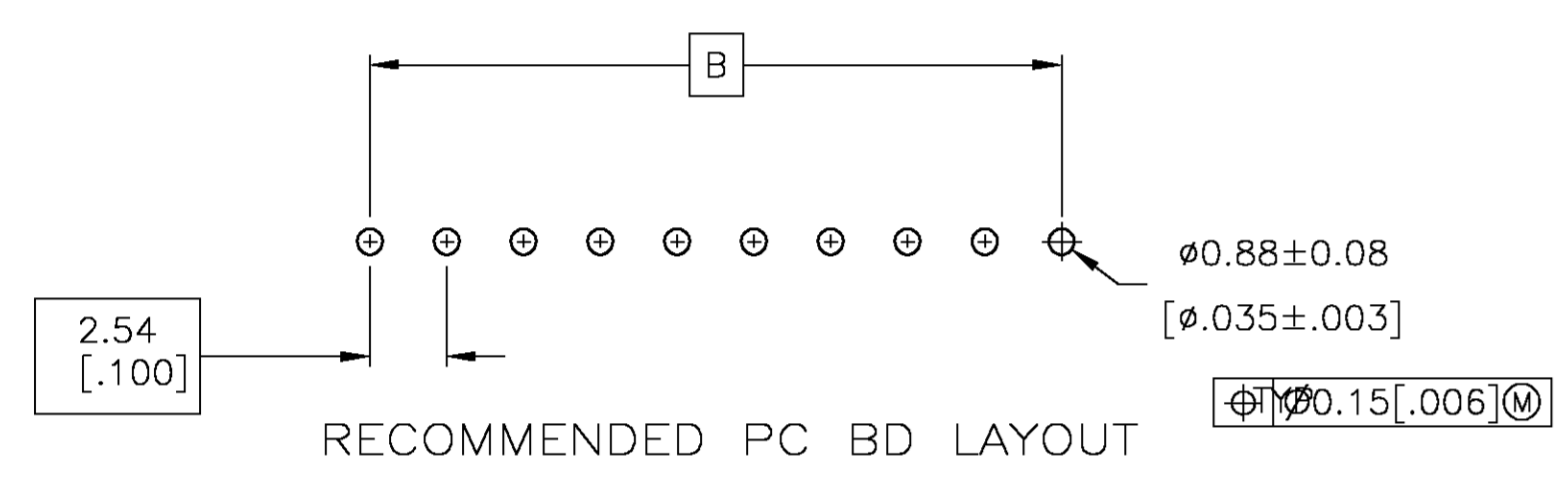
www.Jameco.com ♦ 1-800-831-4242

The content and copyrights of the attached
material are the property of its owner.

Jameco Part Number 851358



SECTION X-X



2.54 [.100]	5.08 [.200]	2	12	8-534237-9
99.06 [3.900]	101.60 [4.000]	40	12	8-534237-8
96.52 [3.800]	99.06 [3.900]	39	12	8-534237-7
93.98 [3.700]	96.52 [3.800]	38	12	8-534237-6
91.44 [3.600]	93.98 [3.700]	37	12	8-534237-5
88.90 [3.500]	91.44 [3.600]	36	12	8-534237-4
86.36 [3.400]	88.90 [3.500]	35	12	8-534237-3
83.82 [3.300]	86.36 [3.400]	34	12	8-534237-2
81.28 [3.200]	83.82 [3.300]	33	12	8-534237-1
78.74 [3.100]	81.28 [3.200]	32	12	8-534237-0
76.20 [3.000]	78.74 [3.100]	31	12	7-534237-9
73.66 [2.900]	76.20 [3.000]	30	12	7-534237-8
71.12 [2.800]	73.66 [2.900]	29	12	7-534237-7
68.58 [2.700]	71.12 [2.800]	28	12	7-534237-6
66.04 [2.600]	68.58 [2.700]	27	12	7-534237-5
63.50 [2.500]	66.04 [2.600]	26	12	7-534237-4
60.96 [2.400]	63.50 [2.500]	25	12	7-534237-3
58.42 [2.300]	60.96 [2.400]	24	12	7-534237-2
55.88 [2.200]	58.42 [2.300]	23	12	7-534237-1
53.34 [2.100]	55.88 [2.200]	22	12	7-534237-0
50.80 [2.000]	53.34 [2.100]	21	12	6-534237-9
48.26 [1.900]	50.80 [2.000]	20	12	6-534237-8
45.72 [1.800]	48.26 [1.900]	19	12	6-534237-7
43.18 [1.700]	45.72 [1.800]	18	12	6-534237-6
40.64 [1.600]	43.18 [1.700]	17	12	6-534237-5
38.10 [1.500]	40.64 [1.600]	16	12	6-534237-4
35.56 [1.400]	38.10 [1.500]	15	12	6-534237-3
33.02 [1.300]	35.56 [1.400]	14	12	6-534237-2
30.48 [1.200]	33.02 [1.300]	13	12	6-534237-1
27.94 [1.100]	30.48 [1.200]	12	12	6-534237-0
25.40 [1.000]	27.94 [1.100]	11	12	5-534237-9
22.86 [.900]	25.40 [1.000]	10	12	5-534237-8
20.32 [.800]	22.86 [.900]	9	12	5-534237-7
17.78 [.700]	20.32 [.800]	8	12	5-534237-6
15.24 [.600]	17.78 [.700]	7	12	5-534237-5
12.70 [.500]	15.24 [.600]	6	12	5-534237-4
10.16 [.400]	12.70 [.500]	5	12	5-534237-3
7.62 [.300]	10.16 [.400]	4	12	5-534237-2
5.08 [.200]	7.62 [.300]	3	12	5-534237-1
B	A	NO OF POSN	PART NUMBER	

2.54 [.100]	5.08 [.200]	2	6	3-534237-9
99.06 [3.900]	101.60 [4.000]	40	6	3-534237-8
96.52 [3.800]	99.06 [3.900]	39	6	3-534237-7
93.98 [3.700]	96.52 [3.800]	38	6	3-534237-6
91.44 [3.600]	93.98 [3.700]	37	6	3-534237-5
88.90 [3.500]	91.44 [3.600]	36	6	3-534237-4
86.36 [3.400]	88.90 [3.500]	35	6	3-534237-3
83.82 [3.300]	86.36 [3.400]	34	6	3-534237-2
81.28 [3.200]	83.82 [3.300]	33	6	3-534237-1
78.74 [3.100]	81.28 [3.200]	32	6	3-534237-0
76.20 [3.000]	78.74 [3.100]	31	6	2-534237-9
73.66 [2.900]	76.20 [3.000]	30	6	2-534237-8
71.12 [2.800]	73.66 [2.900]	29	6	2-534237-7
68.58 [2.700]	71.12 [2.800]	28	6	2-534237-6
66.04 [2.600]	68.58 [2.700]	27	6	2-534237-5
63.50 [2.500]	66.04 [2.600]	26	6	2-534237-4
60.96 [2.400]	63.50 [2.500]	25	6	2-534237-3
58.42 [2.300]	60.96 [2.400]	24	6	2-534237-2
55.88 [2.200]	58.42 [2.300]	23	6	2-534237-1
53.34 [2.100]	55.88 [2.200]	22	6	2-534237-0
50.80 [2.000]	53.34 [2.100]	21	6	1-534237-9
48.26 [1.900]	50.80 [2.000]	20	6	1-534237-8
45.72 [1.800]	48.26 [1.900]	19	6	1-534237-7
43.18 [1.700]	45.72 [1.800]	18	6	1-534237-6
40.64 [1.600]	43.18 [1.700]	17	6	1-534237-5
38.10 [1.500]	40.64 [1.600]	16	6	1-534237-4
35.56 [1.400]	38.10 [1.500]	15	6	1-534237-3
33.02 [1.300]	35.56 [1.400]	14	6	1-534237-2
30.48 [1.200]	33.02 [1.300]	13	6	1-534237-1
27.94 [1.100]	30.48 [1.200]	12	6	1-534237-0
25.40 [1.000]	27.94 [1.100]	11	6	534237-9
22.86 [.900]	25.40 [1.000]	10	6	534237-8
20.32 [.800]	22.86 [.900]	9	6	534237-7
17.78 [.700]	20.32 [.800]	8	6	534237-6
15.24 [.600]	17.78 [.700]	7	6	534237-5
12.70 [.500]	15.24 [.600]	6	6	534237-4
10.16 [.400]	12.70 [.500]	5	6	534237-3
7.62 [.300]	10.16 [.400]	4	6	534237-2
5.08 [.200]	7.62 [.300]	3	6	534237-1
B	A	NO OF POSN	PART NUMBER	

- 1 HOUSING: FLAME RETARDANT, GLASS FILLED, POLYESTER, COLOR: BLACK. CONTACT: PHOSPHOR BRONZE
- 2 CONTACT: DUPLEX PLATED 0.76µm[.000030] GOLD IN CONTACT AREA, 3.81-7.62µm[.000150-.000300] BRIGHT TIN-LEAD ON LEADS ALL OVER 1.27µm[.000050] MIN NICKEL
- 3 THESE DIMENSIONS PERTAIN TO CAVITY CENTERLINES ONLY - NOT TO CONTACT LOCATIONS
- 4 PART NUMBER AND DATE CODE MARKED IN APPROXIMATE LOCATION SHOWN.
- 5 TOLERANCE IS NON-CUMULATIVE.
- 6 2 POSITION DATE CODE IS MARKED OPPOSITE SIDE OF TYCO LOGO.
- 7 POINT-OF-MEASUREMENT DIMENSION FOR PLATING THICKNESS (INSIDE CONTACT BEAM).
- 8 POINT-OF-CONTACT DIMENSION.
- 9 NO PART NUMBER MARKING REQUIRED FOR THIS PART.
- 10 TYCO LOGO AND CSA LOGO ARE MOLDED INTO HOUSING, THIS LOCATION.
- 11 CONTACT: DUPLEX PLATED 0.76µm[.000030] GOLD IN CONTACT AREA, 3.81-7.62µm[.000150-.000300] MATTE TIN ON LEADS ALL OVER 1.27µm[.000050] MIN NICKEL
- 12 ROHS 2002/95/EC COMPLIANT

THIS DRAWING IS A CONTROLLED DOCUMENT.

DIMENSIONS: mm [INCHES]	TOLERANCES UNLESS OTHERWISE SPECIFIED:	DIN M. BINNER	OSNOV02		Tyco Electronics Corporation Harrisburg, Pa 17105-3608
0 PLC ± -	1 PLC ± -	OSNOV02	OSNOV02		
2 PLC ± 0.25[.010]	3 PLC ± 0.13[.005]	APVD J. OLSON	OSNOV02	NAME	RECT. ASSY, MOD IV, SINGLE ROW, .100CL, VERTICAL BOARD MOUNT, CLOSED, TOP ENTRY, SHORT PNT. OF CONTACT
4 PLC ± -	ANGLES ± -	PRODUCT SPEC	OSNOV02	APPLICATION SPEC	108-25022
MATERIAL	FINISH	SIZE	CAGE CODE	DRAWING NO	RESTRICTED TO
1	SEE TABLE	114-25018	A1	00779	534237
		WEIGHT		CUSTOMER DRAWING	SCALE 4:1 SHEET 1 OF 1 REV R