

Distributed by:

**JAMECO**<sup>®</sup>  
ELECTRONICS

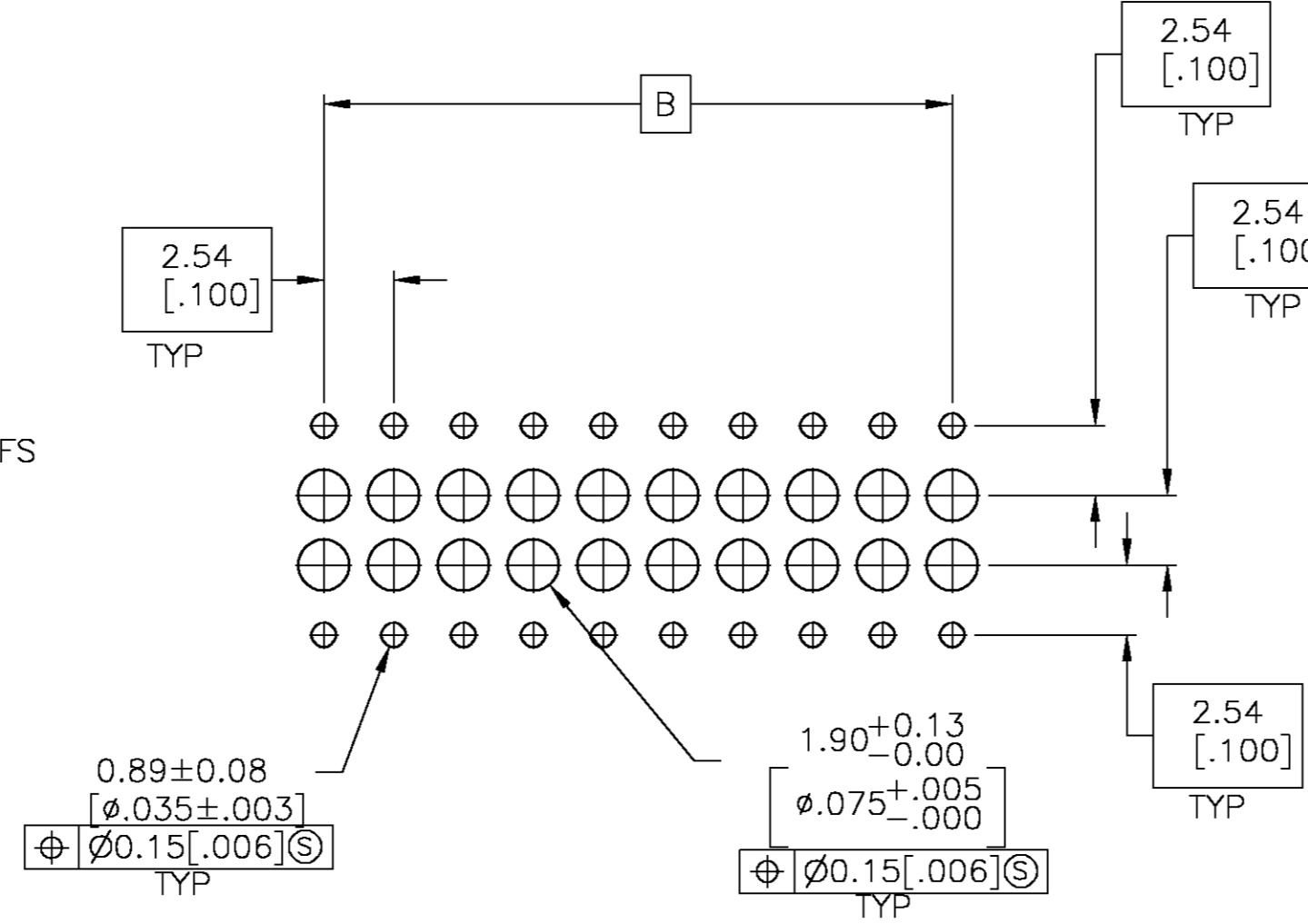
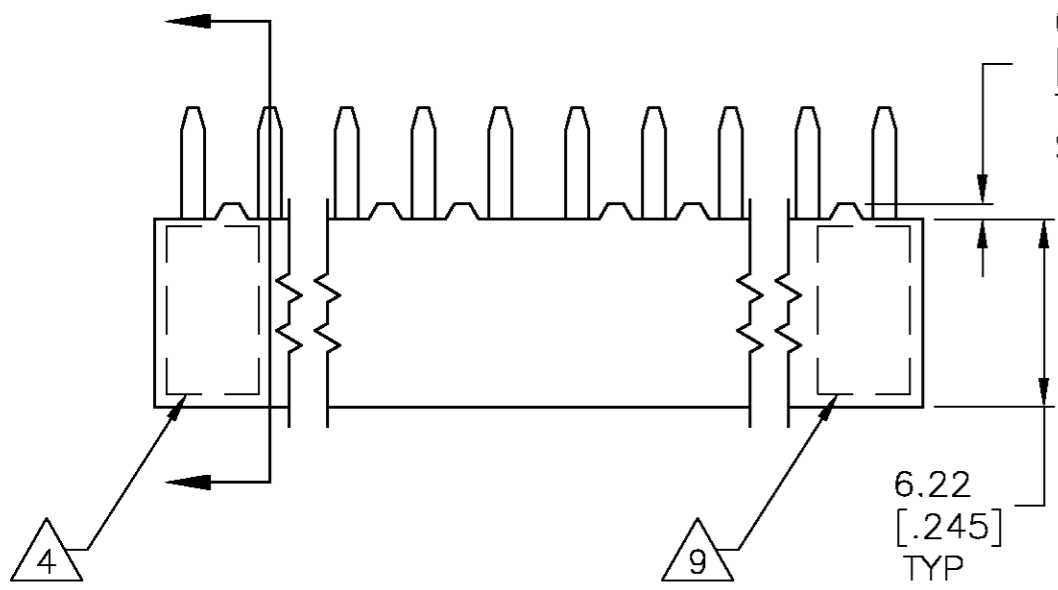
**www.Jameco.com ♦ 1-800-831-4242**

The content and copyrights of the attached  
material are the property of its owner.

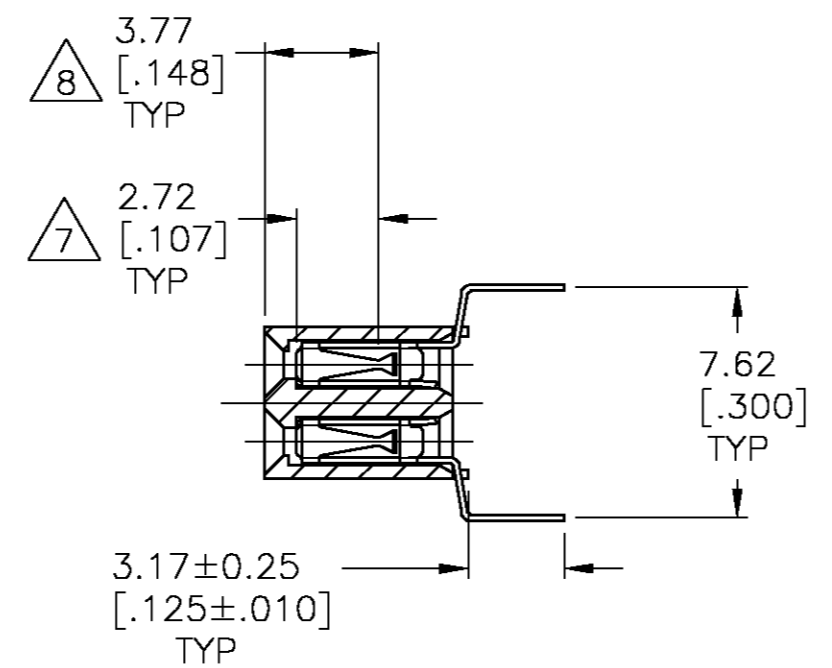
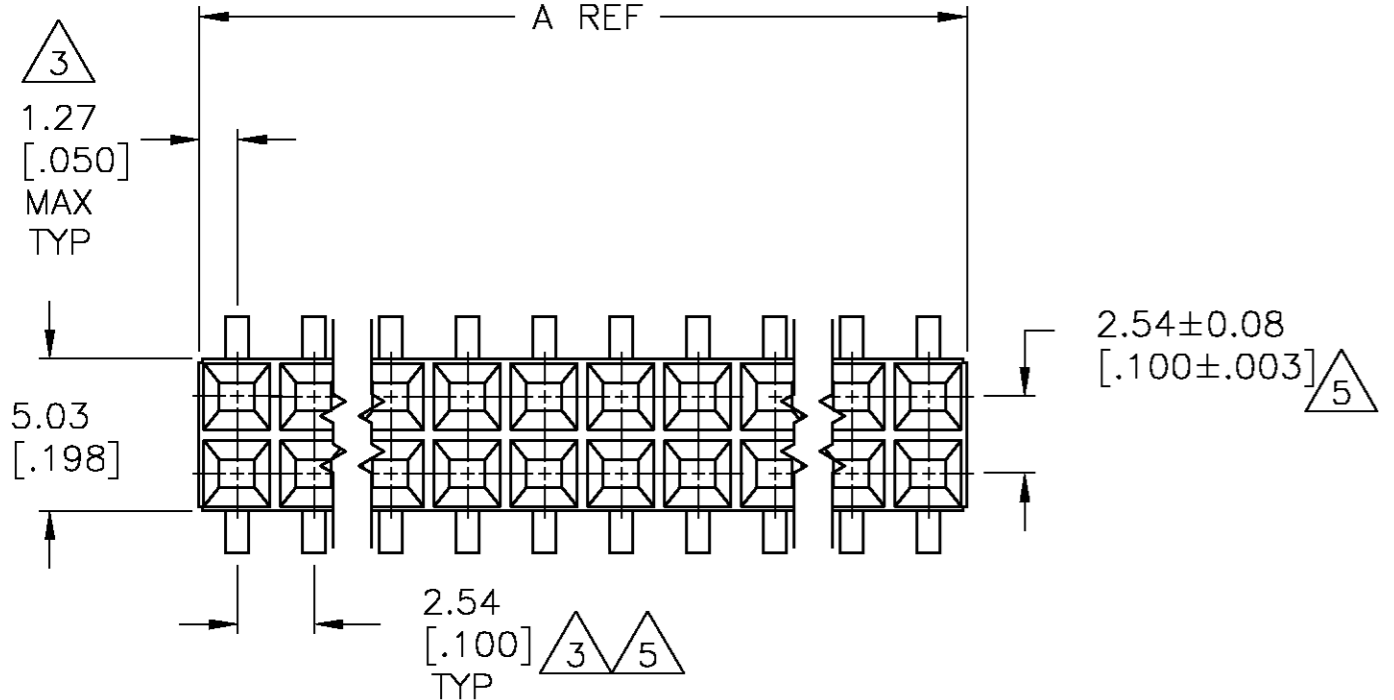
Jameco Part Number 754241

THIS DRAWING IS UNPUBLISHED. RELEASED FOR PUBLICATION  
 © COPYRIGHT BY TYCO ELECTRONICS CORPORATION. ALL RIGHTS RESERVED.

| Loc |    | DIST |     | REVISIONS            |         |     |      |  |
|-----|----|------|-----|----------------------|---------|-----|------|--|
| AD  | 00 | P    | LTR | DESCRIPTION          | DATE    | DWN | APVD |  |
|     |    | AB   |     | REV PER 0G3C 0641 04 | 08DEC04 | BSV | JO   |  |



RECOMMENDED PC BOARD HOLE PATTERN  
 PC BOARD THICKNESS 1.57[.062]



10 OBSOLETE

| FINISH | B            | A             | NO OF POSN | PART NUMBER |
|--------|--------------|---------------|------------|-------------|
| 2      | 96.52[3.800] | 99.06[3.900]  | 78         | 4-534267-0  |
| 2      | 91.44[3.600] | 93.98[3.700]  | 74         | 3-534267-9  |
| 2      | 88.90[3.500] | 91.44[3.600]  | 72         | 3-534267-8  |
| 2      | 86.36[3.400] | 88.90[3.500]  | 70         | 3-534267-7  |
| 2      | 83.82[3.300] | 86.36[3.400]  | 68         | 3-534267-6  |
| 2      | 81.28[3.200] | 83.82[3.300]  | 66         | 3-534267-5  |
| 2      | 78.74[3.100] | 81.28[3.200]  | 64         | 3-534267-4  |
| 2      | 76.20[3.000] | 78.74[3.100]  | 62         | 3-534267-3  |
| 2      | 71.12[2.800] | 73.66[2.900]  | 58         | 3-534267-2  |
| 2      | 68.58[2.700] | 71.12[2.800]  | 56         | 3-534267-1  |
| 2      | 66.04[2.600] | 68.58[2.700]  | 54         | 3-534267-0  |
| 2      | 63.50[2.500] | 66.04[2.600]  | 52         | 2-534267-9  |
| 2      | 55.88[2.200] | 58.42[2.300]  | 46         | 2-534267-8  |
| 2      | 53.34[2.100] | 55.88[2.200]  | 44         | 2-534267-7  |
| 2      | 50.80[2.000] | 53.34[2.100]  | 42         | 2-534267-6  |
| 2      | 45.72[1.800] | 48.26[1.900]  | 38         | 2-534267-5  |
| 2      | 40.64[1.600] | 43.18[1.700]  | 34         | 2-534267-4  |
| 2      | 38.10[1.500] | 40.64[1.600]  | 32         | 2-534267-3  |
| 2      | 33.02[1.300] | 35.56[1.400]  | 28         | 2-534267-2  |
| 2      | 25.40[1.000] | 27.94[1.100]  | 22         | 2-534267-1  |
| 2      | 12.70[.500]  | 15.24[.600]   | 12         | 2-534267-0  |
| 2      | 17.78[.700]  | 20.32[.800]   | 16         | 1-534267-9  |
| 2      | 60.96[2.400] | 63.50[2.500]  | 50         | 1-534267-8  |
| 2      | 2.54[.100]   | 5.08[.200]    | 4          | 1-534267-7  |
| 2      | 93.98[3.700] | 96.52[3.800]  | 76         | 1-534267-6  |
| 2      | 43.18[1.700] | 45.72[1.800]  | 36         | 1-534267-5  |
| 2      | 5.08[.200]   | 7.62[.300]    | 6          | 1-534267-4  |
| 2      | -            | 2.54[.100]    | 2          | 1-534267-3  |
| 2      | 35.56[1.400] | 38.10[1.500]  | 30         | 1-534267-2  |
| 2      | 58.42[2.300] | 60.96[2.400]  | 48         | 1-534267-1  |
| 2      | 20.32[.800]  | 22.86[.900]   | 18         | 1-534267-0  |
| 2      | 27.94[1.100] | 30.48[1.200]  | 24         | 534267-9    |
| 2      | 73.66[2.900] | 76.20[3.000]  | 60         | 534267-8    |
| 2      | 48.26[1.900] | 50.80[2.000]  | 40         | 534267-7    |
| 2      | 30.48[1.200] | 33.02[1.300]  | 26         | 534267-6    |
| 2      | 7.62[.300]   | 10.16[.400]   | 8          | 534267-5    |
| 2      | 99.06[3.900] | 101.60[4.000] | 80         | 534267-4    |
| 2      | 10.16[.400]  | 12.70[.500]   | 10         | 534267-3    |
| 2      | 22.86[.900]  | 25.40[1.000]  | 20         | 534267-2    |
| 2      | 15.24[.600]  | 17.78[.700]   | 14         | 534267-1    |

- 1 HOUSING: FLAME RETARDANT, GLASS FILLED, POLYESTER, COLOR: BLACK. CONTACT: PHOSPHOR BRONZE
- 2 CONTACT: DUPLEX PLATED 0.76µm[.000030] GOLD IN CONTACT AREA, 3.81-7.62µm[.000150-.000300] BRIGHT TIN-LEAD ON LEADS, ALL OVER 1.27µm[.000050] MINIMUM NICKEL
- 3 THESE DIMENSIONS PERTAIN TO CAVITY CENTERLINES ONLY - NOT TO CONTACT LOCATIONS
- 4 PART NUMBER AND DATE CODE ARE MARKED IN APPROXIMATE LOCATION SHOWN.
- 5 TOLERANCE IS NON-CUMULATIVE.
- 6 2 POSITION DATE CODE IS MARKED OPPOSITE SIDE OF TYCO LOGO.
- 7 POINT-OF-MEASUREMENT DIMENSION FOR PLATING THICKNESS (INSIDE CONTACT BEAM).
- 8 POINT-OF-CONTACT DIMENSION.
- 9 TYCO TRADEMARK AND CSA LOGO ARE MOLDED INTO HOUSING, THIS LOCATION.
- 10 NO PART NUMBER MARKING REQUIRED FOR THIS PART.
- 11 CONTACT: DUPLEX PLATED 0.76 MICROMETERS(.000030) MIN GOLD IN CONTACT AREA, 3.81-7.62 MICROMETERS(.000150-.000300) MATTE TIN ON LEADS, ALL OVER 1.27 MICROMETERS (.000050) MINIMUM NICKEL.
- 12 ROHS 2002/95/EC COMPLIANT

THIS DRAWING IS A CONTROLLED DOCUMENT.

|                            |  |   |  |
|----------------------------|--|---|--|
| DIMENSIONS:<br>mm [INCHES] | TOLERANCES UNLESS OTHERWISE SPECIFIED:<br>0 PLC ± -<br>1 PLC ± -<br>2 PLC ± 0.13[.005]<br>3 PLC ± -<br>4 PLC ± -<br>ANGLES ± - | DWN M.BINNER 06NOV2002<br>CHK J.OLSON 06NOV02<br>APVD J.OLSON 06NOV02<br>PRODUCT SPEC 108-25022<br>APPLICATION SPEC 114-25018 | tyco Electronics<br>Tyco Electronics Corporation<br>Harrisburg, Pa 17105-3608                  |
| MATERIAL 1                 | FINISH 11, 12  | WEIGHT -  | NAME RECEPTACLE ASSEMBLY, MOD IV, DOUBLE ROW, DUAL ENTRY, .100X.100CL, VERTICAL MOUNT, AMPMODU |
| CUSTOMER DRAWING           |  | SCALE 4:1   | RESTRICTED TO -  |

SIZE A2 CAGE CODE 00779 DRAWING NO C=534267 SHEET 1 OF 2 REV AB

THIS DRAWING IS UNPUBLISHED. RELEASED FOR PUBLICATION  
 © COPYRIGHT BY TYCO ELECTRONICS CORPORATION. ALL RIGHTS RESERVED.

| Loc | DIST | REVISIONS   |      |     |      |
|-----|------|-------------|------|-----|------|
| P   | LTR  | DESCRIPTION | DATE | DWN | APVD |
|     |      | SEE SHEET 1 |      |     |      |

| FINISH | B            | A             | NO OF POSN | PART NUMBER |
|--------|--------------|---------------|------------|-------------|
| 11     | 96.52[3.800] | 99.06[3.900]  | 78         | 9-534267-0  |
| 11     | 91.44[3.600] | 93.98[3.700]  | 74         | 8-534267-9  |
| 11     | 88.90[3.500] | 91.44[3.600]  | 72         | 8-534267-8  |
| 11     | 86.36[3.400] | 88.90[3.500]  | 70         | 8-534267-7  |
| 11     | 83.82[3.300] | 86.36[3.400]  | 68         | 8-534267-6  |
| 11     | 81.28[3.200] | 83.82[3.300]  | 66         | 8-534267-5  |
| 11     | 78.74[3.100] | 81.28[3.200]  | 64         | 8-534267-4  |
| 11     | 76.20[3.000] | 78.74[3.100]  | 62         | 8-534267-3  |
| 11     | 71.12[2.800] | 73.66[2.900]  | 58         | 8-534267-2  |
| 11     | 68.58[2.700] | 71.12[2.800]  | 56         | 8-534267-1  |
| 11     | 66.04[2.600] | 68.58[2.700]  | 54         | 8-534267-0  |
| 11     | 63.50[2.500] | 66.04[2.600]  | 52         | 7-534267-9  |
| 11     | 55.88[2.200] | 58.42[2.300]  | 46         | 7-534267-8  |
| 11     | 53.34[2.100] | 55.88[2.200]  | 44         | 7-534267-7  |
| 11     | 50.80[2.000] | 53.34[2.100]  | 42         | 7-534267-6  |
| 11     | 45.72[1.800] | 48.26[1.900]  | 38         | 7-534267-5  |
| 11     | 40.64[1.600] | 43.18[1.700]  | 34         | 7-534267-4  |
| 11     | 38.10[1.500] | 40.64[1.600]  | 32         | 7-534267-3  |
| 11     | 33.02[1.300] | 35.56[1.400]  | 28         | 7-534267-2  |
| 11     | 25.40[1.000] | 27.94[1.100]  | 22         | 7-534267-1  |
| 11     | 12.70[.500]  | 15.24[.600]   | 12         | 7-534267-0  |
| 11     | 17.78[.700]  | 20.32[.800]   | 16         | 6-534267-9  |
| 11     | 60.96[2.400] | 63.50[2.500]  | 50         | 6-534267-8  |
| 10     | 2.54[.100]   | 5.08[.200]    | 4          | 6-534267-7  |
| 11     | 93.98[3.700] | 96.52[3.800]  | 76         | 6-534267-6  |
| 11     | 43.18[1.700] | 45.72[1.800]  | 36         | 6-534267-5  |
| 10     | 5.08[.200]   | 7.62[.300]    | 6          | 6-534267-4  |
| 11     | -            | 2.54[.100]    | 2          | 6-534267-3  |
| 11     | 35.56[1.400] | 38.10[1.500]  | 30         | 6-534267-2  |
| 11     | 58.42[2.300] | 60.96[2.400]  | 48         | 6-534267-1  |
| 11     | 20.32[.800]  | 22.86[.900]   | 18         | 6-534267-0  |
| 11     | 27.94[1.100] | 30.48[1.200]  | 24         | 5-534267-9  |
| 11     | 73.66[2.900] | 76.20[3.000]  | 60         | 5-534267-8  |
| 11     | 48.26[1.900] | 50.80[2.000]  | 40         | 5-534267-7  |
| 11     | 30.48[1.200] | 33.02[1.300]  | 26         | 5-534267-6  |
| 10     | 7.62[.300]   | 10.16[.400]   | 8          | 5-534267-5  |
| 11     | 99.06[3.900] | 101.60[4.000] | 80         | 5-534267-4  |
| 10     | 10.16[.400]  | 12.70[.500]   | 10         | 5-534267-3  |
| 11     | 22.86[.900]  | 25.40[1.000]  | 20         | 5-534267-2  |
| 11     | 15.24[.600]  | 17.78[.700]   | 14         | 5-534267-1  |

10 OBSOLETE

534267

|  |  |                            |  |                 |
|--|--|----------------------------|--|-----------------|
| THIS DRAWING IS A CONTROLLED DOCUMENT.   |  | DWN M.BINNER 06NOV2002     | Tyco Electronics Corporation<br>Harrisburg, Pa 17105-3608                                      |                 |
| DIMENSIONS: mm [INCHES]  |  | CHK J.OLSON 06NOV02        | NAME RECEPTACLE ASSEMBLY, MOD IV, DOUBLE ROW, DUAL ENTRY, .100X.100CL, VERTICAL MOUNT, AMPMODU |                 |
| TOLERANCES UNLESS OTHERWISE SPECIFIED:<br>0 PLC ± -<br>1 PLC ± -<br>2 PLC ± 0.13[.005]<br>3 PLC ± -<br>4 PLC ± -<br>ANGLES ± - |  | APVD J.OLSON 06NOV02       | DRAWING NO C=534267  |                 |
| MATERIAL 1   |  | PRODUCT SPEC 108-25022     | SIZE A2  | RESTRICTED TO - |
| FINISH 11 12   |  | APPLICATION SPEC 114-25018 | CAGE CODE 00779  | SCALE 1:1       |
|  |  | WEIGHT -                   | SHEET 2 OF 2   | REV AB          |
|  |  | CUSTOMER DRAWING           |  |                 |