

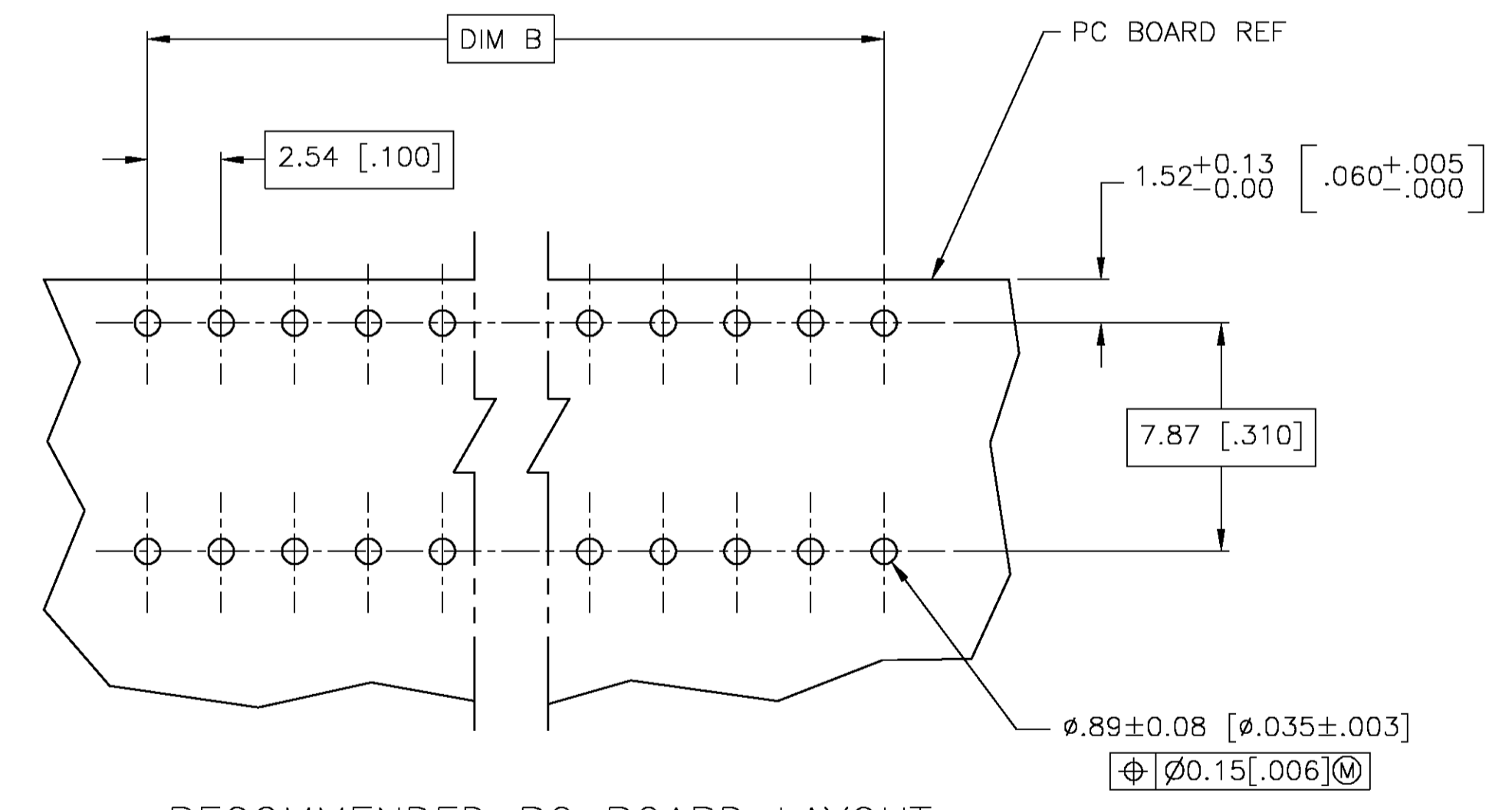
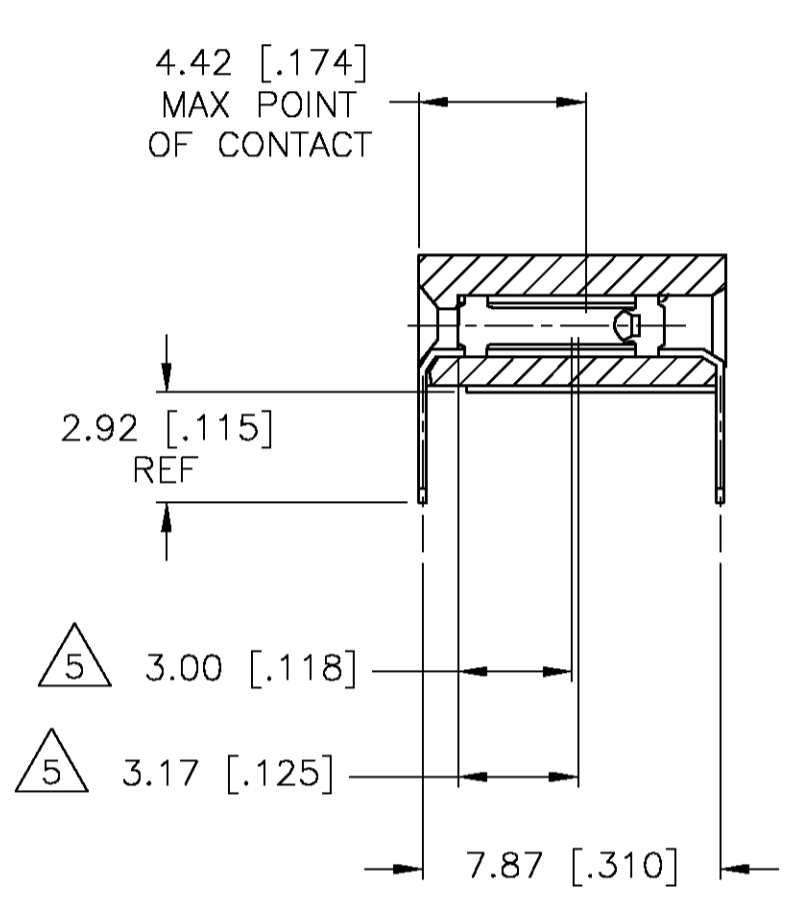
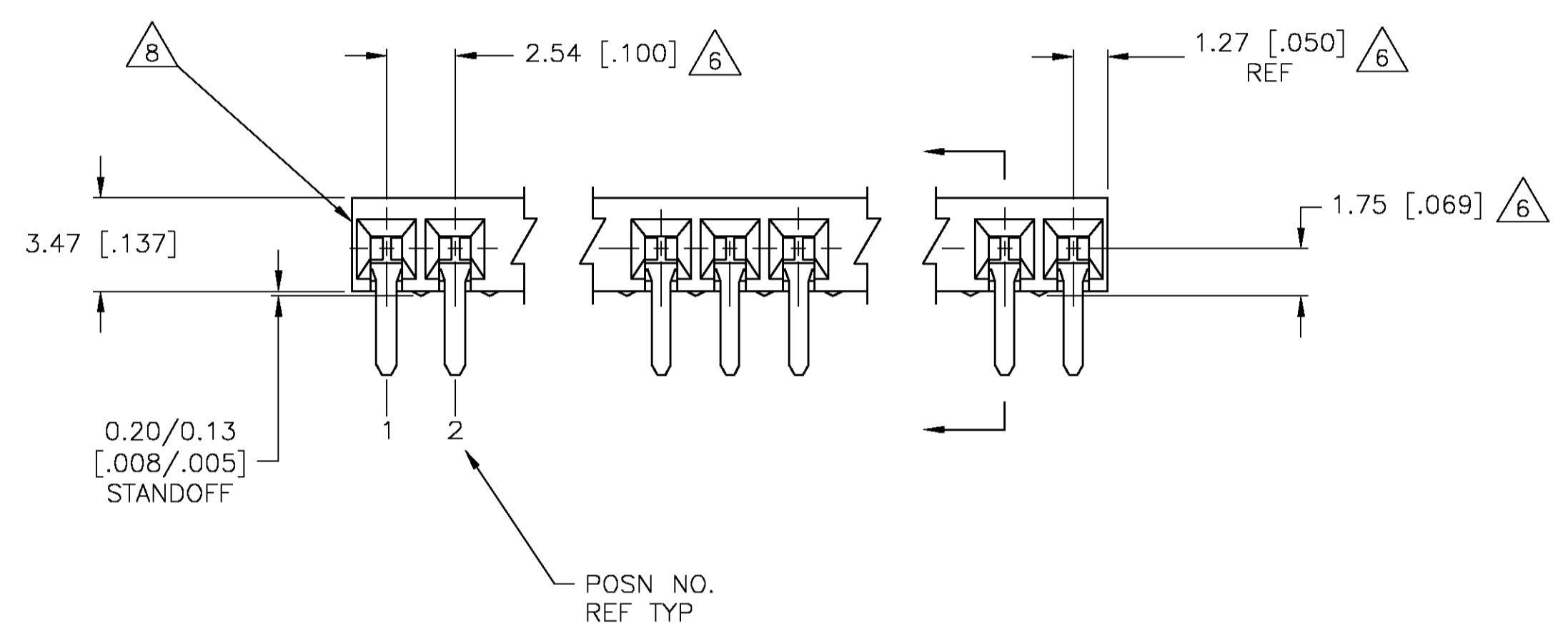
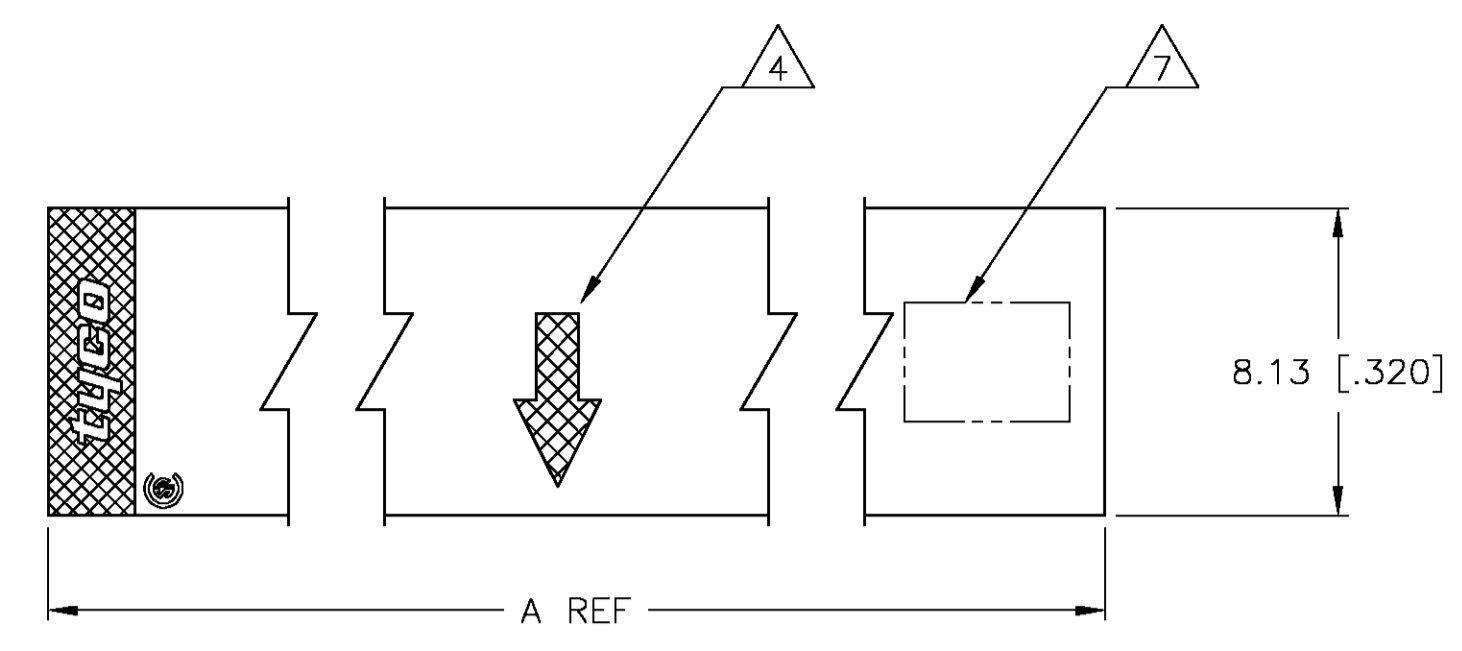
Distributed by:

JAMECO[®]
ELECTRONICS

www.Jameco.com ♦ 1-800-831-4242

The content and copyrights of the attached
material are the property of its owner.

Jameco Part Number 754321



RECOMMENDED PC BOARD LAYOUT

- 1 HOUSING MATERIAL: GLASS FILLED POLYESTER, COLOR- BLACK
- 2 CONTACT MATERIAL: PHOSPHOR BRONZE
- 3 CONTACT FINISH: 0.00076[.000030] THK DUPLEX PLATED GOLD ON CONTACT AREA, 0.00127[.000050] MIN THK BRIGHT TIN-LEAD OR TIN ON SOLDERLEADS, ALL OVER 0.00127[.000050] NICKEL
- 4 MOLDED IN ARROW DESIGNATES THE MATING FACE OF THE CONNECTOR
- 5 POINT OF MEASUREMENT FOR PLATING THICKNESS OF CONTACT AREA
- 6 DIMENSIONS PERTAIN TO HOUSING CAVITY CENTERLINES
- 7 DATE CODE AND PART NUMBER MARKED IN APPROXIMATE LOCATION SHOWN.
- 8 ALTERNATE LOCATION FOR DATE CODE FOR 2 AND 3 POSITION.
- 9 NO PART NUMBER MARKING REQUIRED FOR THIS PART.

162.56[6.400]	165.10[6.500]	65	6-535676-4
160.02[6.300]	162.56[6.400]	64	6-535676-3
157.48[6.200]	160.02[6.300]	63	6-535676-2
154.94[6.100]	157.48[6.200]	62	6-535676-1
152.40[6.000]	154.94[6.100]	61	6-535676-0
149.86[5.900]	152.40[6.000]	60	5-535676-9
147.32[5.800]	149.86[5.900]	59	5-535676-8
144.78[5.700]	147.32[5.800]	58	5-535676-7
142.24[5.600]	144.78[5.700]	57	5-535676-6
139.70[5.500]	142.24[5.600]	56	5-535676-5
137.16[5.400]	139.70[5.500]	55	5-535676-4
134.62[5.300]	137.16[5.400]	54	5-535676-3
132.08[5.200]	134.62[5.300]	53	5-535676-2
129.54[5.100]	132.08[5.200]	52	5-535676-1
127.00[5.000]	129.54[5.100]	51	5-535676-0
124.46[4.900]	127.00[5.000]	50	4-535676-9
121.92[4.800]	124.46[4.900]	49	4-535676-8
119.38[4.700]	121.92[4.800]	48	4-535676-7
116.84[4.600]	119.38[4.700]	47	4-535676-6
114.30[4.500]	116.84[4.600]	46	4-535676-5
111.76[4.400]	114.30[4.500]	45	4-535676-4
109.22[4.300]	111.76[4.400]	44	4-535676-3
106.68[4.200]	109.22[4.300]	43	4-535676-2
104.14[4.100]	106.68[4.200]	42	4-535676-1
101.16[4.000]	104.14[4.100]	41	4-535676-0
99.06[3.900]	101.16[4.000]	40	3-535676-9
96.52[3.800]	99.06[3.900]	39	3-535676-8
93.98[3.700]	96.52[3.800]	38	3-535676-7
91.44[3.600]	93.98[3.700]	37	3-535676-6
88.90[3.500]	91.44[3.600]	36	3-535676-5
86.36[3.400]	88.90[3.500]	35	3-535676-4
83.82[3.300]	86.36[3.400]	34	3-535676-3
81.28[3.200]	83.82[3.300]	33	3-535676-2
78.74[3.100]	81.28[3.200]	32	3-535676-1
76.20[3.000]	78.74[3.100]	31	3-535676-0
73.66[2.900]	76.20[3.000]	30	2-535676-9
71.12[2.800]	73.66[2.900]	29	2-535676-8
68.58[2.700]	71.12[2.800]	28	2-535676-7
66.04[2.600]	68.58[2.700]	27	2-535676-6
63.50[2.500]	66.04[2.600]	26	2-535676-5
60.96[2.400]	63.50[2.500]	25	2-535676-4
58.42[2.300]	60.96[2.400]	24	2-535676-3
55.88[2.200]	58.42[2.300]	23	2-535676-2
53.34[2.100]	55.88[2.200]	22	2-535676-1
50.80[2.000]	53.34[2.100]	21	2-535676-0
48.26[1.900]	50.80[2.000]	20	1-535676-9
45.72[1.800]	48.26[1.900]	19	1-535676-8
43.18[1.700]	45.72[1.800]	18	1-535676-7
40.64[1.600]	43.18[1.700]	17	1-535676-6
38.10[1.500]	40.64[1.600]	16	1-535676-5
35.56[1.400]	38.10[1.500]	15	1-535676-4
33.02[1.300]	35.56[1.400]	14	1-535676-3
30.48[1.200]	33.02[1.300]	13	1-535676-2
27.94[1.100]	30.48[1.200]	12	1-535676-1
25.40[1.000]	27.94[1.100]	11	1-535676-0
22.86[.900]	25.40[1.000]	10	535676-9
20.32[.800]	22.86[.900]	9	535676-8
17.78[.700]	20.32[.800]	8	535676-7
15.24[.600]	17.78[.700]	7	535676-6
12.70[.500]	15.24[.600]	6	535676-5
10.16[.400]	12.70[.500]	5	535676-4
7.62[.300]	10.16[.400]	4	535676-3
5.08[.200]	7.62[.300]	3	535676-2
2.54[.100]	5.08[.200]	2	535676-1

THIS DRAWING IS A CONTROLLED DOCUMENT.

DMN R BROWN	DSJUN02		Tyco Electronics Corporation Harrisburg, PA 17105				
CHK J OLSON	DSJUN02		NAME AMPMODU MOD II RECEPTACLE ASSEMBLY, HORIZONTAL, .100 CL, SINGLE ROW, CLOSED-ENTRY, SHORT POINT OF CONTACT, END-TO-END STACKABLE	NO. OF POSN	ASSEMBLY PART NUMBER		
DIMENSIONS: MM	TOLERANCES UNLESS OTHERWISE SPECIFIED:	APVD J OLSON	DSJUN02	SIZE A1	CAGE CODE 00779	DRAWING NO. 535676	RESTRICTED TO
0 PLC ± -	1 PLC ± -	2 PLC ± -	3 PLC ± -	4 PLC ± 0.13[.005]	5 PLC ± -	6 ANGLE ± -	7 FINISH
MATERIAL	FINISH	WEIGHT	CUSTOMER DRAWING	SCALE	5:1	SHEET	1 OF 1