

## 5413524-2 Product Details



**5413524-2**

TE Internal Number: 5413524-2

 Active

### Decoupled BNC RF Connectors

 Always EU RoHS/ELV Compliant (Statement of Compliance)

#### Product Highlights:

- Applies To Printed Circuit Board
- Connector Impedance = 50  $\Omega$
- Capacitance = 9,400 pF
- Without ESD Protection
- Voltage Rating = 1500 VDC

### Documentation & Additional Information

#### Product Drawings:

- [JACK, DECOUPLER, RIGHT ANGLE, PCB, SERIES BNC](#) (PDF, English)

#### Catalog Pages/Data Sheets:

- [Decoupled Connectors](#) (PDF, English)

#### Product Specifications:

- None Available

#### Application Specifications:

- None Available

#### Instruction Sheets:

- None Available

#### CAD Files:

- None Available

#### Related Products:

- [Tooling](#)

### Product Features (Please use the Product Drawing for all design activity)

#### Product Type Features:

- Profile = Standard
- PCB Mounting Orientation = Right Angle
- PCB Mount Retention = With
- PCB Mount Retention Type = Hold Down Post(s)
- Clip Style = Standard
- Mounting Post Style = Standard
- Dielectric Material = Polymethylpentene
- Gender = Jack

#### Mechanical Attachment:

- Panel Mount Retention = With
- Panel Mount Retention Type = Lockwasher and Nut

#### Electrical Characteristics:

- Connector Impedance ( $\Omega$ ) = 50
- Capacitance (pF) = 9,400
- Voltage Rating (VDC) = 1500

#### Dimensions:

- Mounting Post Length (mm [in]) = 4.01 [0.158]
- Mount Height (Dim B) (mm [in]) = 15.88 [0.625]

#### Body Features:

- ESD Protection = Without
- Body Material = VALOX
- Body Plating = Nickel

#### Contact Features:

- Center Contact Material = Phosphor Bronze
- Center Contact Plating = Gold

#### Industry Standards:

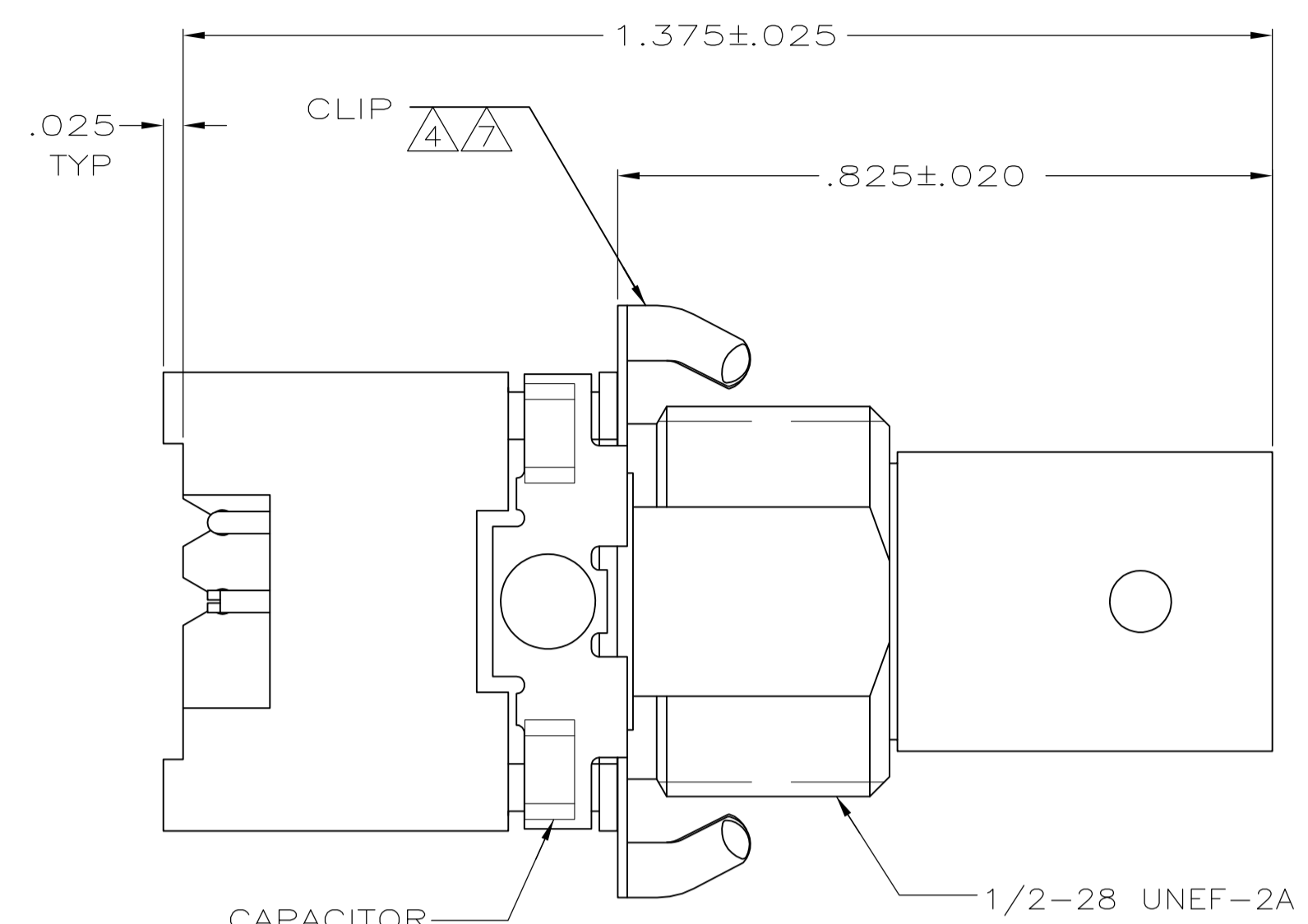
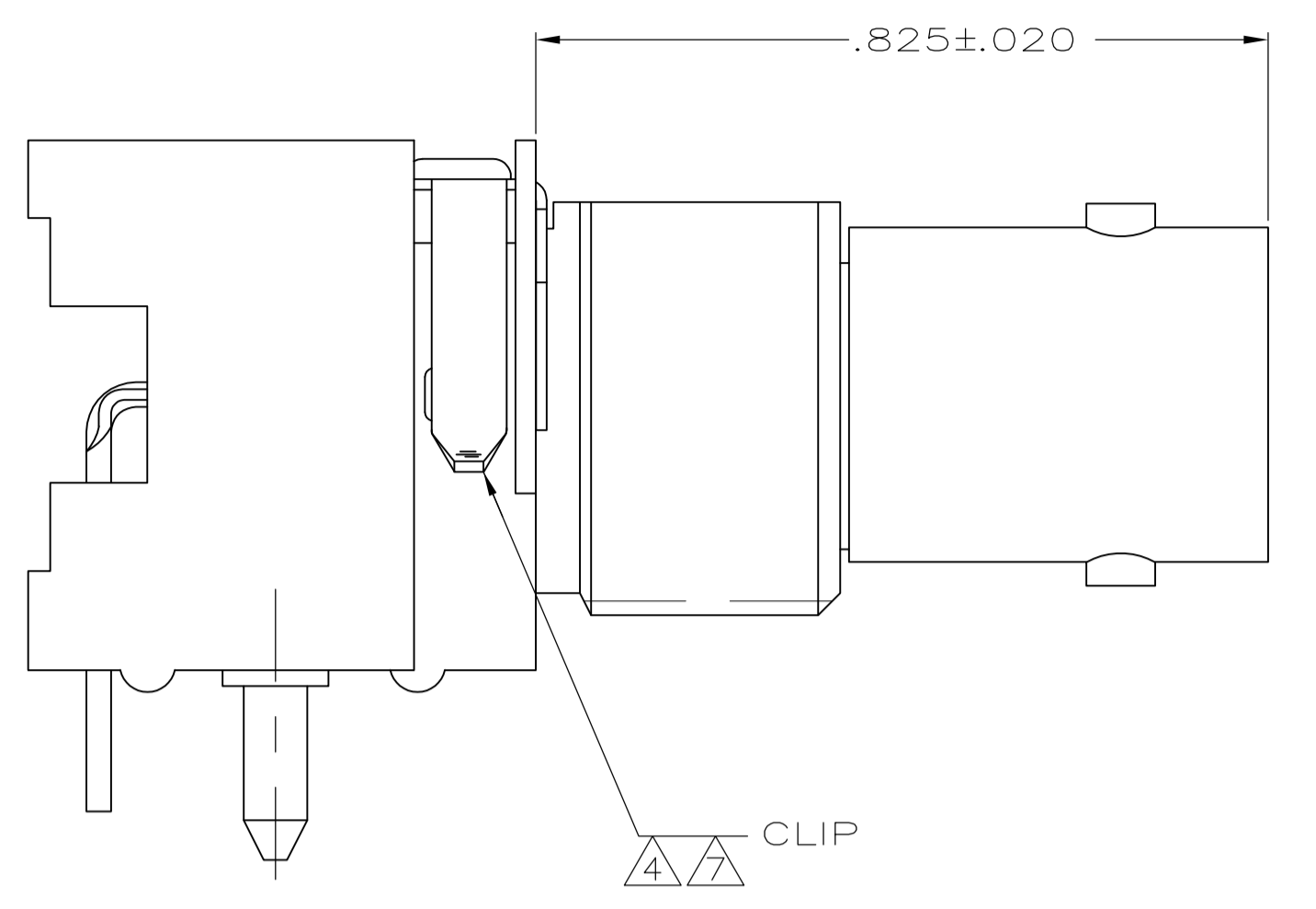
- [RoHS/ELV Compliance](#) = RoHS compliant, ELV compliant
- [Lead Free Solder Processes](#) = Wave solder capable to 260°C, Wave solder capable to 240°C, Wave solder capable to 265°C
- RoHS/ELV Compliance History = Always was RoHS compliant

#### Conditions for Usage:

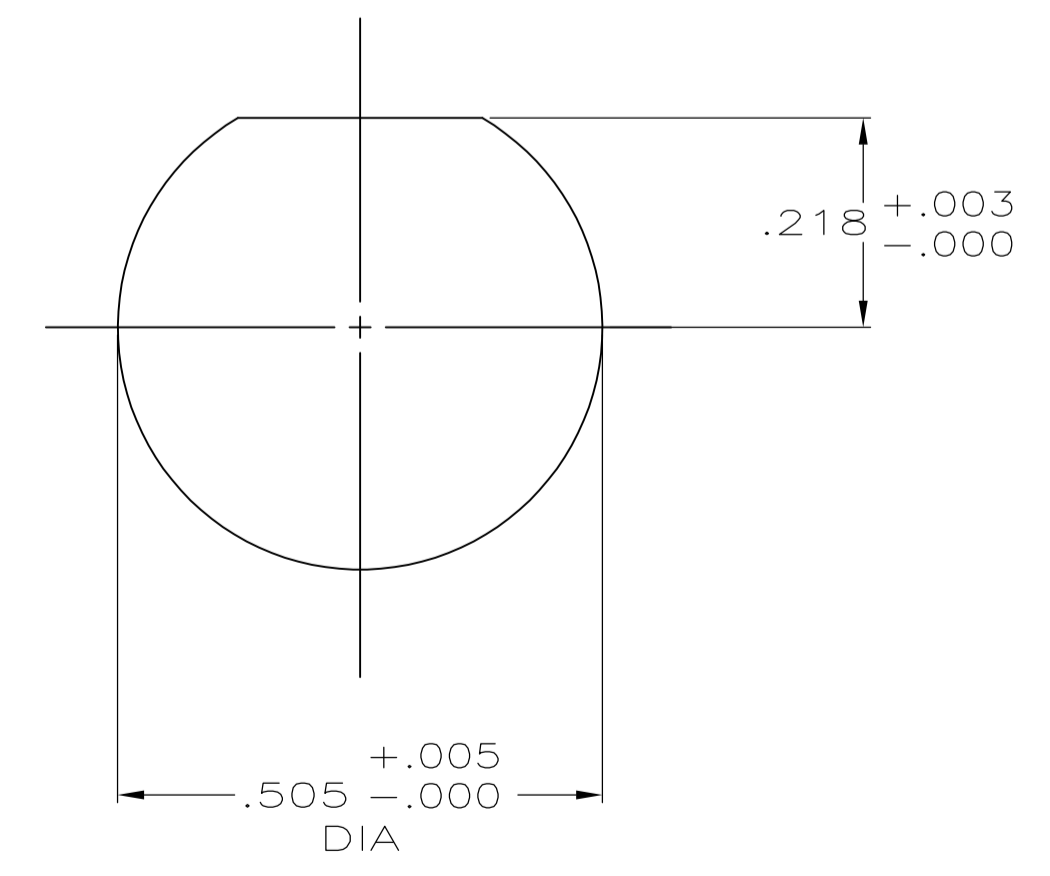
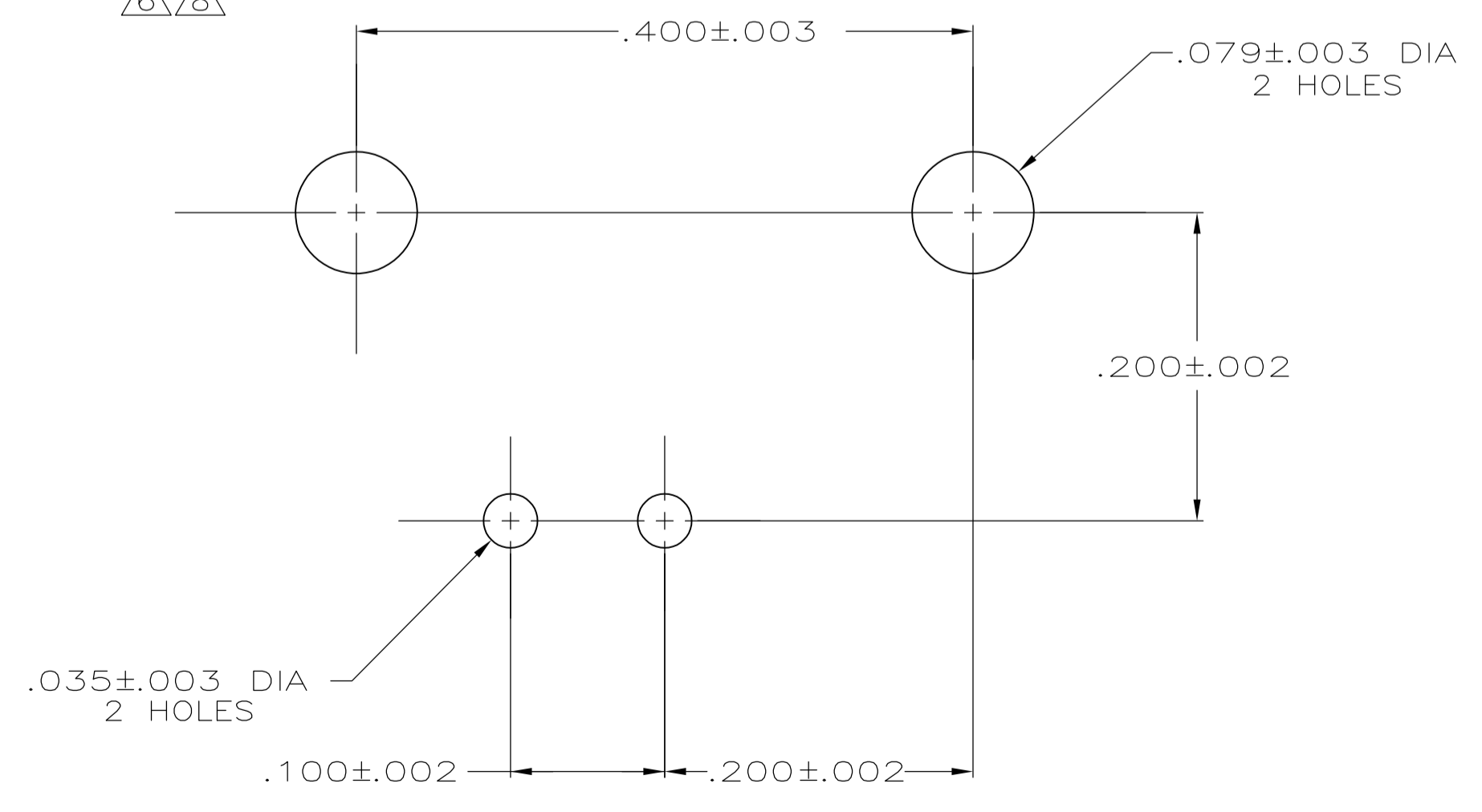
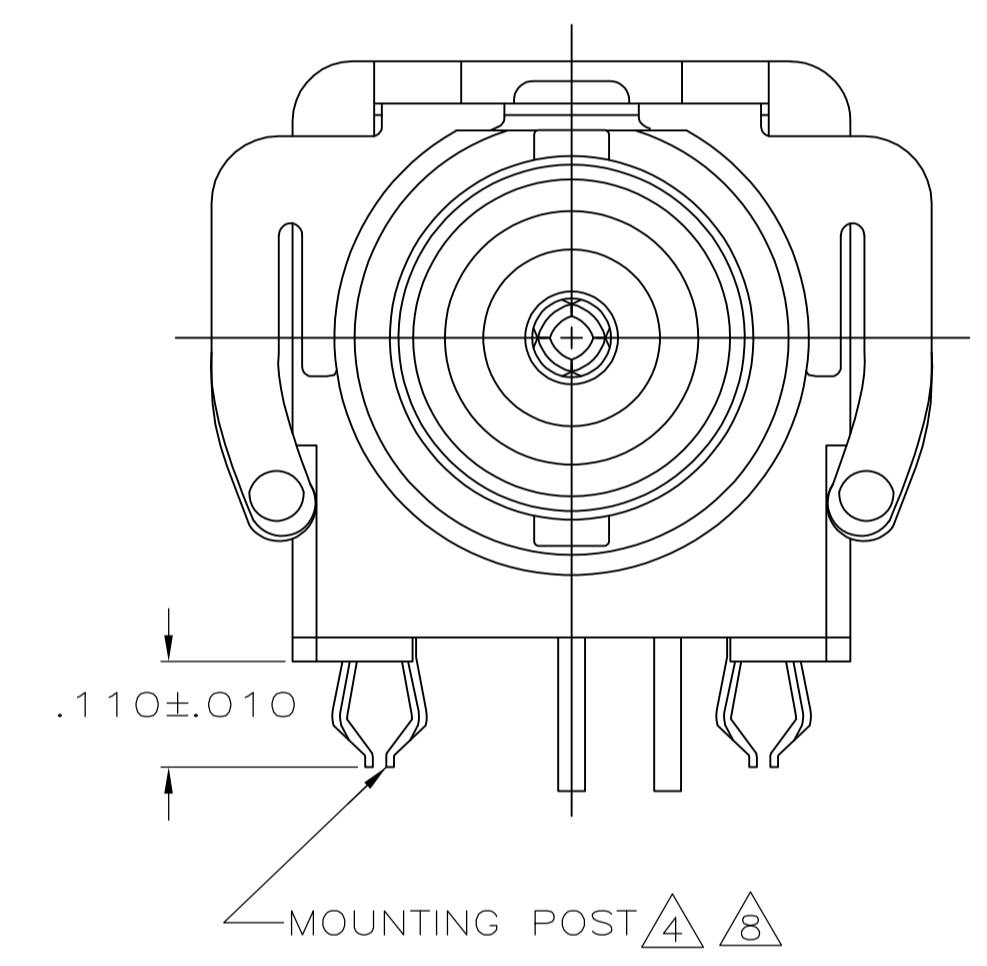
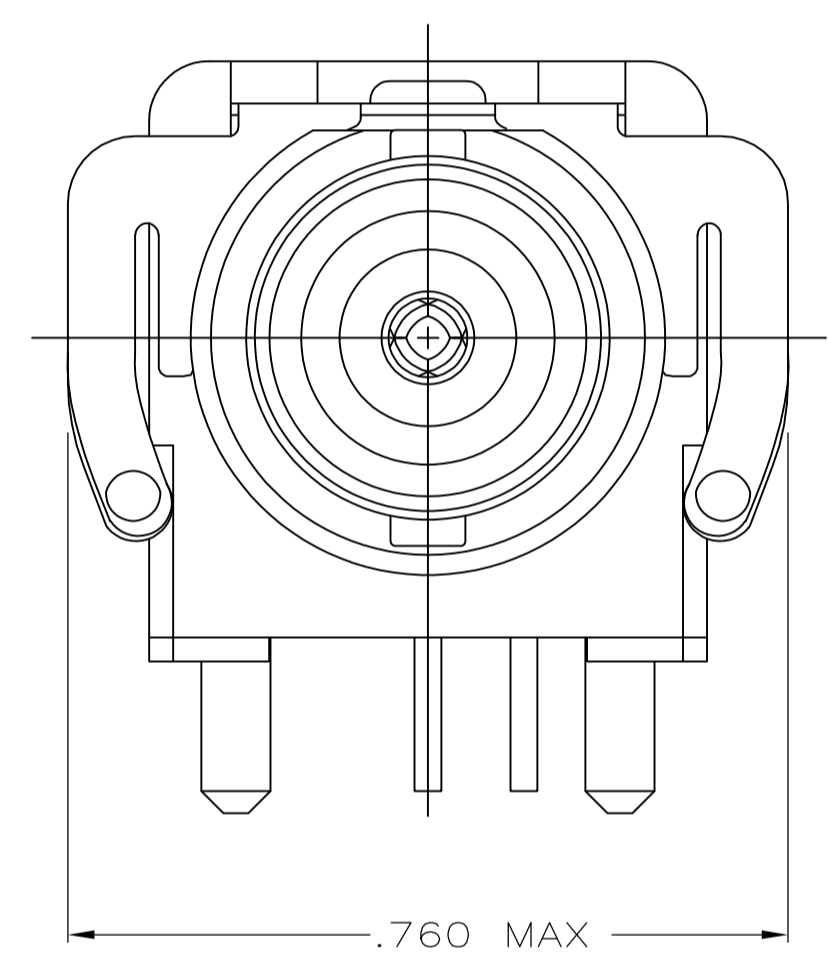
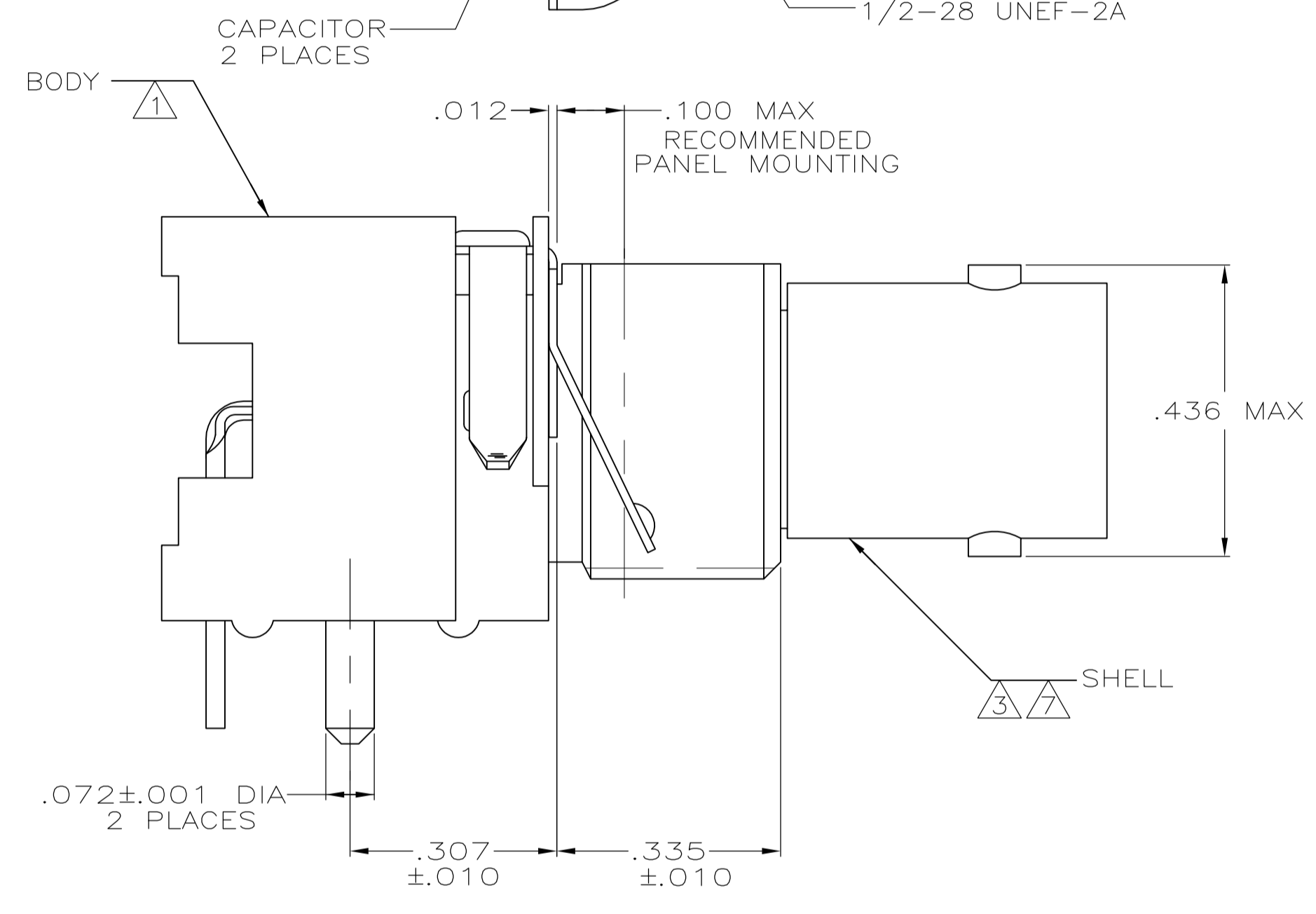
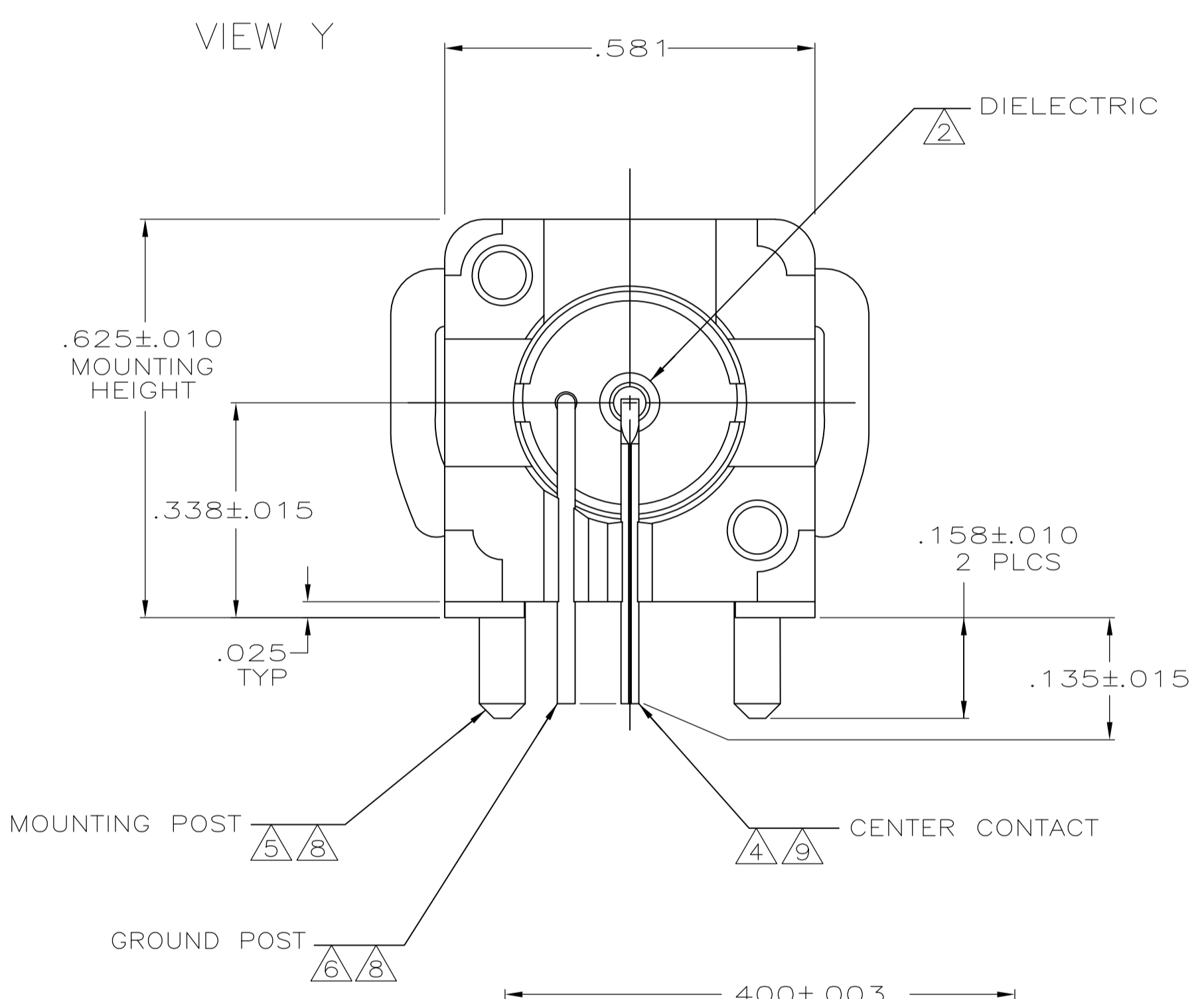
- [Applies To](#) = Printed Circuit Board
- Housing Temperature Rating = Standard

#### Other:

- Brand = AMP



- 1 POLYESTER, PBT, BLACK, PER MIL-M-24519
- 2 POLYMETHYLPENTENE, GENERAL PURPOSE
- 3 ZINC PER QQ-Z-363
- 4 PHOSPHOR BRONZE PER QQ-B-750
- 5 BRASS PER ASTM-B-16
- 6 BRASS PER ASTM-B-453
- 7 NICKEL PL PER QQ-N-290
- 8 TIN PL PER ASTM-B-545
- 9 SELECTIVELY GOLD PLATED ON INTERFACE AREA PER ASTM-B-488, .000030 THK, TIN PLATED ON SOLDER TAIL PER ASTM-B-545, ALL OVER NICKEL PL PER QQ-N-290



VIEW Z	VIEW X	9400 pf, 1500 VDC	5413524-5
VIEW X OR Y	VIEW X	9400 pf, 1500 VDC	5413524-2
MOUNTING POST	CLIP	CAPACITANCE & VOLTAGE	PART NUMBER

THIS DRAWING IS A CONTROLLED DOCUMENT.		DIN L VARELA - DOCKS 22APR2005	Tyco Electronics Corporation Harrisburg, PA 17105-3608	
DIMENSIONS: INCHES		CHK J. HAVENER 22APR2005	NAME Tyco Electronics	
TOLERANCES UNLESS OTHERWISE SPECIFIED:		APVD J. LIPPERT 22APR2005	PRODUCT SPEC 108-1269	
0 PLC ± -		APPLICATION SPEC		
1 PLC ± -		SIZE CAGE CODE DRAWING NO		
2 PLC ± -		WEIGHT		
3 PLC ± .008		A1 00779 C=5413524		
4 PLC ± -		CUSTOMER DRAWING		
ANGLES ± -		SCALE 5:1 SHEET 1 of 1 REV B		