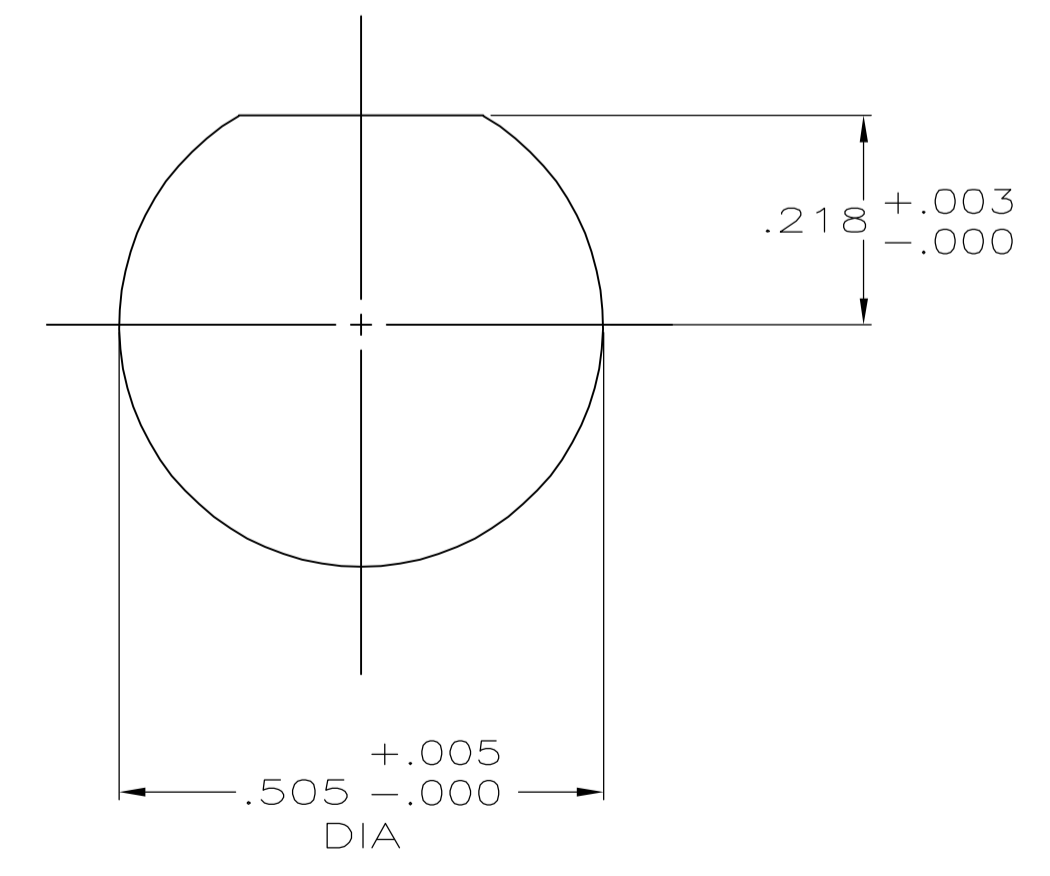
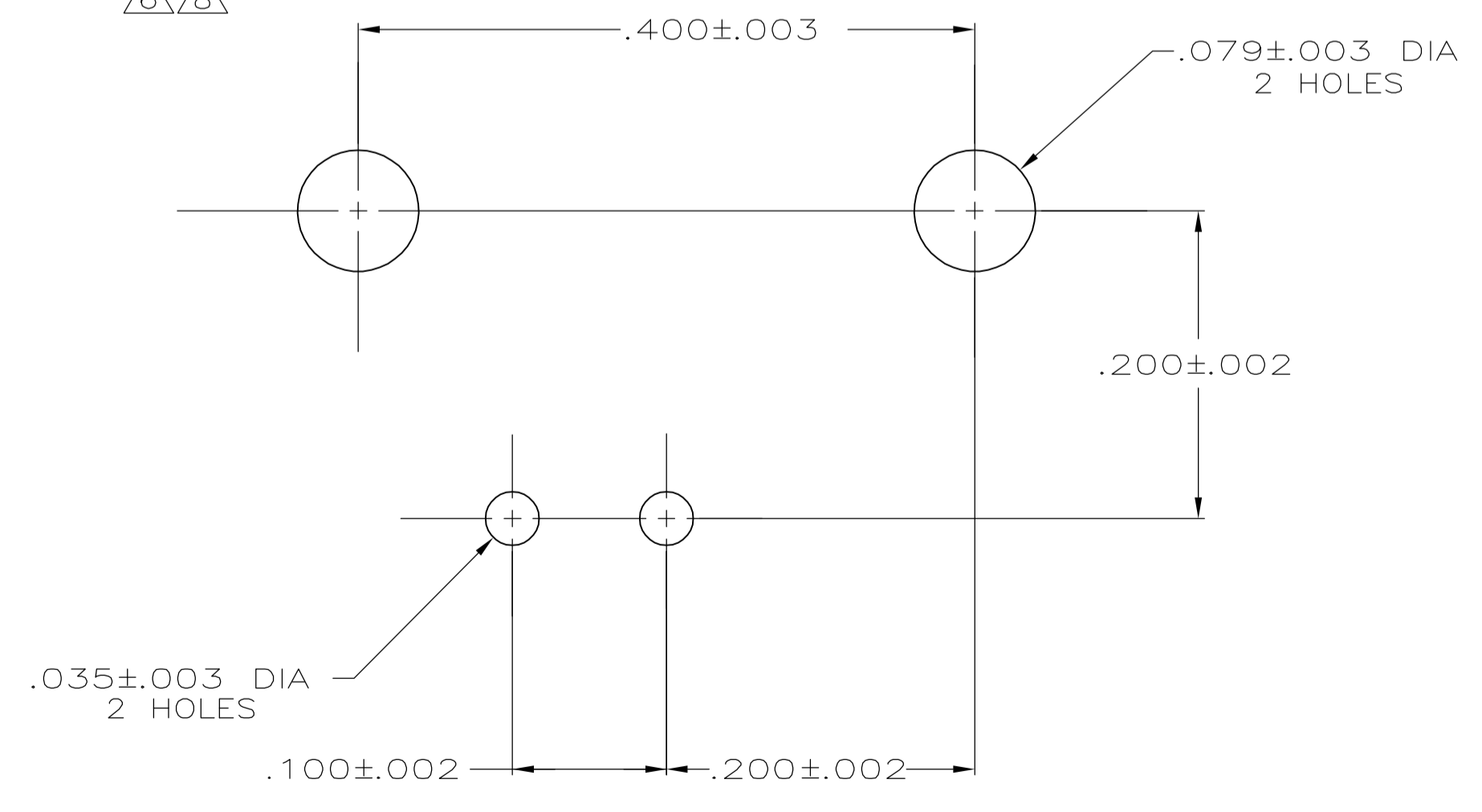
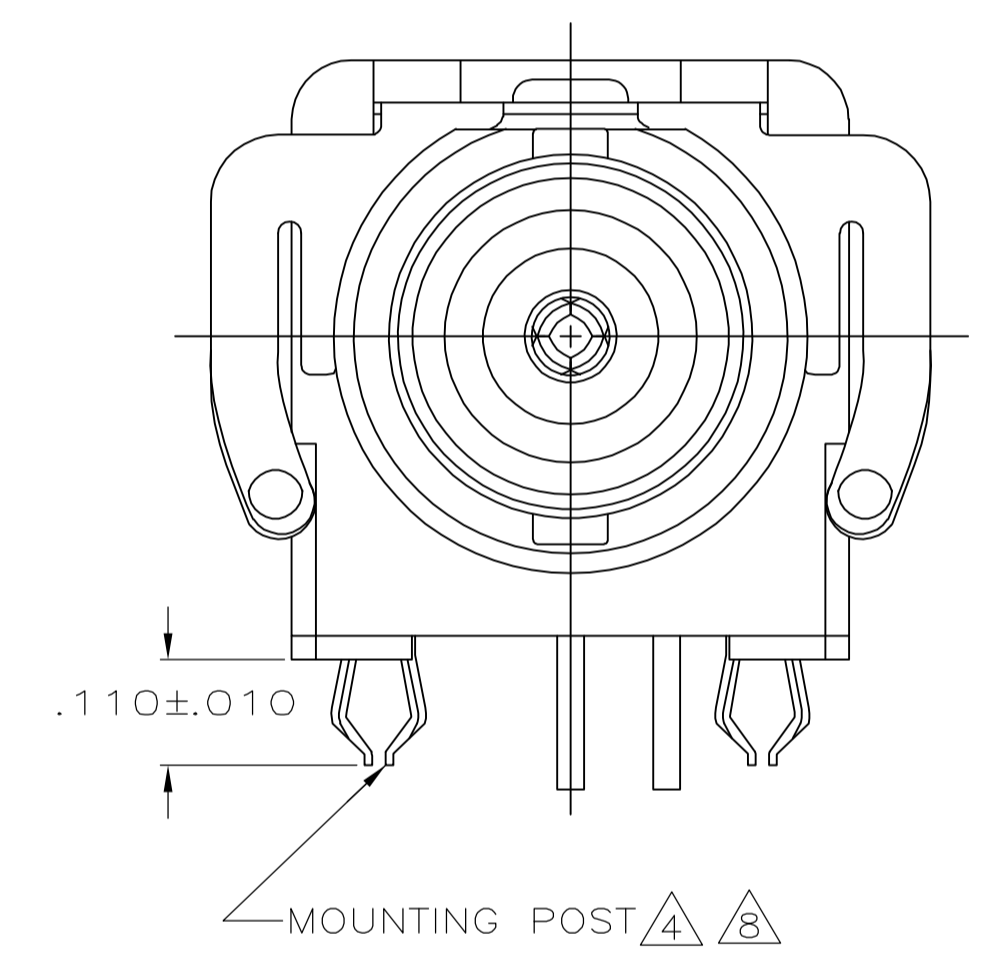
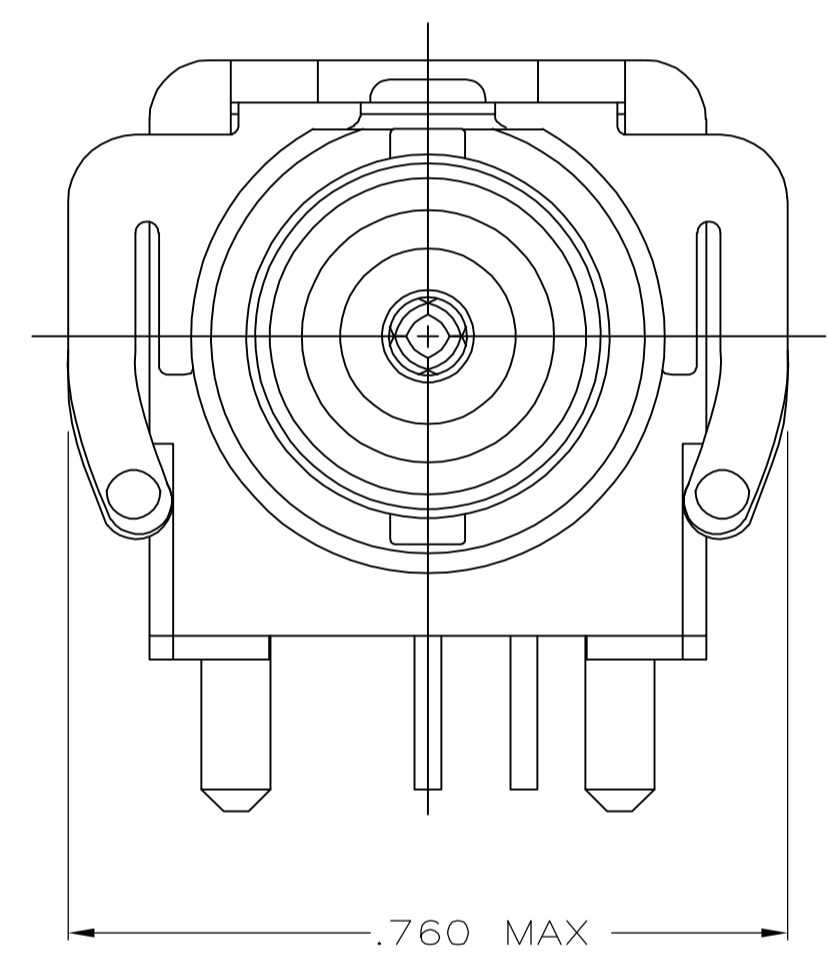
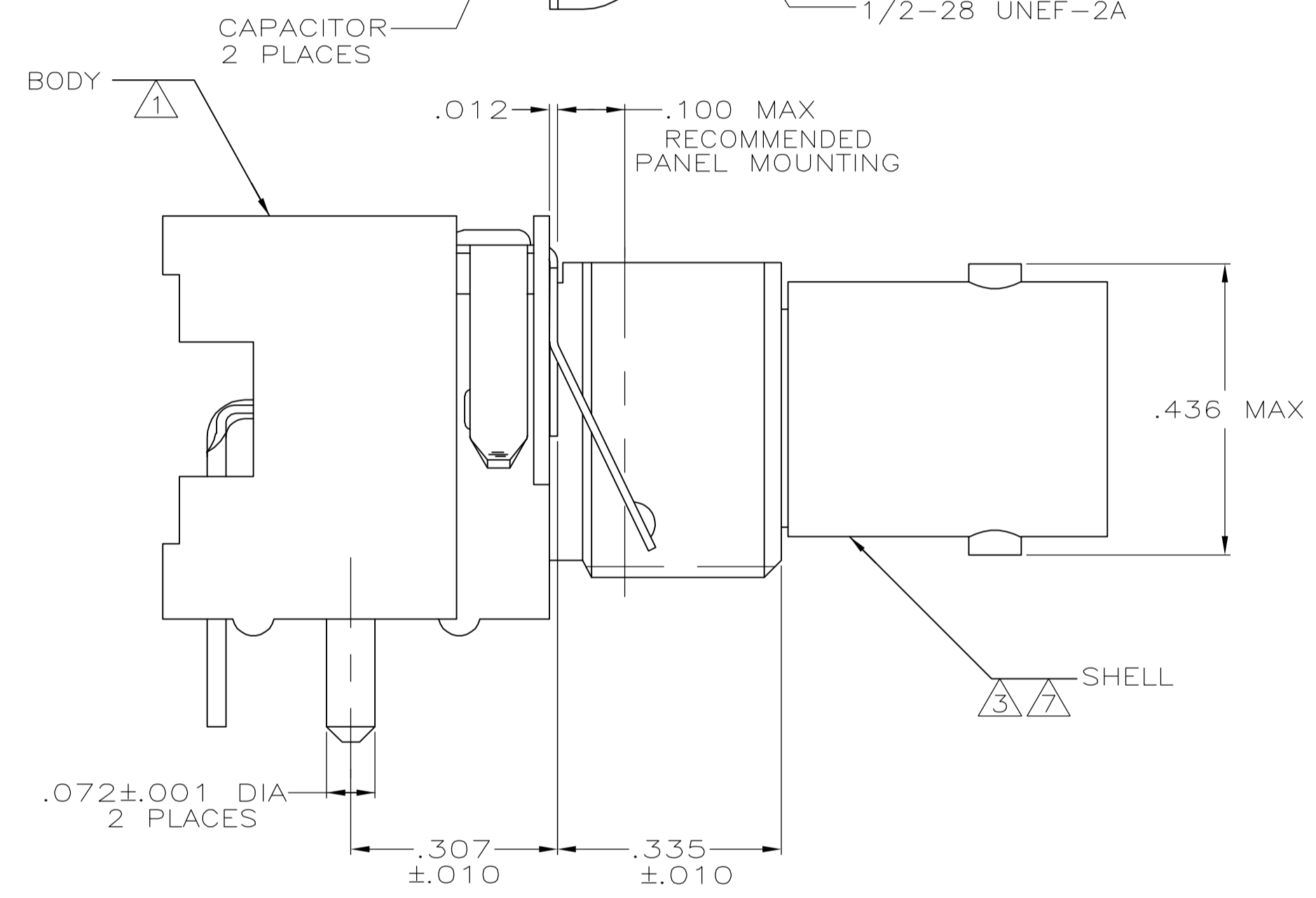
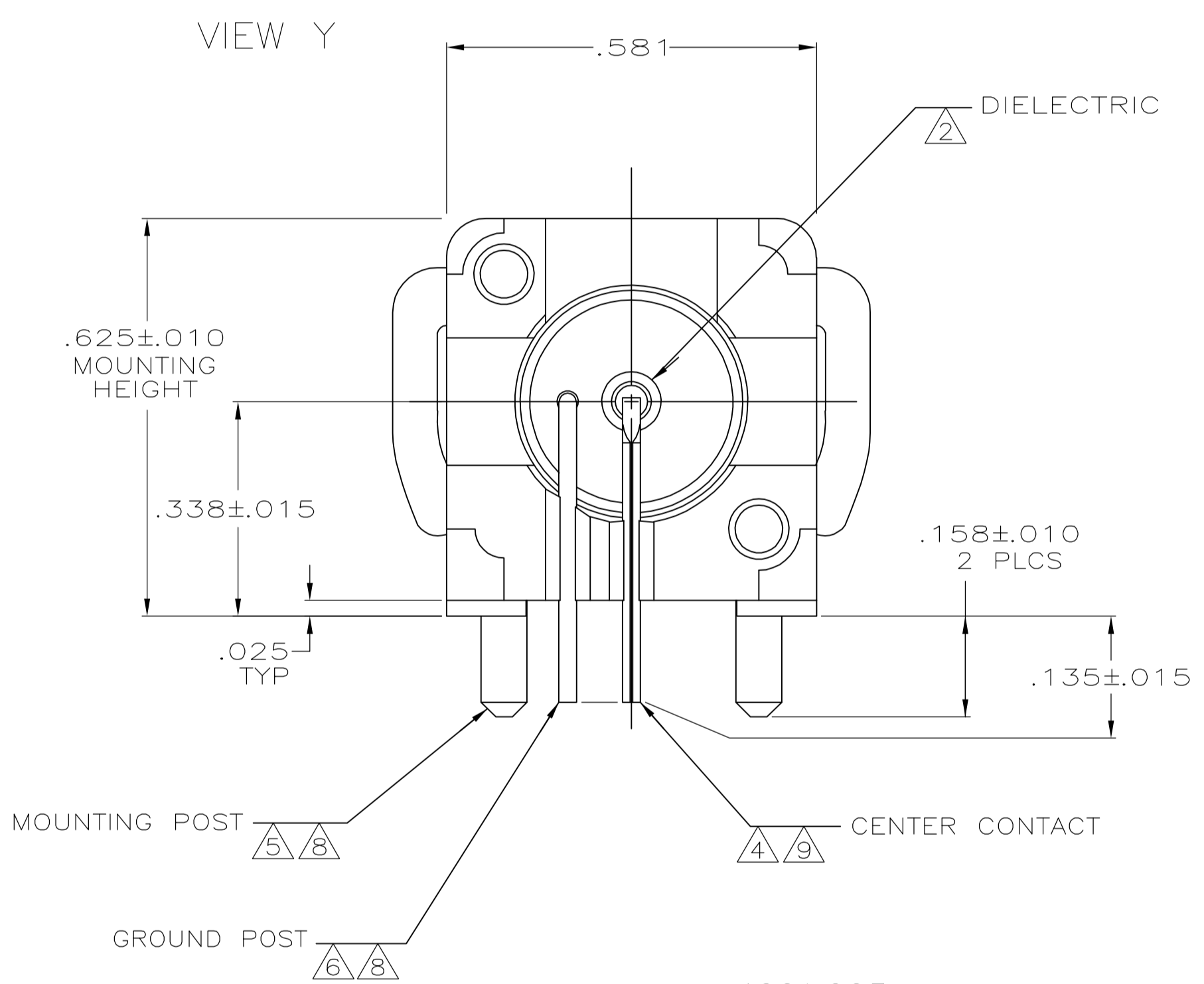


- 1 POLYESTER, PBT, BLACK, PER MIL-M-24519
- 2 POLYMETHYLPENTENE, GENERAL PURPOSE
- 3 ZINC PER QQ-Z-363
- 4 PHOSPHOR BRONZE PER QQ-B-750
- 5 BRASS PER ASTM-B-16
- 6 BRASS PER ASTM-B-453
- 7 NICKEL PL PER QQ-N-290
- 8 TIN PL PER ASTM-B-545
- 9 SELECTIVELY GOLD PLATED ON INTERFACE AREA PER ASTM-B-488, .000030 THK, TIN PLATED ON SOLDER TAIL PER ASTM-B-545, ALL OVER NICKEL PL PER QQ-N-290



VIEW Z	VIEW X	9400 pf, 1500 VDC	5413524-5
VIEW X OR Y	VIEW X	9400 pf, 1500 VDC	5413524-2
MOUNTING POST	CLIP	CAPACITANCE & VOLTAGE	PART NUMBER

P.C.B. CONFIGURATION
SCALE=10:1

RECOMMENDED
PANEL CUTOUT

THIS DRAWING IS A CONTROLLED DOCUMENT.		DWN L. VARELA - 22APR2005	 Tyco Electronics Corporation Harrisburg, PA 17105-3608
DIMENSIONS: INCHES		CHK J. HAVENER	
TOLERANCES UNLESS OTHERWISE SPECIFIED:		APP'D J. LIPPERT	NAME
0 PLC	± -	PRODUCT SPEC	JACK, DECOUPLER, RIGHT ANGLE, PCB, SERIES BNC
1 PLC	± -	APPLICATION SPEC	108-1269
2 PLC	± -	SIZE	A1
3 PLC	± .008	CAGE CODE	00779
4 PLC	± -	DRAWING NO	5413524
ANGLES	± -	WEIGHT	-
FINISH	± -	CUSTOMER DRAWING	SCALE 5:1 SHEET 1 of 1 REV A