

## 5414094-2 Product Details



**5414094-2**

TE Internal Number: 5414094-2

 Active

 View 3D PDF

### Decoupled BNC RF Connectors

 Always EU RoHS/ELV Compliant (Statement of Compliance)

#### Product Highlights:

- Applies To Printed Circuit Board
- Connector Impedance = 75  $\Omega$
- Capacitance = 9,400 pF
- Without ESD Protection
- Voltage Rating = 1500 VDC

[View all Features](#)

### Documentation & Additional Information

#### Product Drawings:

- [JACK, DECOUPLER, PCB, LOW PROFILE, 75 OHM, RIGHT ANG...](#) (PDF, English)

#### Catalog Pages/Data Sheets:

- [Decoupled Connectors](#) (PDF, English)

#### Product Specifications:

- None Available

#### Application Specifications:

- None Available

#### Instruction Sheets:

- None Available

#### CAD Files: (CAD Format & Compression Information)

- [2D Drawing](#) (DXF, Version A)
- [3D Model](#) (IGES, Version A)
- [3D Model](#) (STEP, Version A)

[List all Documents](#)

#### Related Products:

- [Tooling](#)

### Product Features (Please use the Product Drawing for all design activity)

#### Product Type Features:

- Profile = Low
- PCB Mounting Orientation = Right Angle
- PCB Mount Retention = With
- PCB Mount Retention Type = Hold Down Post(s)
- Clip Style = Standard
- Mounting Post Style = Standard
- Dielectric Material = Polymethylpentene
- Gender = Jack

#### Mechanical Attachment:

- Panel Mount Retention = With
- Panel Mount Retention Type = Lockwasher and Nut

#### Electrical Characteristics:

- Connector Impedance ( $\Omega$ ) = 75
- Capacitance (pF) = 9,400
- Voltage Rating (VDC) = 1500

#### Dimensions:

- Mounting Post Length (mm [in]) = 4.01 [0.158]
- Mount Height (Dim B) (mm [in]) = 13.18 [0.519]

#### Body Features:

- ESD Protection = Without
- Body Material = VALOX

#### Industry Standards:

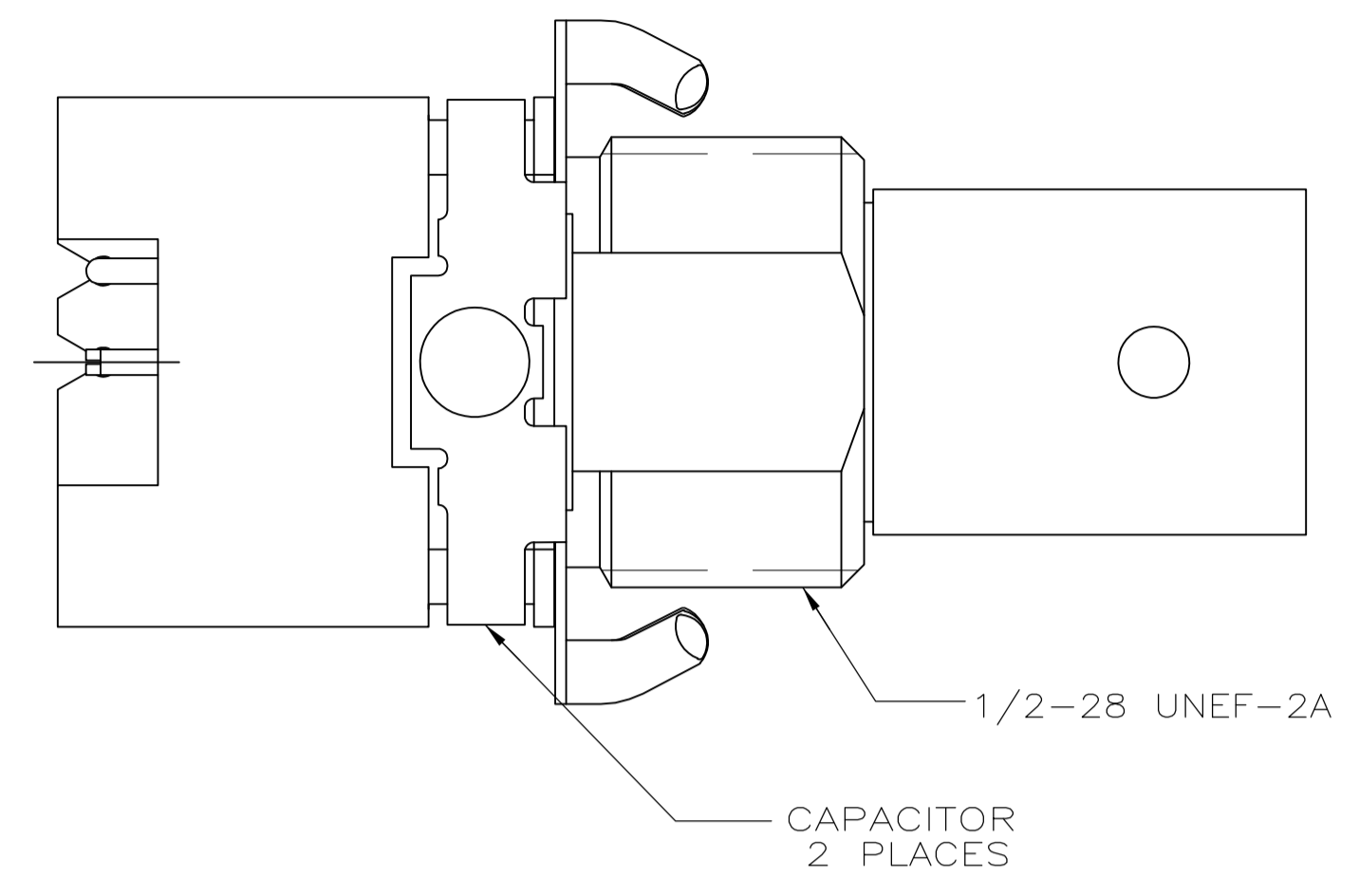
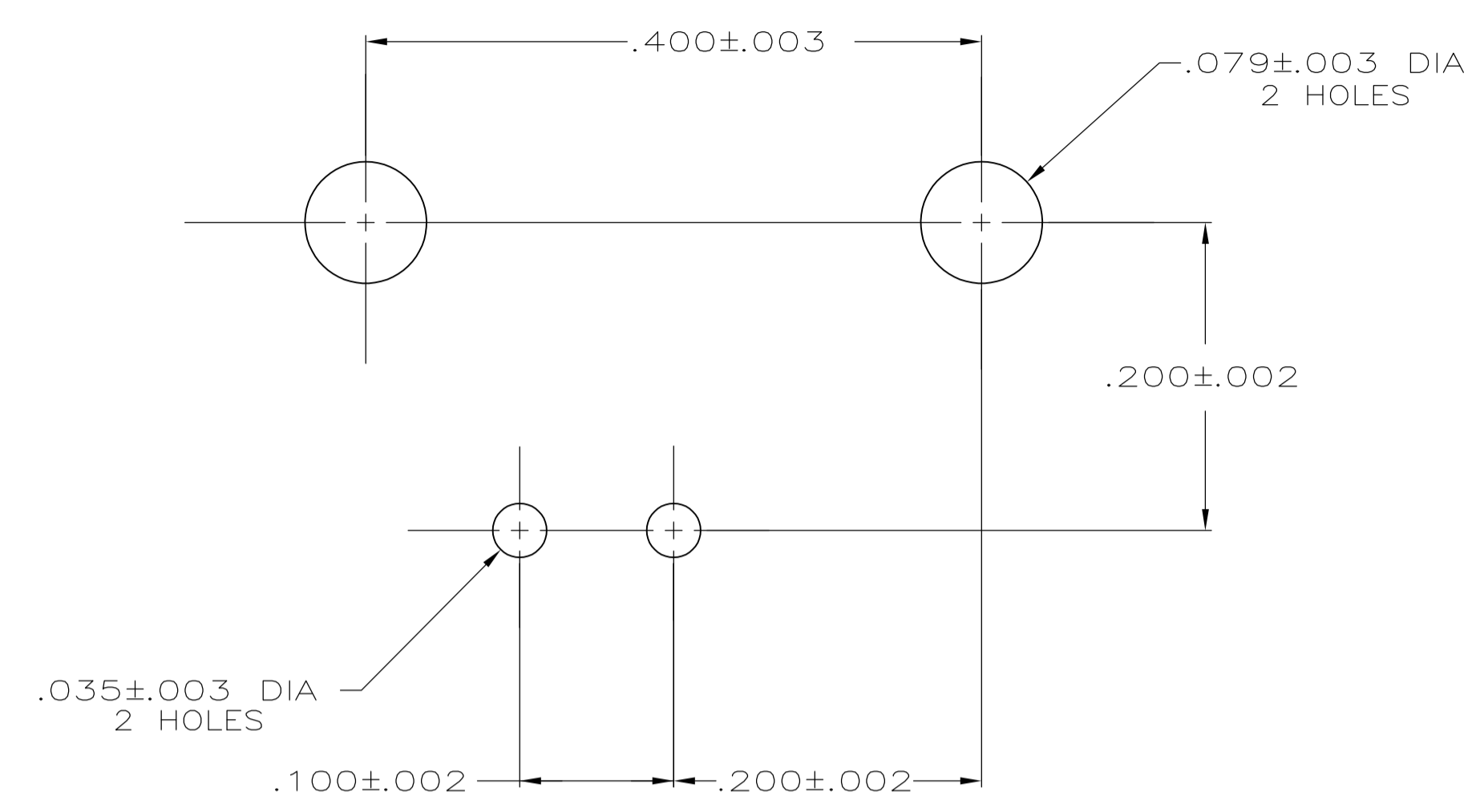
- RoHS/ELV Compliance = RoHS compliant, ELV compliant
- Lead Free Solder Processes = Wave solder capable to 240°C, Wave solder capable to 260°C, Wave solder capable to 265°C
- RoHS/ELV Compliance History = Always was RoHS compliant

#### Conditions for Usage:

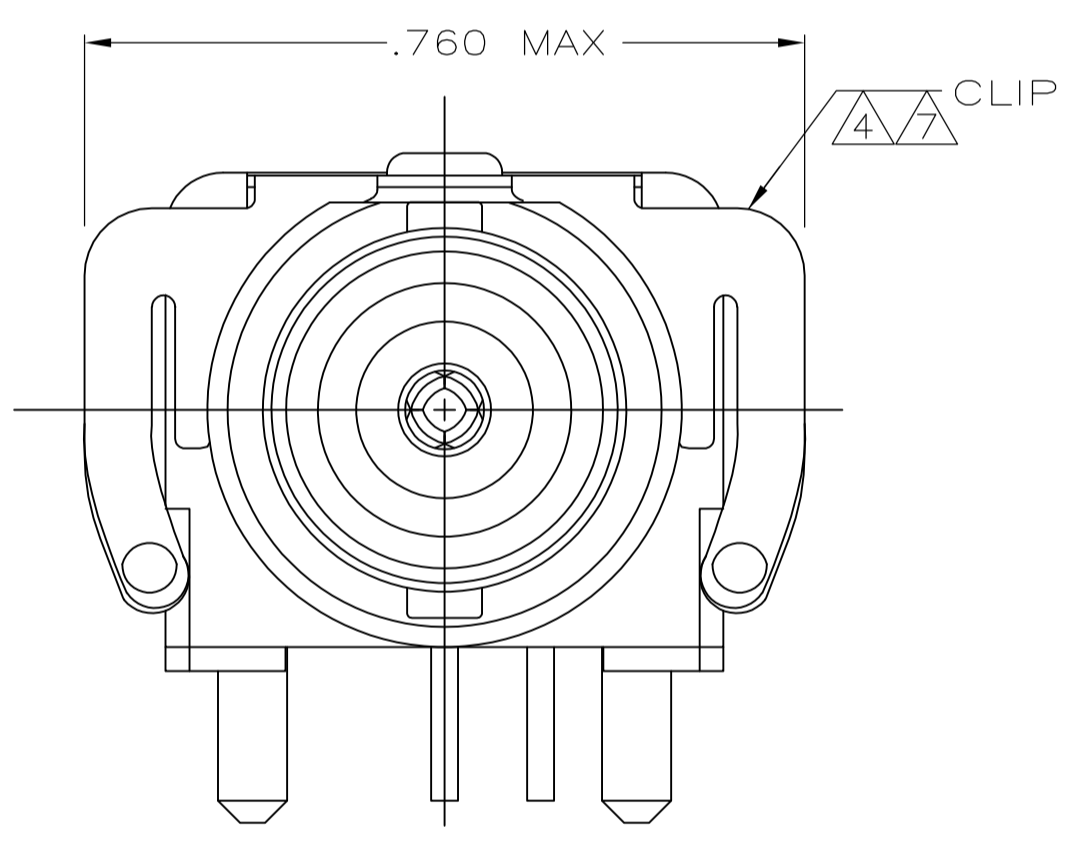
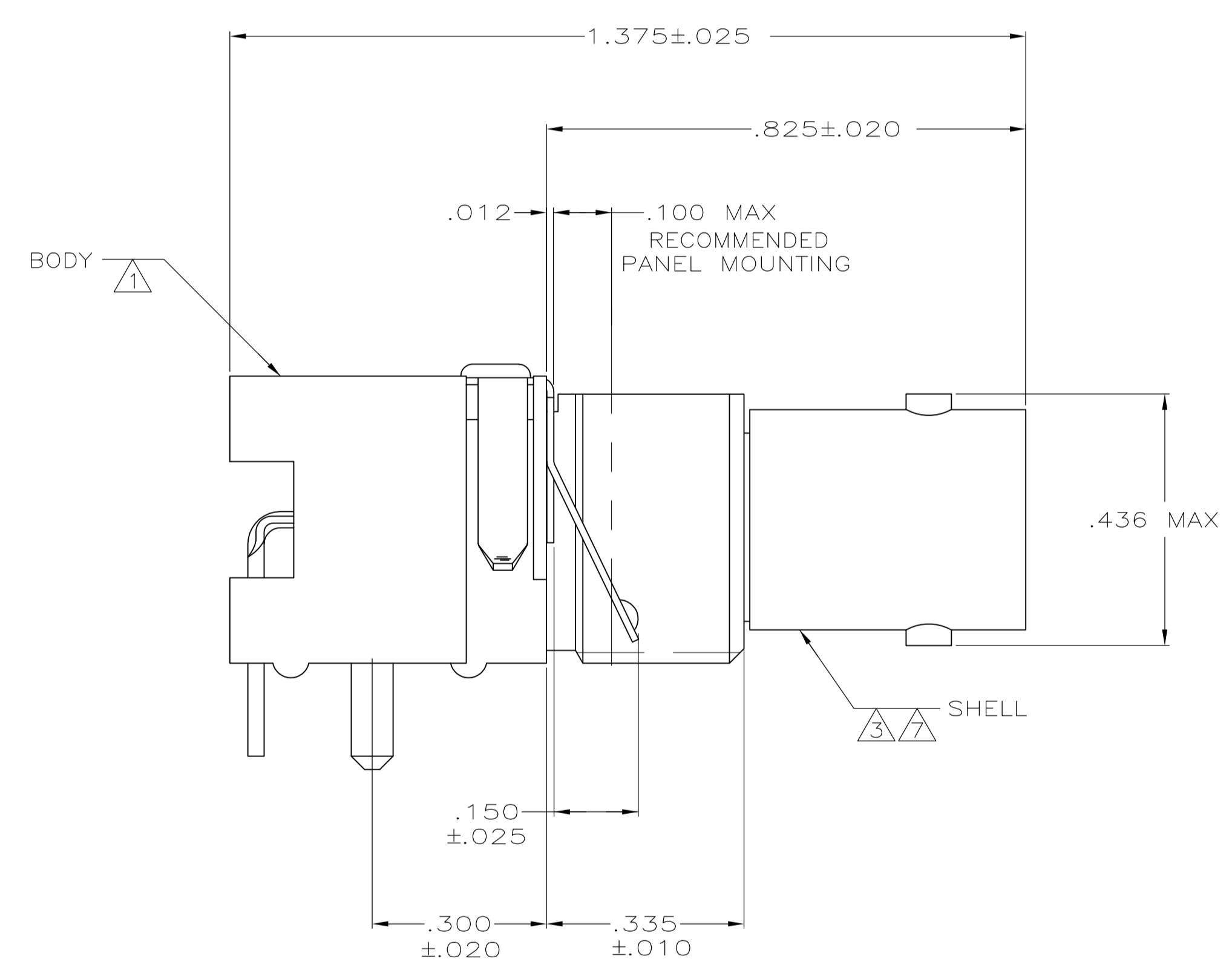
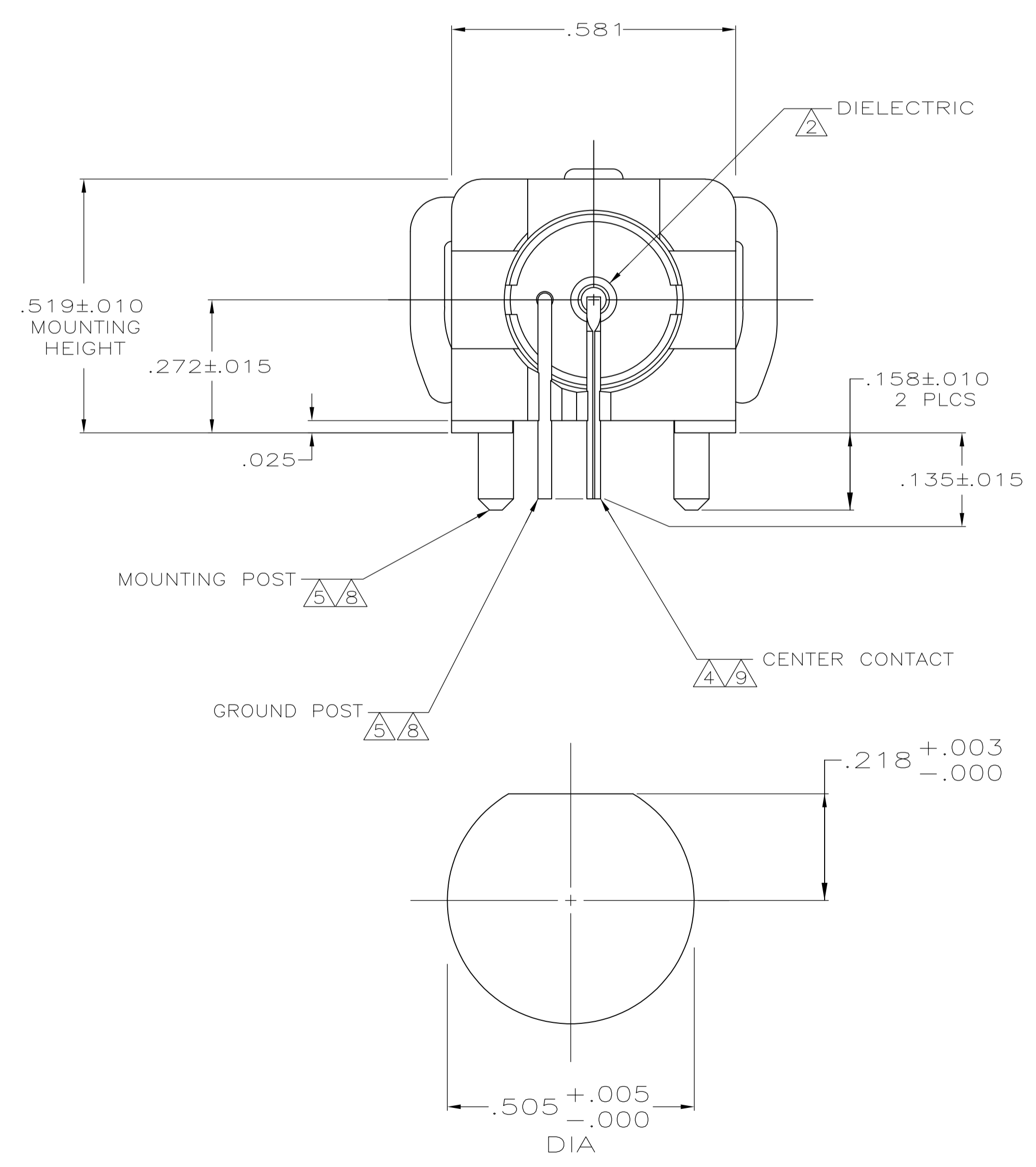
- Applies To = Printed Circuit Board
- Housing Temperature Rating = Standard

#### Other:

- Brand = AMP



- ① POLYESTER, PBT, BLACK, PER MIL-M-24519
- ② POLYMETHYLPENTENE, GENERAL PURPOSE
- ③ ZINC PER QQ-Z-363
- ④ PHOSPHOR BRONZE PER QQ-B-750
- ⑤ BRASS PER ASTM-B-16
- ⑥ BRASS PER ASTM-B-453
- ⑦ NICKEL PLATE PER QQ-N-290
- ⑧ TIN PLATE PER ASTM-B-545
- ⑨ SELECTIVELY GOLD PLATED ON INTERFACE AREA PER ASTM-B-488, .000030 THK, TIN PLATE ON SOLDER TAIL PER ASTM-B-545, ALL OVER NICKEL PL PER QQ-N-290



RECOMMENDED  
PANEL CUTOUT

9400 pf, 1500 VDC	5414094-2
CAPACITANCE & VOLTAGE	PART NUMBER

THIS DRAWING IS A CONTROLLED DOCUMENT.		DIN J. ALCORTA - 26APR2005		Tyco Electronics Corporation	
DIMENSIONS: INCHES		CIK J. HAVENER - DOCK45 26APR2005		Harrisburg, PA 17105-3608	
TOLERANCES UNLESS OTHERWISE SPECIFIED:		APVD J. LIPPERT 26APR2005		NAME	
0 PLC ± -		PRODUCT SPEC		JACK, DECOUPLER,	
1 PLC ± -		APPLICATION SPEC		PCB, LOW PROFILE, 75 OHM,	
2 PLC ± -		SIZE		RIGHT ANGLE, SERIES BNC	
3 PLC ± .008		CAGE CODE		DRAWING NO	
4 PLC ± -		WEIGHT		RESTRICTED TO	
ANGLES ± -		A1 00779		C=5414094	
MATERIAL THRU		CUSTOMER DRAWING		SCALE 5:1 SHEET 1 OF 1 REV B	