

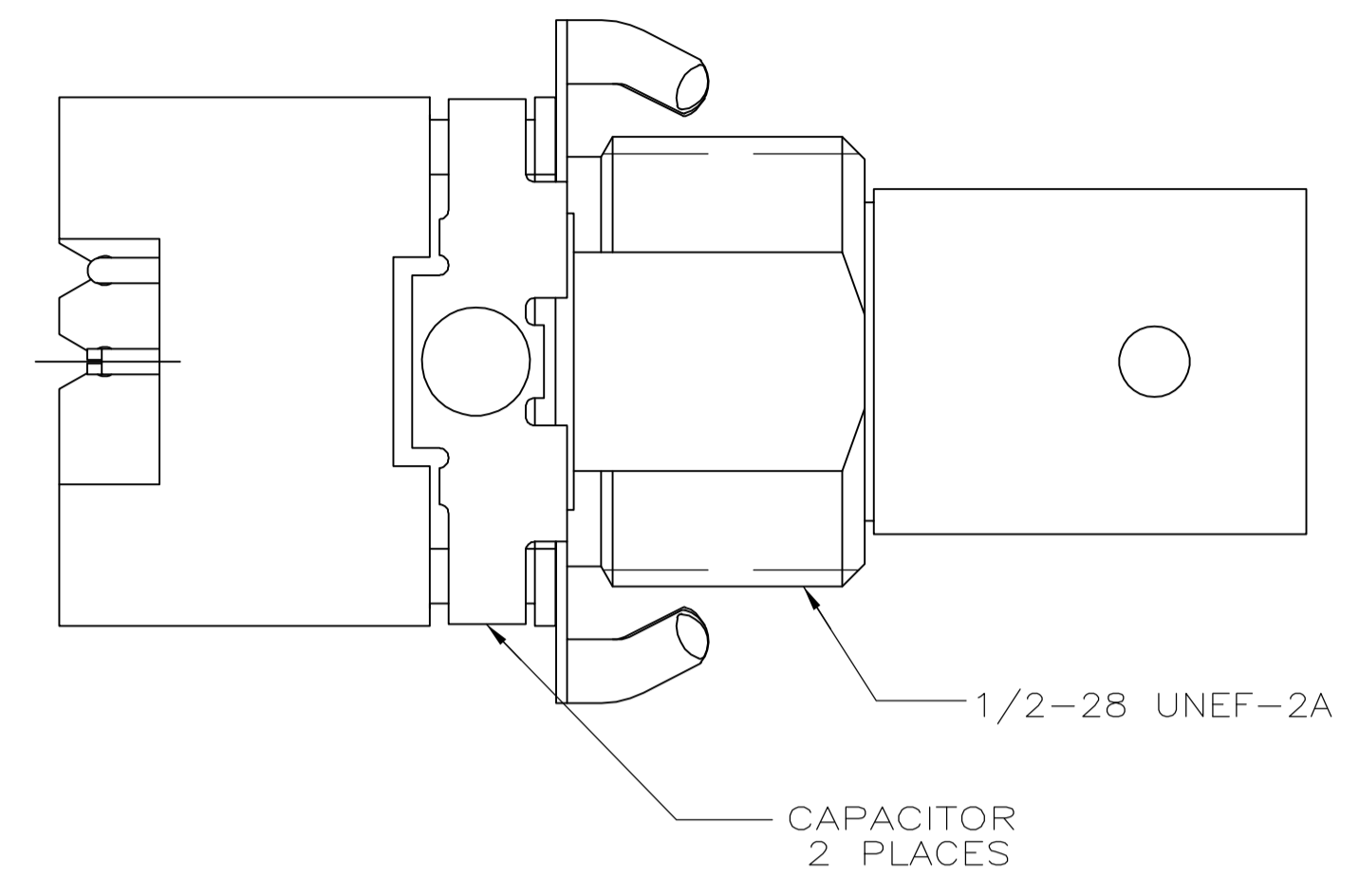
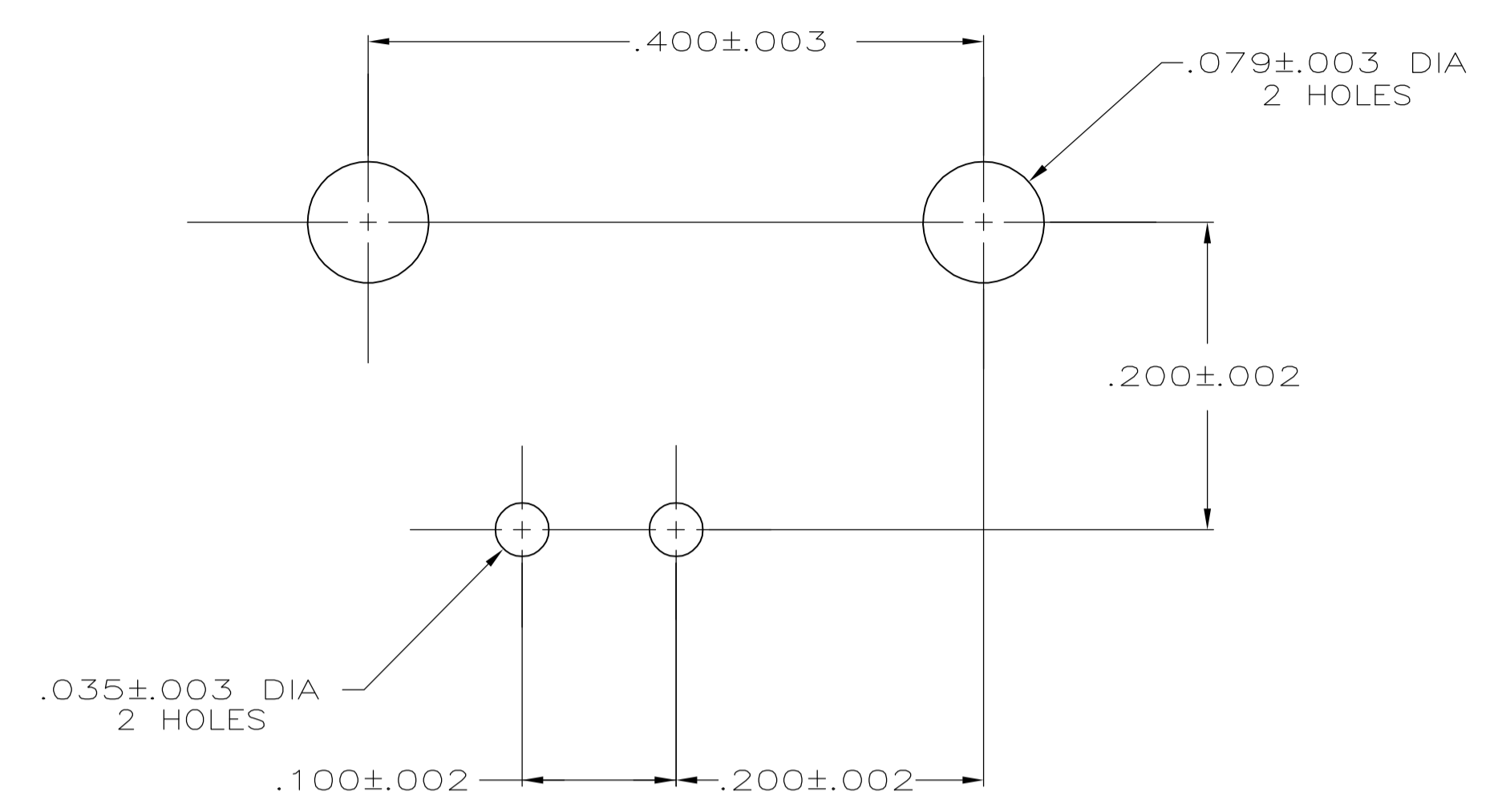
Distributed by:

JAMECO[®]
ELECTRONICS

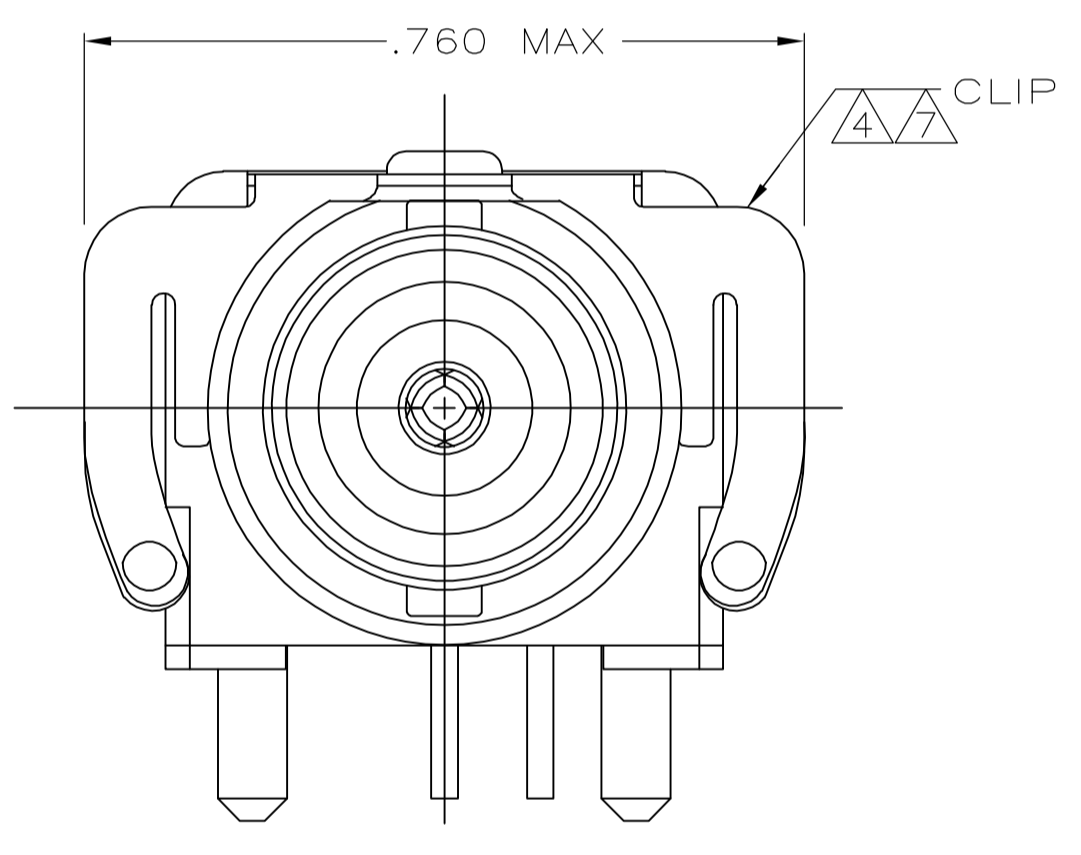
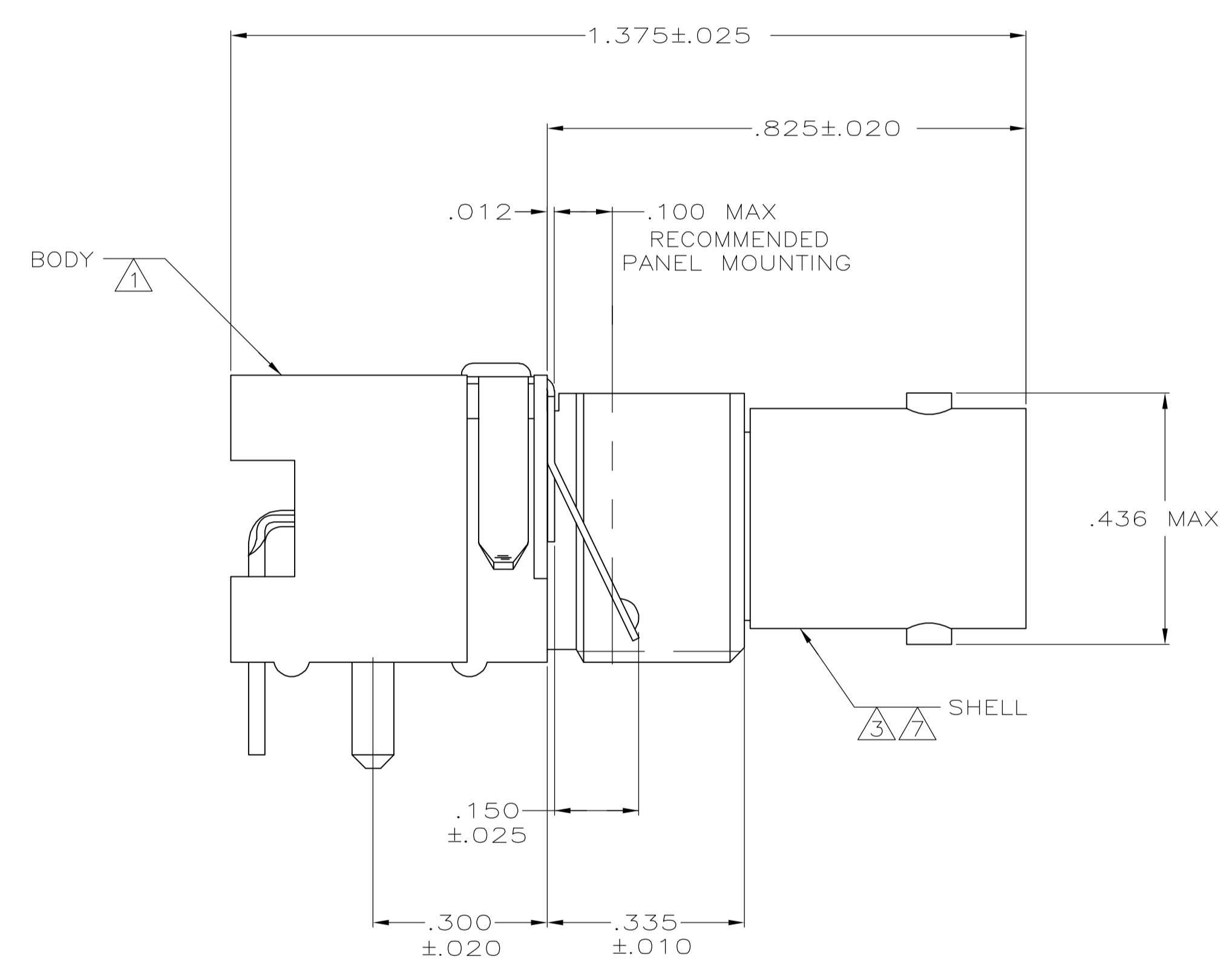
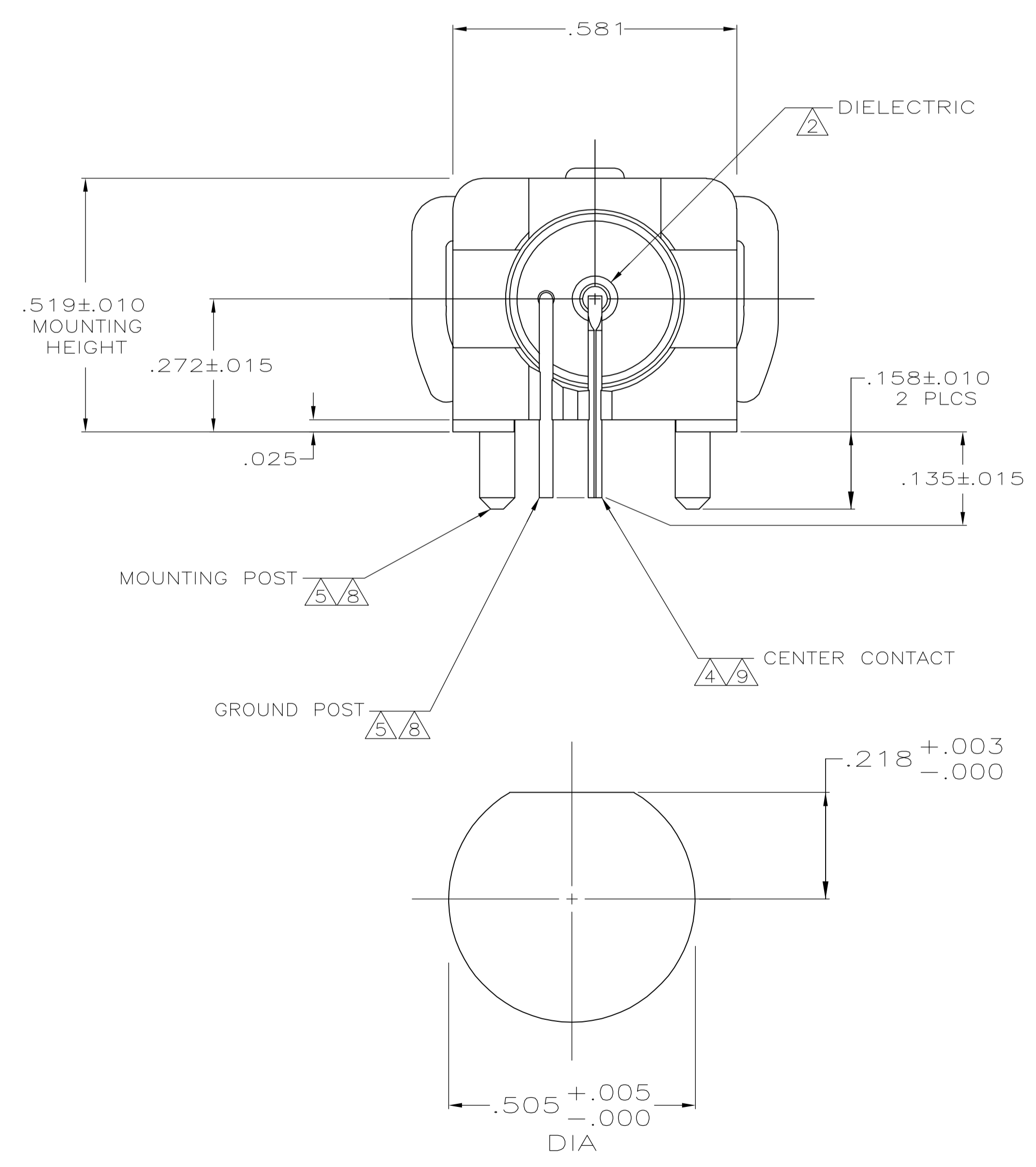
www.Jameco.com ♦ 1-800-831-4242

The content and copyrights of the attached
material are the property of its owner.

Jameco Part Number 754435



- ① POLYESTER, PBT, BLACK, PER MIL-M-24519
- ② POLYMETHYLPENTENE, GENERAL PURPOSE
- ③ ZINC PER QQ-Z-363
- ④ PHOSPHOR BRONZE PER QQ-B-750
- ⑤ BRASS PER ASTM-B-16
- ⑥ BRASS PER ASTM-B-453
- ⑦ NICKEL PLATE PER QQ-N-290
- ⑧ TIN PLATE PER ASTM-B-545
- ⑨ SELECTIVELY GOLD PLATED ON INTERFACE AREA PER ASTM-B-488, .000030 THK, TIN PLATE ON SOLDER TAIL PER ASTM-B-545, ALL OVER NICKEL PL PER QQ-N-290



RECOMMENDED
PANEL CUTOUT

9400 pf, 1500 VDC	5414094-2
CAPACITANCE & VOLTAGE	PART NUMBER

THIS DRAWING IS A CONTROLLED DOCUMENT.		DWN J. ALCORTA - 26APR2005		Tyco Electronics Corporation Harrisburg, PA 17105-3608	
DIMENSIONS: INCHES		CHK J. HAVENER - 26APR2005		NAME	
TOLERANCES UNLESS OTHERWISE SPECIFIED:		APP'D J. LIPPERT - 26APR2005	PRODUCT SPEC		
0 PLC ± -	1 PLC ± -	108-1269			
2 PLC ± -	3 PLC ± .008	APPLICATION SPEC			
4 PLC ± -	ANGLES ± -	SIZE CAGE CODE DRAWING NO			
MATERIAL ① THRU ⑩	FINISH ⑦ ⑧ ⑨ ⑩	A1 00779		C=5414094	
CUSTOMER DRAWING		SCALE 5:1		SHEET 1 of 1 REV A	