

Self-Terminating PC Board Connectors

Product Facts

- Built-in chip resistor terminates the signal line to the proper characteristic impedance when in the unmated state
- Can be ordered with standard resistance values (50, 75 and 100 Ohms)
- Fits into printed circuit board footprint of standard BNC PCB connectors
- One-piece design is compatible with robotic insertion and wave soldering

Tyco Electronics Self-Terminating printed circuit board BNC connectors provide the capability to automatically terminate an input-output port to the system characteristic impedance. This feature eliminates the need for external terminators when an I/O port is not being used. The Self-Terminating BNC jack contains a chip resistor which bridges the signal and ground paths when the connector is not mated to a BNC plug. When mated, the resistor is switched out of the circuit for direct signal transmission to the board.

The footprint of this connector is compatible with standard BNC connectors, allowing it to be easily installed into existing circuit board designs and suitable for robotic insertion for high speed automated assembly onto the PC board.

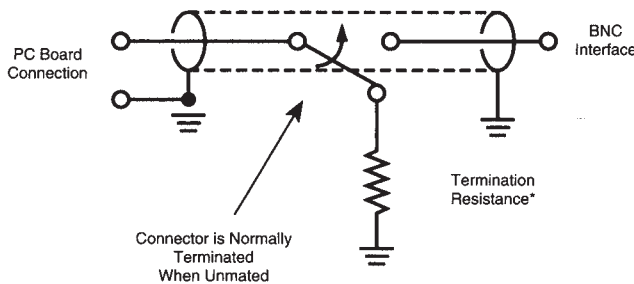
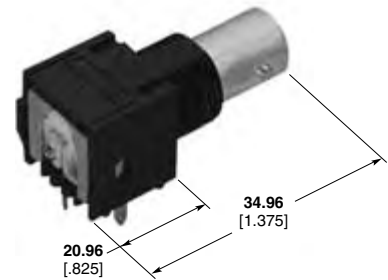
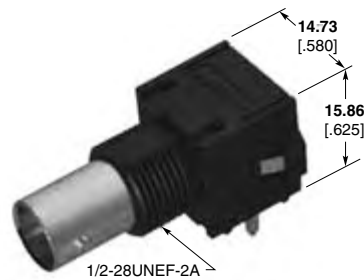
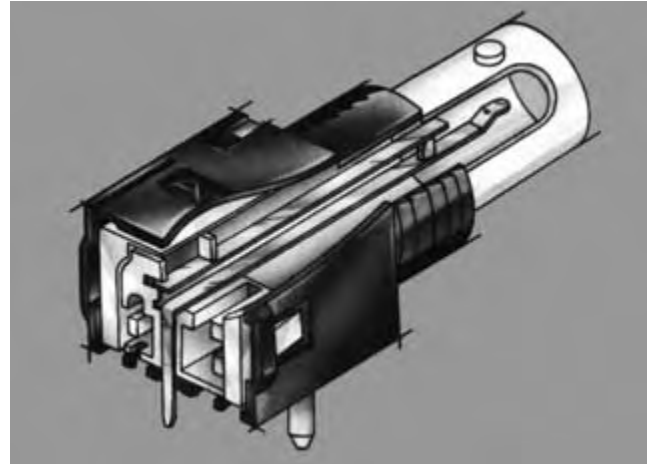
The Self-Terminating BNC is available in standard resistance values for use in networking and video systems. Contact Tyco Electronics for new designs that include switching and capacitively decoupled versions.

Material

Body — Polyester, PBT, black
Dielectric — Polyester, PBT, natural

Plating

Shell — Tin
Center Contact — Gold on mating end and Tin on solder tails



Product	Termination Resistance	Part Number
Self-Terminating BNC PCB	75Ω	5414367-2

Note: Part Numbers are RoHS compliant except: ♦ Indicates non-RoHS compliant.