



Have a Question?
Chat with a Product
Information Specialist

What can we help you find?

[Products](#) [Industries](#) [Resources](#) [About TE](#) [My Account](#) [Innovation](#) [Support Center](#)

5504640-1 Product Details

[Share](#) [Print](#) [Email](#)



5504640-1

TE Internal Number: 5504640-1

Active

[View 3D PDF](#)

SC Connectors and Coupling Receptacles

Always EU RoHS/ELV Compliant (Statement of Compliance)

Product Highlights:

- Coupling Receptacle
- Multimode
- Fiber Type = Multimode Micron
- Housing Color = Beige
- Fiber Optic Connector Type = Duplex

[View all Features](#)

Quick Links

- ▶ [Pricing & Availability](#)
- ▶ [Search for Tooling](#)
- ▶ [Product Feature Selector](#)
- ▶ [Contact Us About This Product](#)

[Add to My Part List](#) [Request Sample](#) [Find Similar Products](#) [Buy Product](#)

Documentation & Additional Information	
<p>Product Drawings:</p> <ul style="list-style-type: none"> • RECEPTACLE ASSEMBLY, DUPLEX, SC TO SC,MULTIMODE (PDF, English) <p>Catalog Pages/Data Sheets:</p> <ul style="list-style-type: none"> • Fiber Optic Catalog - Fiber Optic Products (PDF, English) • Enterprise Networks EMEA Product Catalog (PDF, English) <p>Product Specifications:</p> <ul style="list-style-type: none"> • None Available <p>Application Specifications:</p> <ul style="list-style-type: none"> • None Available <p>Instruction Sheets:</p> <ul style="list-style-type: none"> • None Available <p>CAD Files: (CAD Format & Compression Information)</p> <ul style="list-style-type: none"> • 2D Drawing (DXF, Version C) • 3D Model (IGES, Version C) • 3D Model (STEP, Version C) <p style="text-align: right;">List all Documents</p>	<p>Related Products:</p> <ul style="list-style-type: none"> • Tooling

Product Features (Please use the Product Drawing for all design activity)	
<p>Product Type Features:</p> <ul style="list-style-type: none"> • Product Type = Coupling Receptacle • Fiber Optic Connector Type = Duplex • Protective Cover = With <p>Mechanical Attachment:</p> <ul style="list-style-type: none"> • Panel Mount Retention Type = Flanged <p>Termination Features:</p> <ul style="list-style-type: none"> • Fiber Type (Micron) = Multimode <p>Body Features:</p> <ul style="list-style-type: none"> • Alignment Sleeve Material = Metal <p>Contact Features:</p> <ul style="list-style-type: none"> • EMI Shielded Flange = No 	<p>Housing Features:</p> <ul style="list-style-type: none"> • Housing Color = Beige • Housing Material = Plastic <p>Configuration Features:</p> <ul style="list-style-type: none"> • Mode = Multimode <p>Industry Standards:</p> <ul style="list-style-type: none"> • RoHS/ELV Compliance = RoHS compliant, ELV compliant • Lead Free Solder Processes = Not relevant for lead free process • RoHS/ELV Compliance History = Always was RoHS compliant <p>Product Availability:</p> <ul style="list-style-type: none"> • Region = Asia, EMEA, North America, Latin America, Australia/New Zealand <p>Other:</p> <ul style="list-style-type: none"> • Brand = AMP

Corporate Information

- [About TE](#)
- [Investors](#)
- [News Room](#)
- [Supplier Portal](#)

Quick Links

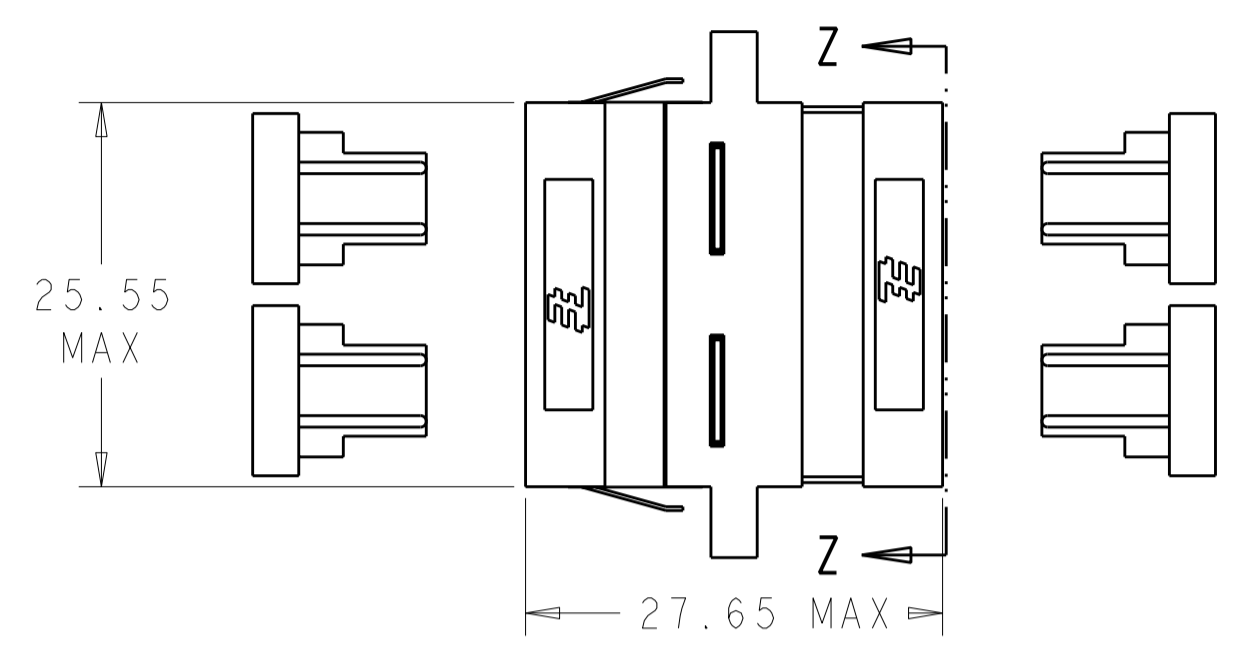
- [Distributor Inventory](#)
- [Product Cross Reference](#)
- [Documents & Drawings](#)
- [Product Compliance Support Center](#)

Customer Support

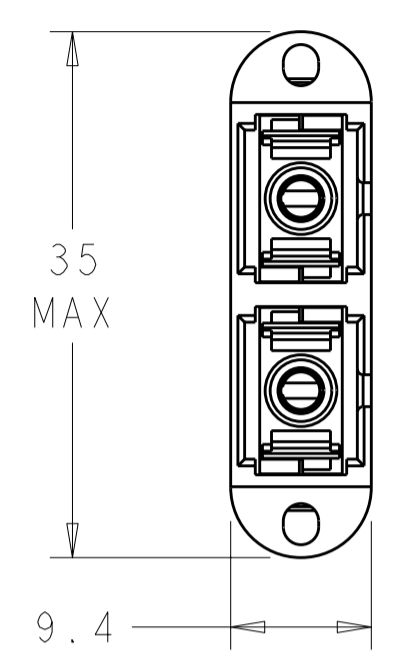
- [Email or Chat With Us](#)
- [Find a Phone Number](#)
- [Knowledge Base](#)
- [Manage Your Account](#)

THIS DRAWING IS UNPUBLISHED. RELEASED FOR PUBLICATION 20
 © COPYRIGHT 20 ALL RIGHTS RESERVED.

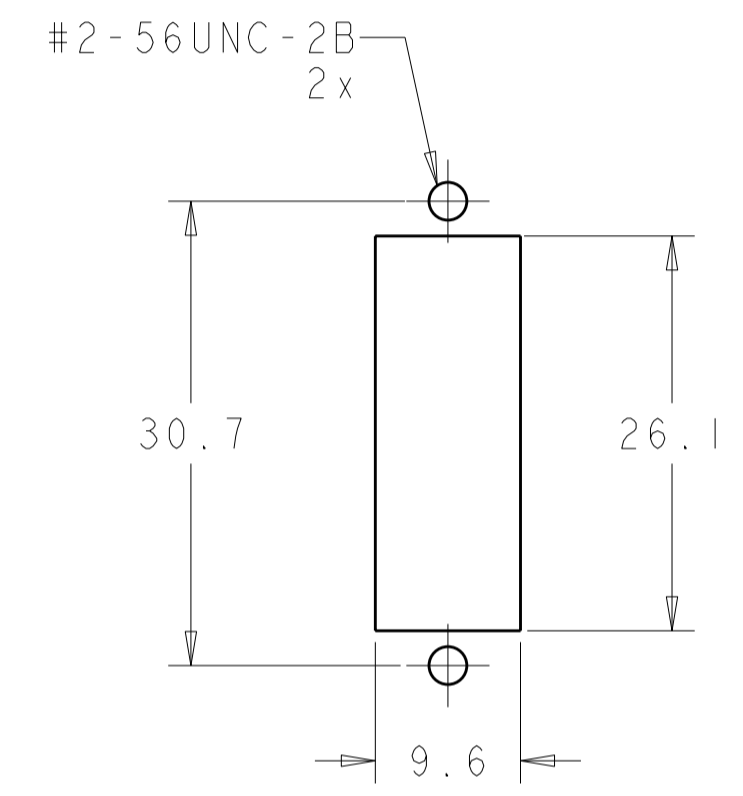
REVISIONS							
LOC	DIST	P	LTR	DESCRIPTION	DATE	DWN	APVD
HG	-		C3	REVISED PER ECO-11-005140	16APR2011	RK	HMR



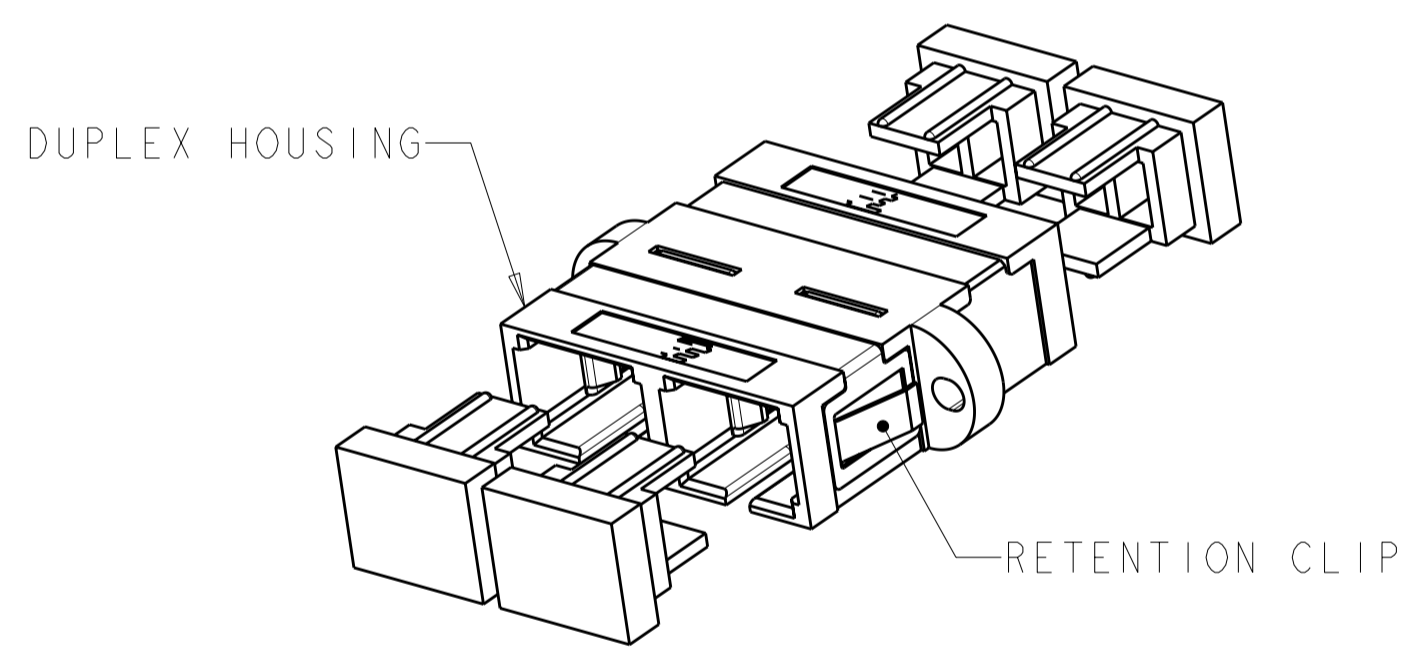
SCALE 2:1



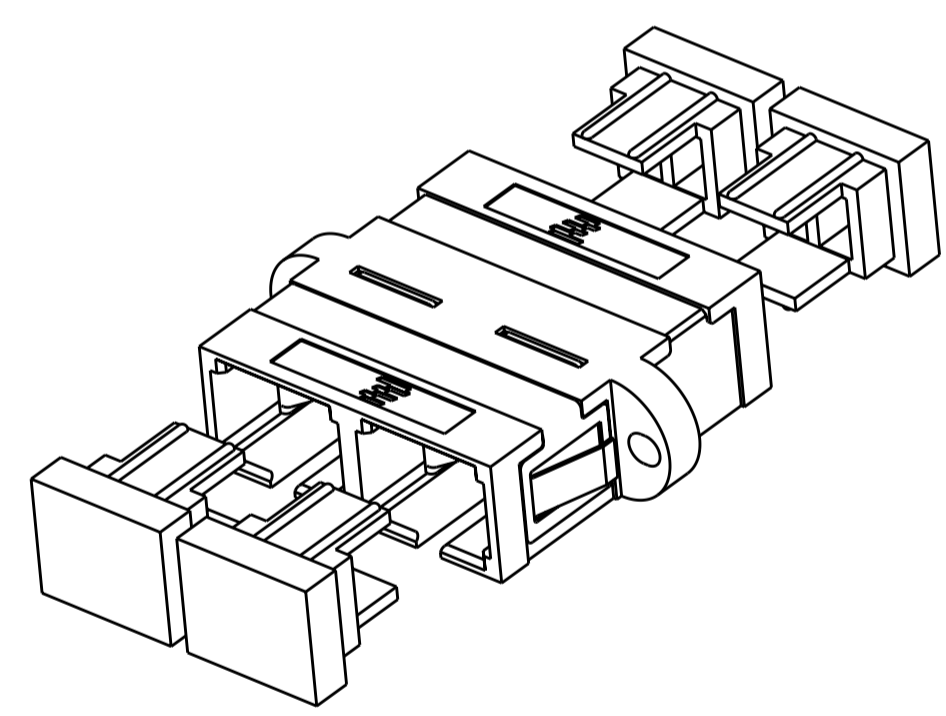
SECTION Z-Z



SCALE 2:1
 SUGGESTED PANEL CUTOUT
 MAX PANEL THICKNESS 1.7



5504640-1/-2/-3/-4/-5/-6
 (WITHOUT TE LOGO)



5504640-7/-8
 (WITH TE LOGO)

1 MATERIAL:
 HOUSING: PBT-GF30, SEE DASH NUMBERS FOR COLOR.*
 RETAINER: PEI-GF30, COLOR: BLACK.*
 RETENTION CLIP: STAINLESS STEEL.
 ALIGNMENT SLEEVE: METAL.
 PROTECTIVE COVER: TPE, COLOR: BLACK.*
 *UL94 V-0 RATED AT QUALIFYING THICKNESS.

2 BULK PACKAGE.

NONE	LT. ALMOND	5504640-8
RETENTION CLIP	BEIGE	5504640-7
RETENTION CLIP	AQUA	5504640-6
RETENTION CLIP	BLACK	5504640-4
NONE	LT ALMOND	5504640-3
RETENTION CLIP	BEIGE	5504640-2
RETENTION CLIP	BEIGE	5504640-1
INCLUDED HARDWARE	COLOR	PART NUMBER

THIS DRAWING IS A CONTROLLED DOCUMENT.		DWN B. BRIGGS 16MAY2005	TE Connectivity	
DIMENSIONS: mm		CHK S. MILLER 16MAY2005		
TOLERANCES UNLESS OTHERWISE SPECIFIED:		APVD S. BUCHTER 16MAY2005	NAME RECEPTACLE ASSEMBLY, DUPLEX, SC TO SC, MULTIMODE	
0 PLC ± 1 PLC ±0.1 2 PLC ±0.05 3 PLC ± 4 PLC ± ANGLES ± FINISH ±		PRODUCT SPEC -	SIZE A2	
MATERIAL		APPLICATION SPEC -	CAGE CODE 200779	DRAWING NO 5504640
1		WEIGHT -	RESTRICTED TO -	SCALE 4:1
CUSTOMER DRAWING		SHEET 1 OF 1 REV C3		