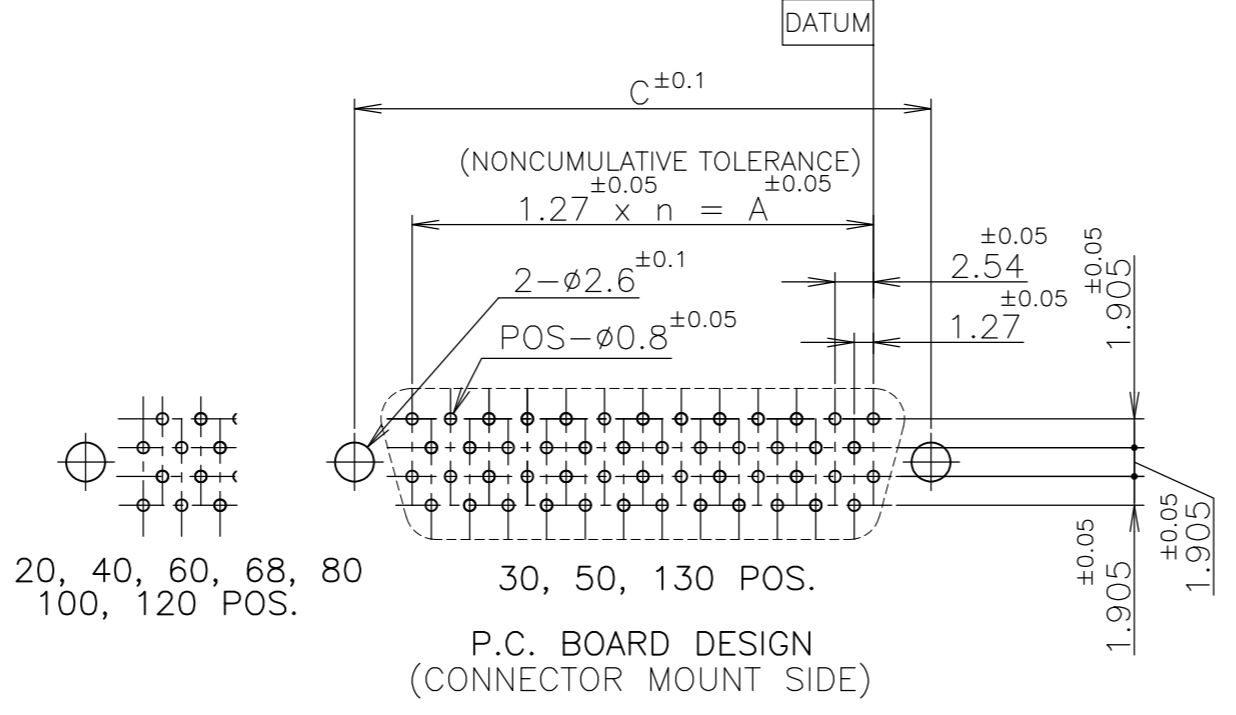
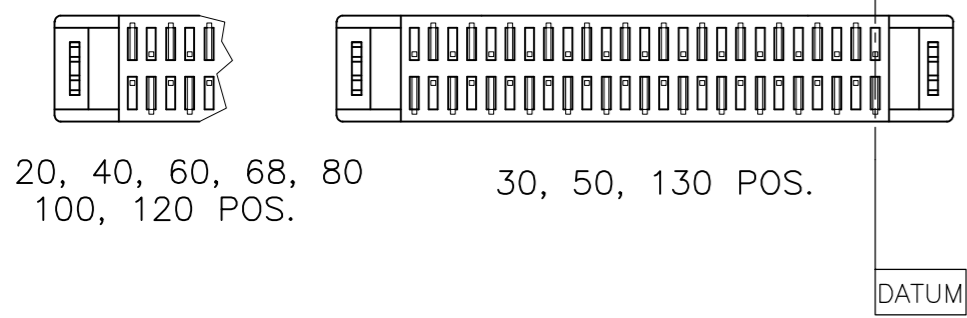
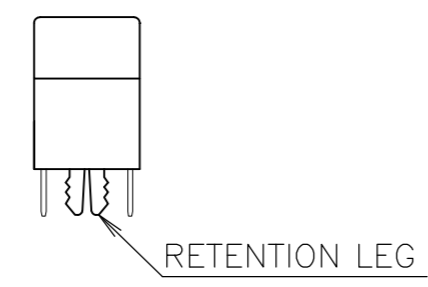
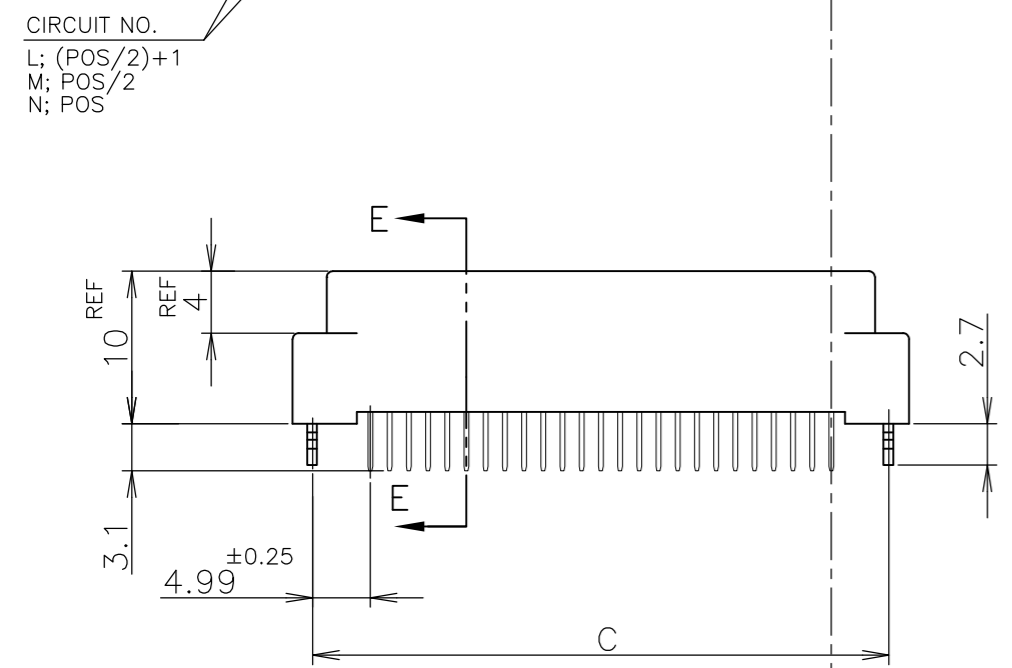
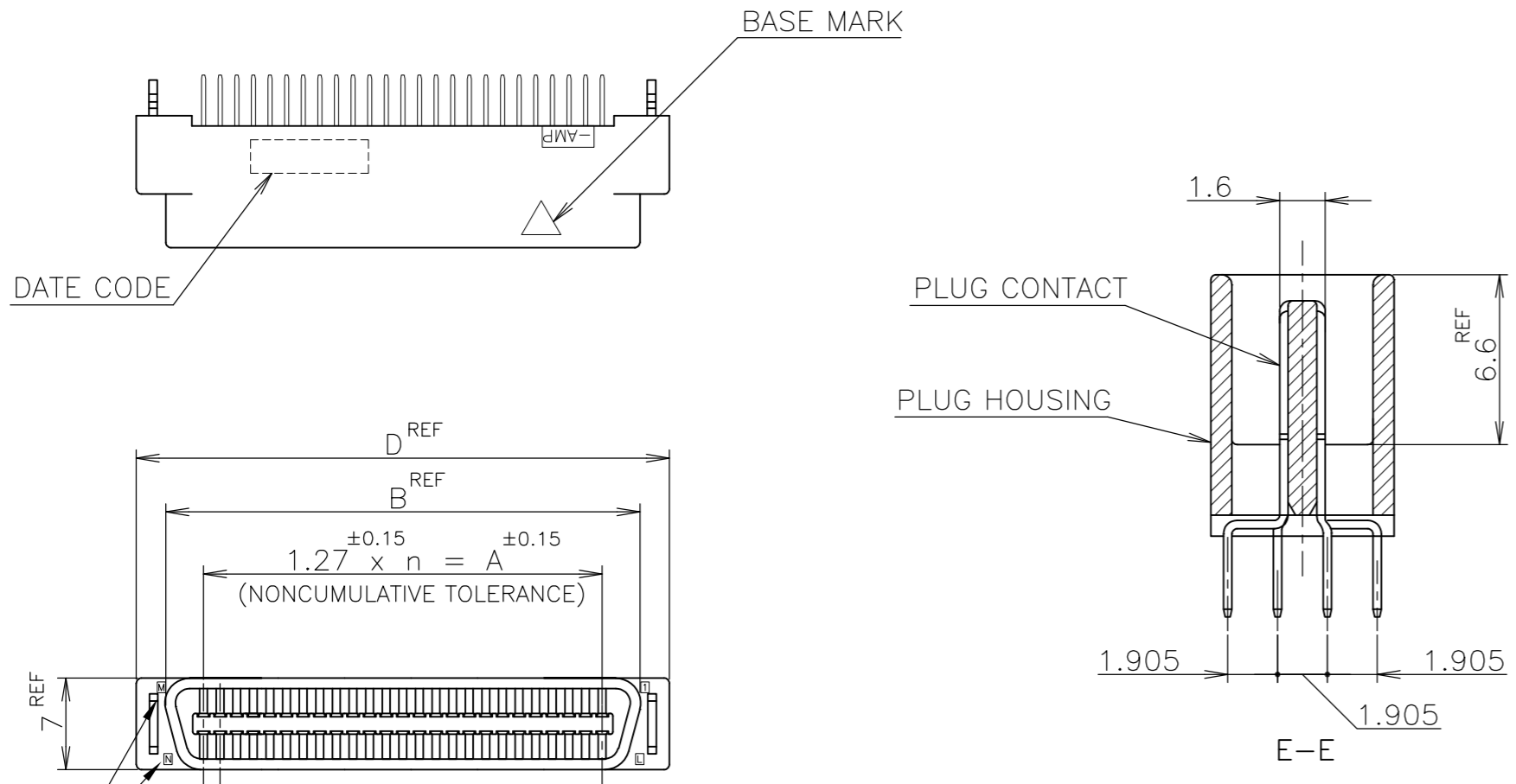


THIS DRAWING IS UNPUBLISHED. RELEASED FOR PUBLICATION OCT., 1988.  
 © COPYRIGHT 1988 A1 ALL RIGHTS RESERVED.

LOC	DIST	REVISIONS					
ES	00	P	LTR	DESCRIPTION	DATE	DWN	APVD
		A1		REVISED PER ECO-11-005033	26MAR11	RK	HMR

- 1 NUMBER "n" S COUNTED FROM DATUM (CIRCUIT NO.1 IS "AMP" MARK SIDE.)
- 2 MATERIAL: HOUSING; 66 NYLON (GF) UL 94V-0, BLACK.  
: CONTACT; PHOSPHOR BRONZE.  
: RETENTION LEG; BRASS.
- 3 FINISH: CONTACT; Au AT CONTACT AREA (SEE TABLE),  
TIN AT TINE OVER Ni.  
RETENTION LEG; TIN UNDER Ni.



6-	-2		130	64	81.28	89.62	91.25	93.90
6-	-1		120	59	74.93	83.27	84.90	87.55
6-	-0		100	49	62.23	70.57	72.20	74.85
5-	-9		80	39	49.53	57.87	59.50	62.15
5-	-8		68	33	41.91	50.25	51.88	54.53
5-	-7		60	29	36.83	45.17	46.80	49.45
5-	-6		50	24	30.48	38.82	40.45	43.10
5-	-5		40	19	24.13	32.47	34.10	36.75
5-	-3		30	14	17.78	26.12	27.75	30.40
5-	-1	0.00076	20	9	11.43	19.77	21.40	24.05
4-	-2		130	64	81.28	89.62	91.25	93.90
4-	-1		120	59	74.93	83.27	84.90	87.55
4-	-0		100	49	62.23	70.57	72.20	74.85
3-	-9		80	39	49.53	57.87	59.50	62.15
3-	-8		68	33	41.91	50.25	51.88	54.53
3-	-7		60	29	36.83	45.17	46.80	49.45
3-	-6		50	24	30.48	38.82	40.45	43.10
3-	-5		40	19	24.13	32.47	34.10	36.75
3-	-3		30	14	17.78	26.12	27.75	30.40
3-	-1	0.0005	20	9	11.43	19.77	21.40	24.05
1-	-2		130	64	81.28	89.62	91.25	93.90
1-	-1		120	59	74.93	83.27	84.90	87.55
1-	-0		100	49	62.23	70.57	72.20	74.85
	-9		80	39	49.53	57.87	59.50	62.15
	-8		68	33	41.91	50.25	51.88	54.53
	-7		60	29	36.83	45.17	46.80	49.45
	-6		50	24	30.48	38.82	40.45	43.10
	-5		40	19	24.13	32.47	34.10	36.75
	-3		30	14	17.78	26.12	27.75	30.40
5175473-1		0.0002	20	9	11.43	19.77	21.40	24.05
PART NO.	Au PLATE	POS.	n	A	B	C	D	

LEAD FREE

GENERAL TOLERANCE	
10 ≥	±0.2
30 >	±0.25
100 ≥	±0.3
ANGLES: ±3°	

THIS DRAWING IS A CONTROLLED DOCUMENT.

DWN: Julyee Zhu 19AUG2004	TE Connectivity					
CHK: Steven Yao 19AUG2004						
APVD: Ikuo Enomoto 19AUG2004						
NAME: 108-60038						
DIMENSIONS: mm	TOLERANCES UNLESS OTHERWISE SPECIFIED:	PRODUCT SPEC	APPLICATION SPEC			
0 PLC ±	1 PLC ±	2 PLC ±	3 PLC ±	4 PLC ±	ANGLES ±	FINISH
MATERIAL	FINISH	WEIGHT	CUSTOMER DRAWING			

SIZE: A2	CAGE CODE: 00779	DRAWING NO: C=5175473	RESTRICTED TO
SCALE: NTS	SHEET: 1 OF 1	REV: A1	