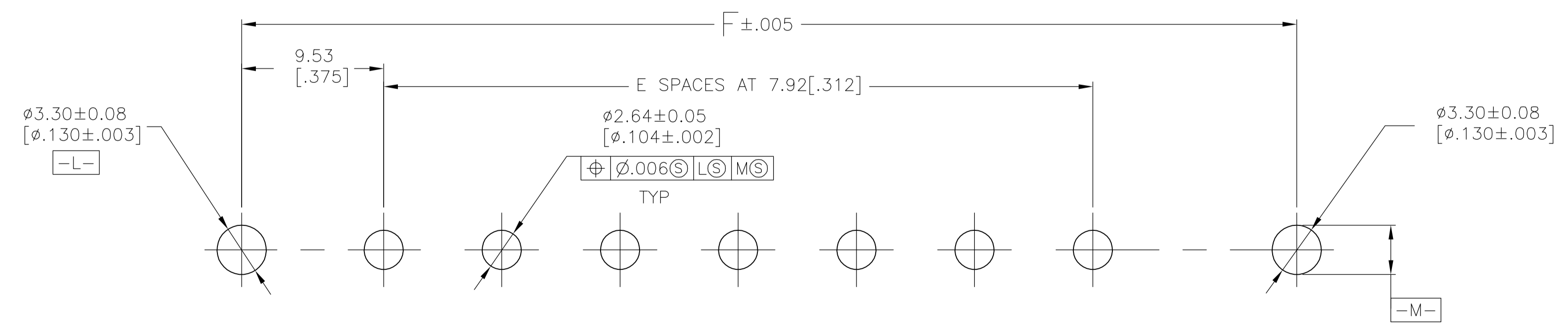
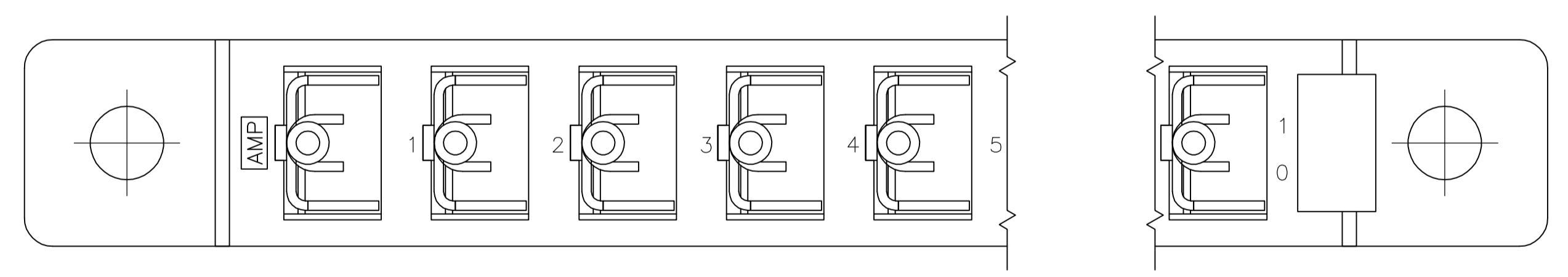
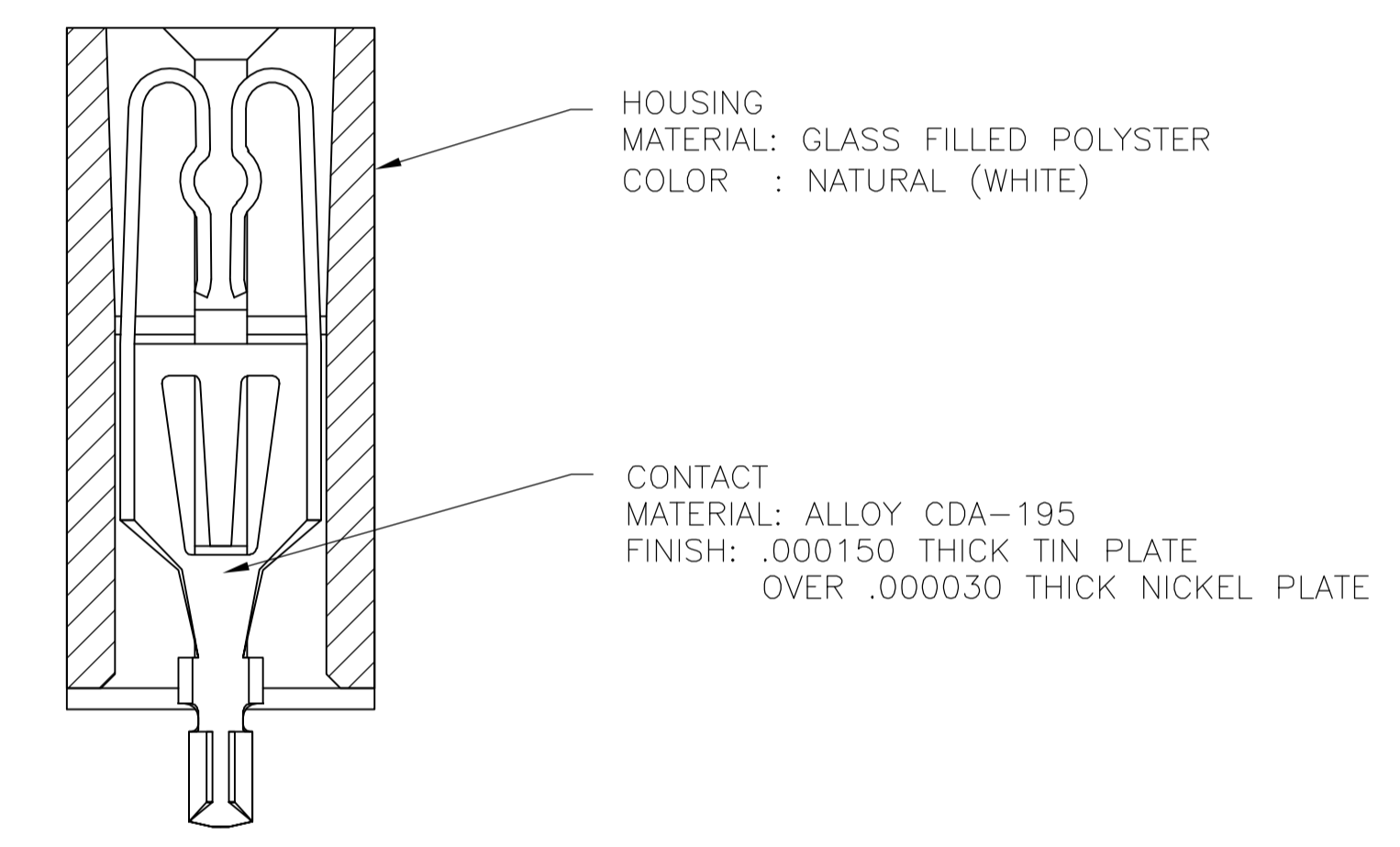
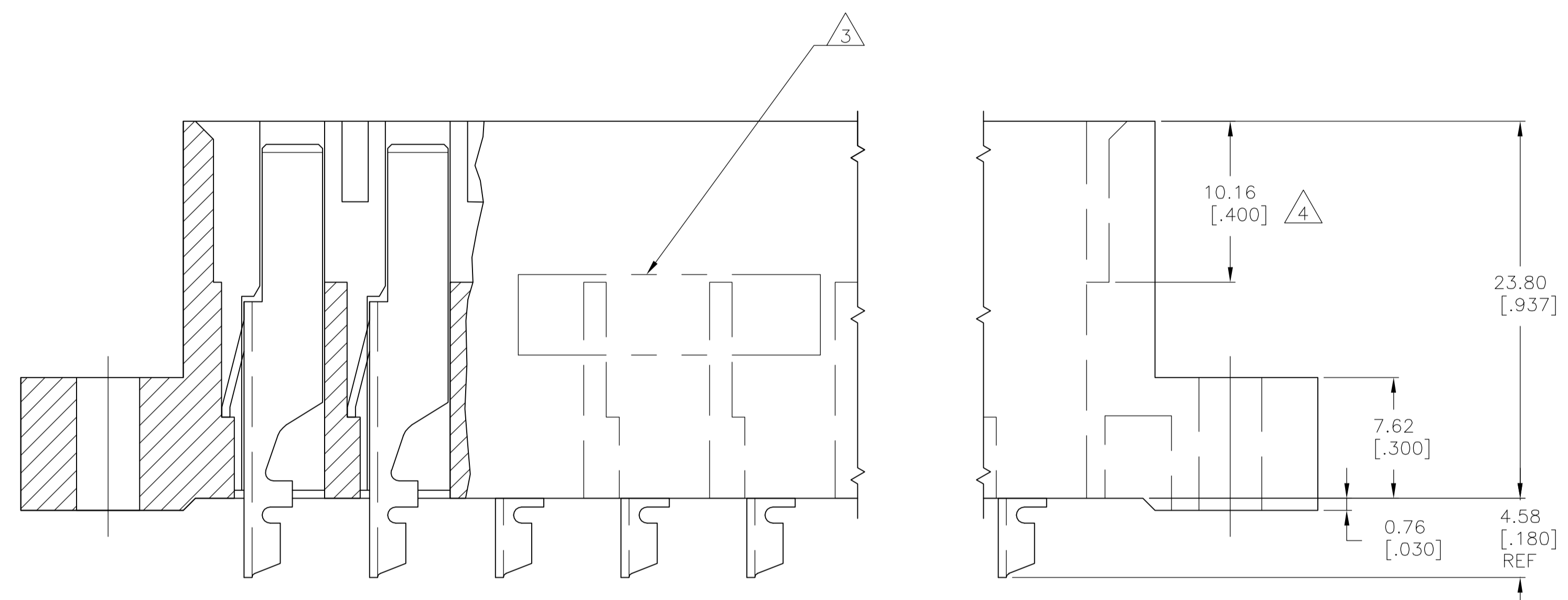


1. A 1/16" THICK DUMMY PC BOARD SHOULD BE INSERTED DURING SOLDERING.
2. MEASURE ACROSS MOUNTING EARS. MAY GOTO .020 OVER NOMINAL AT TOP OF THE HOUSING.
3. AVOID CORING OPTION.
4. MATTE TIN PLATED POST.



4.346	11	3.832	3.972	4.346	4.780	12	5-531353-9
3.722	9	3.208	3.348	3.722	4.156	10	5-531353-8
3.410	8	2.896	3.036	3.410	3.844	9	5-531353-7
3.098	7	2.584	2.724	3.098	3.532	8	5-531353-6
2.474	5	1.960	2.100	2.474	2.908	6	5-531353-5
2.162	4	1.648	1.788	2.162	2.593	5	5-531353-4
1.850	3	1.336	1.476	1.850	2.284	4	5-531353-3
1.538	2	1.024	1.164	1.538	1.972	3	5-531353-2
1.226	1	0.712	0.852	1.226	1.660	2	5-531353-1
4.346	11	3.832	3.972	4.346	4.780	12	531353-9
3.722	9	3.208	3.348	3.722	4.156	10	531353-8
3.410	8	2.896	3.036	3.410	3.844	9	531353-7
3.098	7	2.584	2.724	3.098	3.532	8	531353-6
2.474	5	1.960	2.100	2.474	2.908	6	531353-5
2.162	4	1.648	1.788	2.162	2.593	5	531353-4
1.850	3	1.336	1.476	1.850	2.284	4	531353-3
1.538	2	1.024	1.164	1.538	1.972	3	531353-2
1.226	1	0.712	0.852	1.226	1.660	2	531353-1
F	E	D	C	B	A	NO. OF POSN	PART NUMBER

THIS DRAWING IS A CONTROLLED DOCUMENT.

DIMENSIONS: mm [INCHES]	TOLERANCES UNLESS OTHERWISE SPECIFIED:	DIN R BROWN 230CT94	230CT94	tyco Electronics	Tyco Electronics Corporation Harrisburg, Pa 17105-3608
0 PLC ± -	1 PLC ± -	CHK C MOSHER	230CT94	APVD C MOSHER	NAME
2 PLC ± -	3 PLC ± .005	APVD C MOSHER	230CT94	PRODUCT SPEC	CONNECTOR ASSEMBLY, HIGH CURRENT
4 PLC ± -	ANGLES ± °	APPLICATION SPEC		SIZE	CAGE CODE
MATERIAL SEE CALLOUTS	FINISH SEE CALLOUTS	WEIGHT		A1	00779
		CUSTOMER DRAWING		SCALE 4:1	SHEET 1 OF 1

RESTRICTED TO