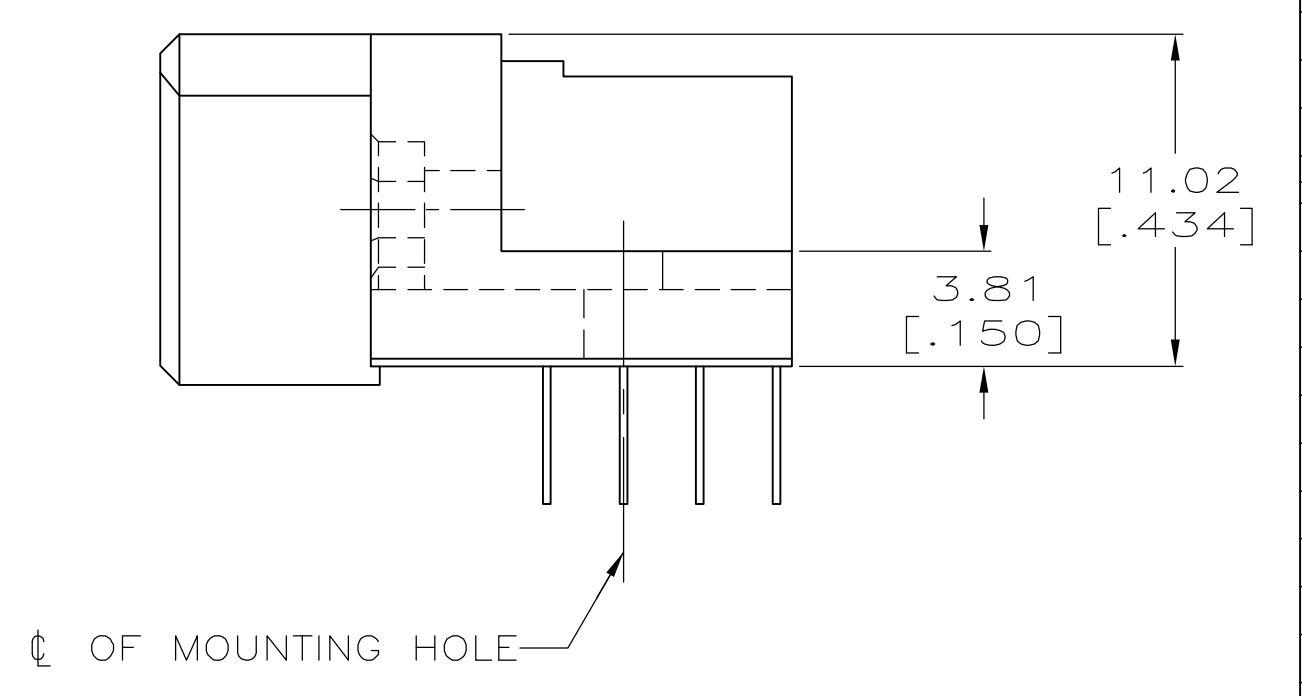
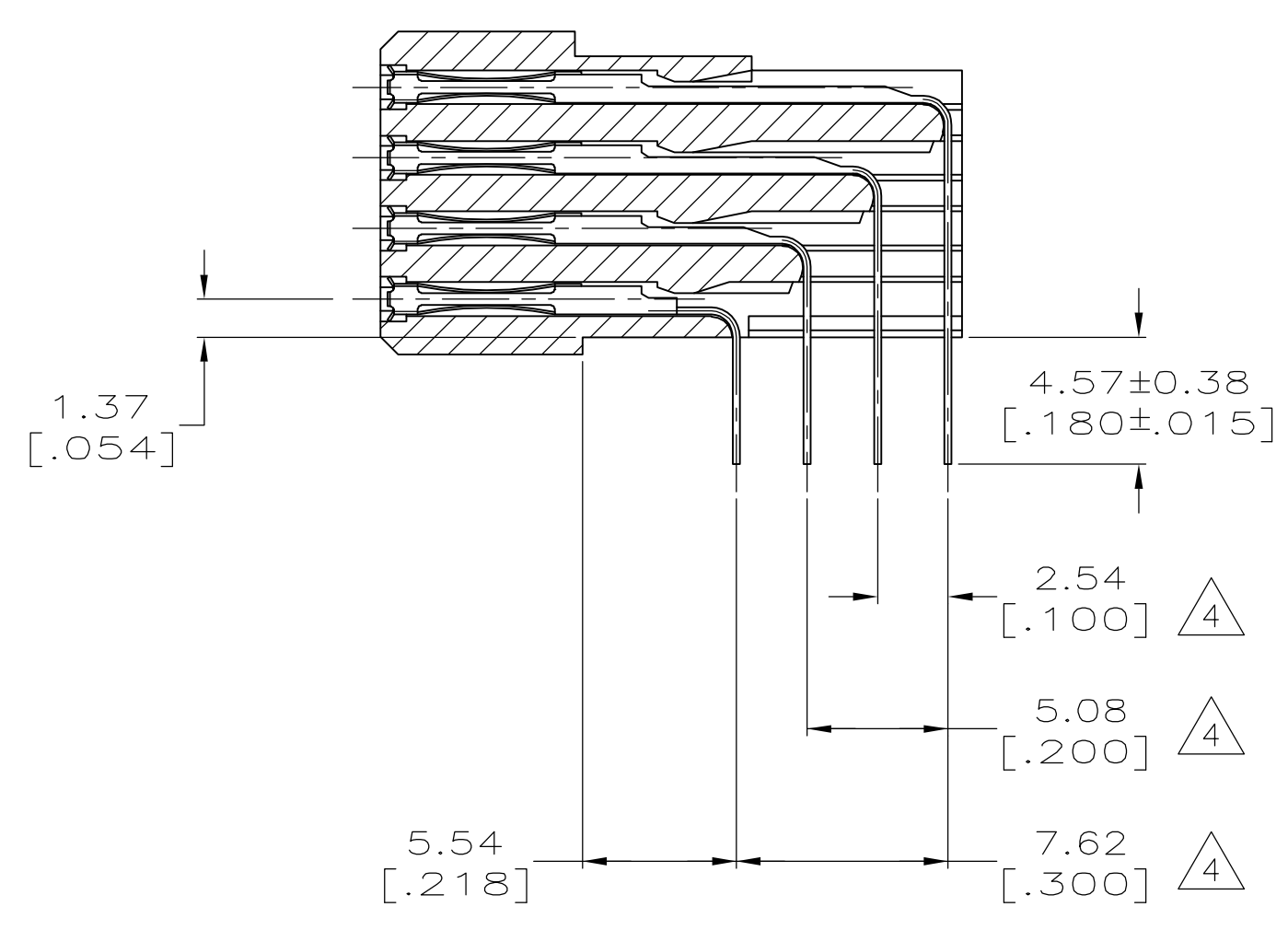


RECOMMENDED P.C. BOARD LAYOUT

- ① HOUSING MATERIAL: THERMOPLASTIC.
- ② CONTACT MATERIAL: COPPER ALLOY.
- ③ CONTACT FINISH: .00127-.00254 [.000050-.000100] NICKEL UNDERPLATE ALL OVER, .000076 [.000030] GOLD PLATE IN CONTACT AREA, TIN PLATED SOLDER TAILS.
- ④ SOLDER TAILS MUST FIT HOLE PATTERN AS SHOWN ON THE RECOMMENDED P.C. BOARD LAYOUT.
- ⑤ QUANTITIES OF VOID CORING ARE DEPENDENT ON THE POSITION SIZE OF THE HOUSING.
- ⑥ HOUSINGS WITH CENTER MOUNTING ARE RECOMMENDED FOR ASSEMBLIES HAVING 75 CONTACTS OR MORE PER ROW..



SECTION T-T	⑥	74	191.11 [7.524]	201.93 [7.950]	209.55 [8.250]	300	1-5532434-2	
		69	178.41 [7.024]	189.23 [7.450]	196.85 [7.750]	280	1-5532434-1	
		59	153.01 [6.024]	163.83 [6.450]	171.45 [6.750]	240	5532434-9	
		54	140.31 [5.524]	151.13 [5.950]	158.75 [6.250]	220	5532434-8	
		49	127.61 [5.024]	138.43 [5.450]	146.05 [5.750]	200	5532434-7	
		44	114.91 [4.524]	125.73 [4.950]	133.35 [5.250]	180	5532434-6	
		39	102.21 [4.024]	113.03 [4.450]	120.65 [4.750]	160	5532434-5	
		34	89.51 [3.524]	100.33 [3.950]	107.95 [4.250]	140	5532434-4	
		24	64.11 [2.524]	74.93 [2.950]	82.55 [3.250]	100	5532434-1	
		E	D	C	B	A	POSN	PART NUMBER

THIS DRAWING IS A CONTROLLED DOCUMENT.

DW: POLIGNONE 10JUN05  
 CHK: A. SHARPE 10JUN05  
 APD: A. SHARPE 10JUN05

**tyco**  
 Electronics

Tyco Electronics Corporation  
 Harrisburg, Pa 17105-3608

NAME: ASSEMBLY, RECEPTACLE, RIGHT ANGLE, HDI, LEAD-FREE, 4 ROW, WITHOUT GUIDES, 4.57[.180] SOLDER POSTS

PRODUCT SPEC: APPLICATION SPEC

SIZE: A1 00779 C=5532434

RESTRICTED TO: CUSTOMER DRAWING

SCALE: 4:1 SHEET: 1 OF 1 REV: 0