

Distributed by:

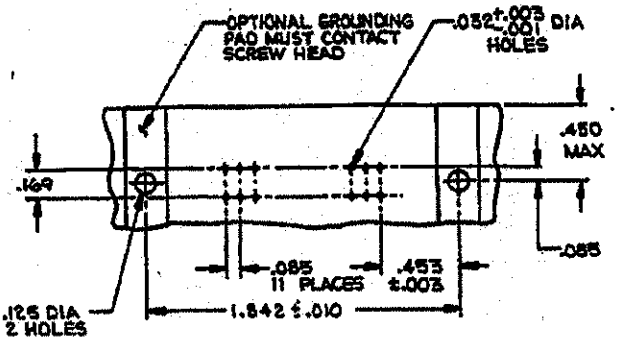
JAMECO[®]
ELECTRONICS

www.Jameco.com ♦ 1-800-831-4242

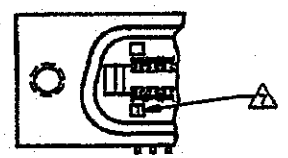
The content and copyrights of the attached
material are the property of its owner.

Jameco Part Number 852289

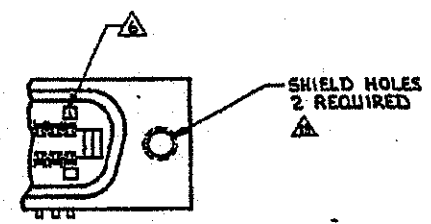
REVISIONS			
NO.	DATE	DESCRIPTION	APPROVED
1	1-3-80	C. CORRECTE-51-61EEN AA-LS44	LDJ
2		M. REV. 0513-0605-04	JH/PA



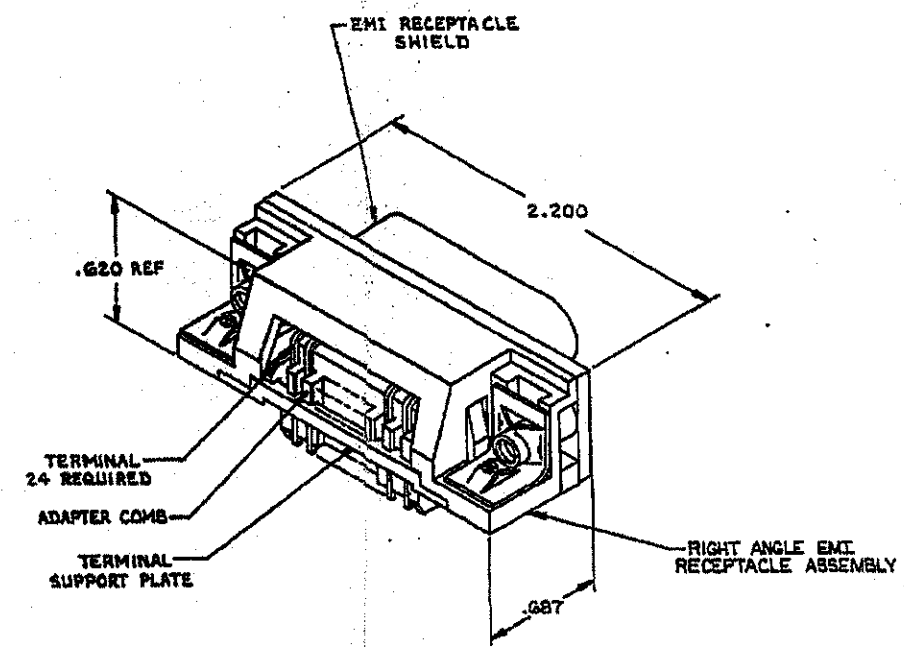
SUGGESTED PRINTED CIRCUIT BOARD MOUNTING DIMENSIONS



DETAIL B
REVERSE ORIENTATION

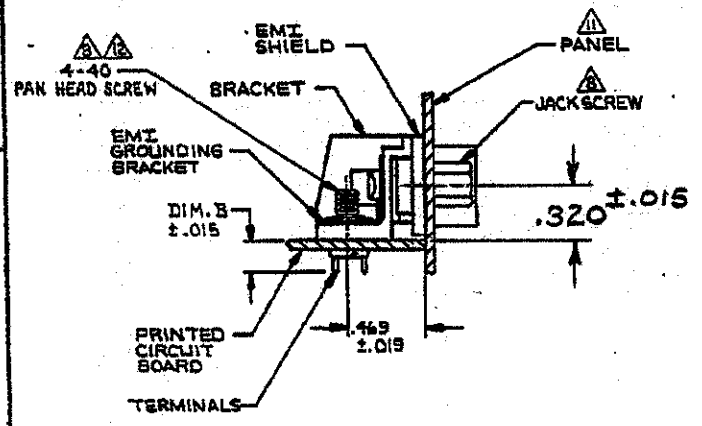


DETAIL A
STANDARD ORIENTATION

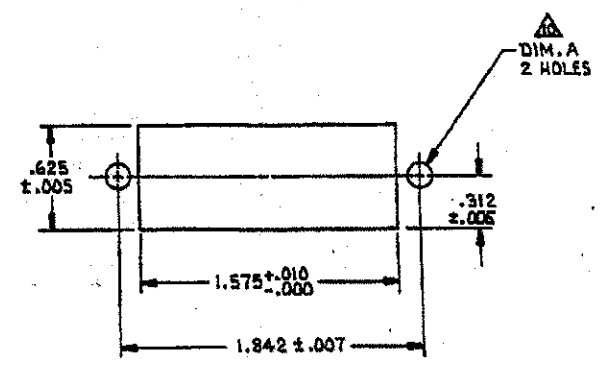


△ MATERIAL: HOUSING, BRACKET, ADAPTER COMB AND TERMINAL SUPPORT PLATE-THERMOPLASTIC (BLACK). EMI SHIELD-BRIGHT NICKEL OVER COPPER PLATED DIE CASTING. TERMINALS-TAILS-TIN LEAD OVER NICKEL PLATED HIGH STRENGTH COPPER ALLOY. MATING SURFACE-LOCALIZED GOLD OVER NICKEL PLATED HIGH STRENGTH COPPER ALLOY.

2. THE CONTACT SURFACES OF THE TERMINALS ARE COATED WITH LUBRICANT.
 3. CENTER-TO-CENTER SPACING OF TERMINALS IS .085.
 4. ALL DIMENSIONS SHOWN ARE FOR REFERENCE ONLY UNLESS OTHERWISE SPECIFIED.
- △ DETAILS A & B ARE VIEWED FROM MATING SIDE OF RECEPTACLE ASSEMBLY.
- △ TERMINAL 1 LOCATED IN THIS ROW FOR STANDARD ORIENTATION.
- △ TERMINAL 1 LOCATED IN THIS ROW FOR REVERSE ORIENTATION.
- △ SCREWS SHOWN FOR REFERENCE ONLY. RECOMMENDED HARDWARE KIT, 5534272-1, FOR USE WITH PART NUMBER 553811-3 & 4. HARDWARE KIT IS SHOWN FOR REFERENCE ONLY.
9. EMI SHIELD IS ASSEMBLED TO CONNECTOR BEFORE SHIPMENT.
- △ FOR IEEE APPLICATION DIM. A SHALL BE .192 ± .003.
- △ PANEL THICKNESS RANGE: .062 MAX.
- △ STAINLESS STEEL SCREWS RECOMMENDED BECAUSE OF CONTACT WITH SOLDER BATH.
- △ HOLES TO BE TAPPED AFTER PLATING.



REAR PANEL MOUNTING DETAIL SHOWN FOR REFERENCE ONLY



SUGGESTED REAR PANEL MOUNTING CUTOUT DIMENSIONS

STANDARD	DIM. B	DIM. A	SHIELD HOLE SIZE	ORIENTATION	DETAIL	PART NO
STANDARD	.157	.126 ± .003	4-40 UNC-2B	REVERSE	B	553811-4
IEEE-488		.152 ± .003	6-32 UNC-2B	STANDARD	A	553811-3
				REVERSE	B	553811-2
				STANDARD	A	553811-1

UNLESS OTHERWISE SPECIFIED DIMENSIONS ARE IN INCHES. TOLERANCES ON: DECIMALS ± ANGLES ±	CONTRACT NO.	AMP AMP INCORPORATED HARRISBURG, PA. 17105
	OR CIN 7-26-82	
MATERIAL	APPD MD/Intel 8-4-82	NAME ASSEMBLY, EMI RECEPTACLE, 24 POSITION, SCREW LOCK (CHAMP, PRINTED CIRCUIT BOARD, RIGHT ANGLE, PANEL MOUNTING)
	APPD W.P. 6-1-82	
FINISH	APPD 7-20-82 9-1-82	SIZE D PSCM NO 00779 DRAWING NO 553811
	OTHER APPD	
SCALE 2:1		SHEET 1 OF 1