

Distributed by:

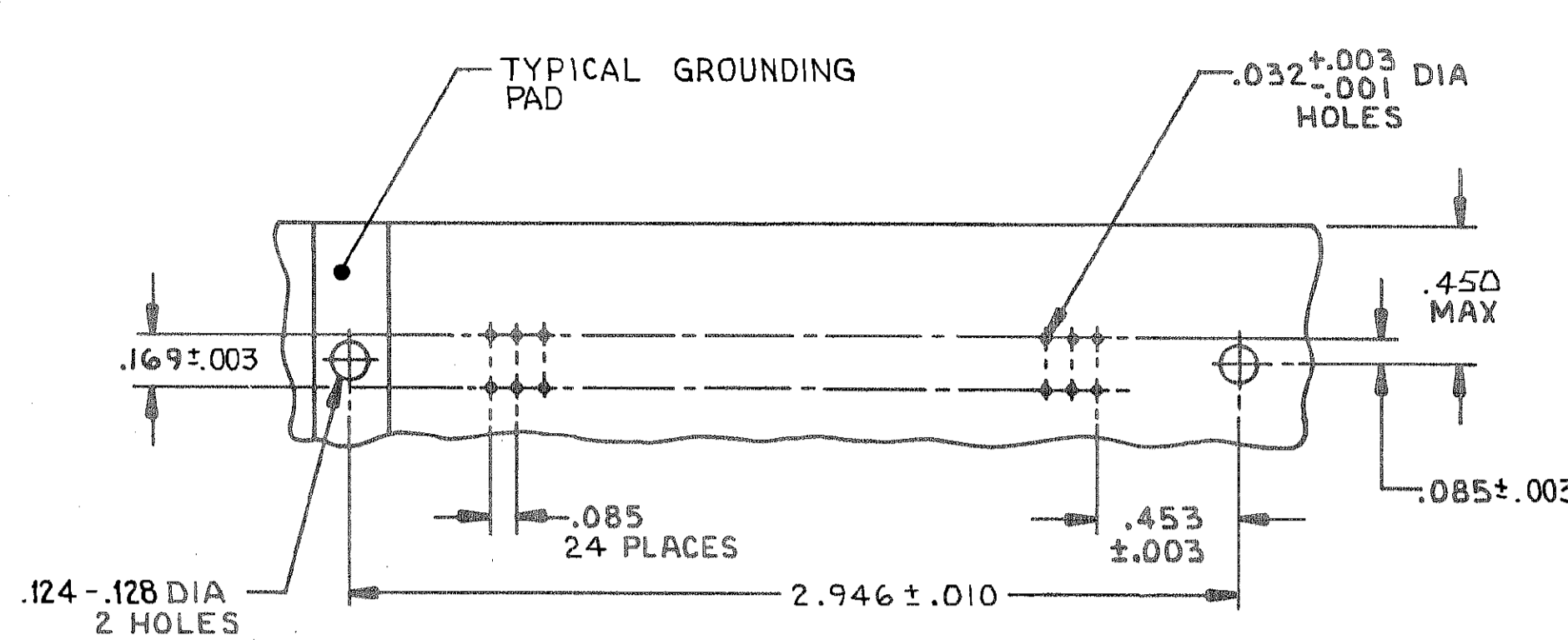
JAMECO[®]
ELECTRONICS

www.Jameco.com ♦ 1-800-831-4242

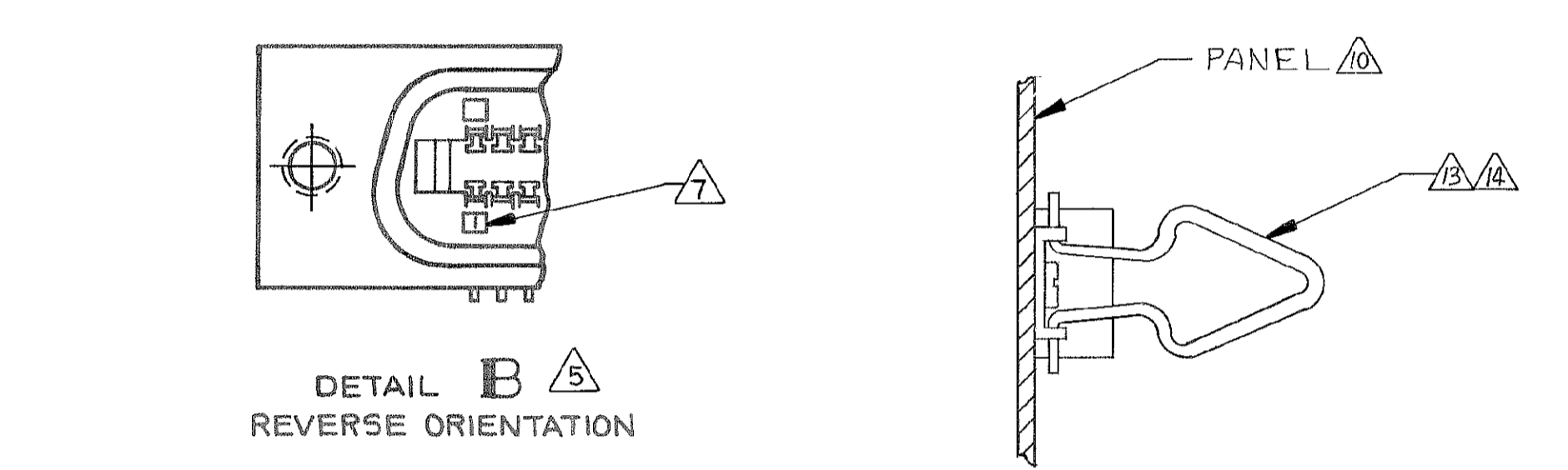
The content and copyrights of the attached
material are the property of its owner.

Jameco Part Number 852300

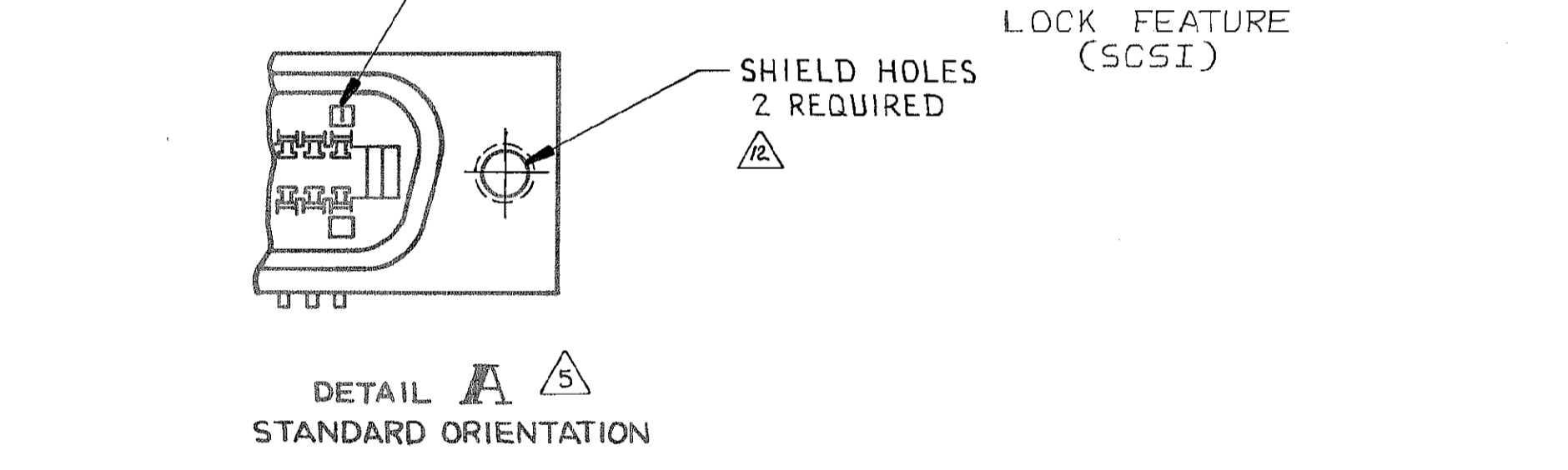
REVOLUTIONS		DATE	APPROVED
P	F		
P		5-31-89	DD
R		4-17-03	DD



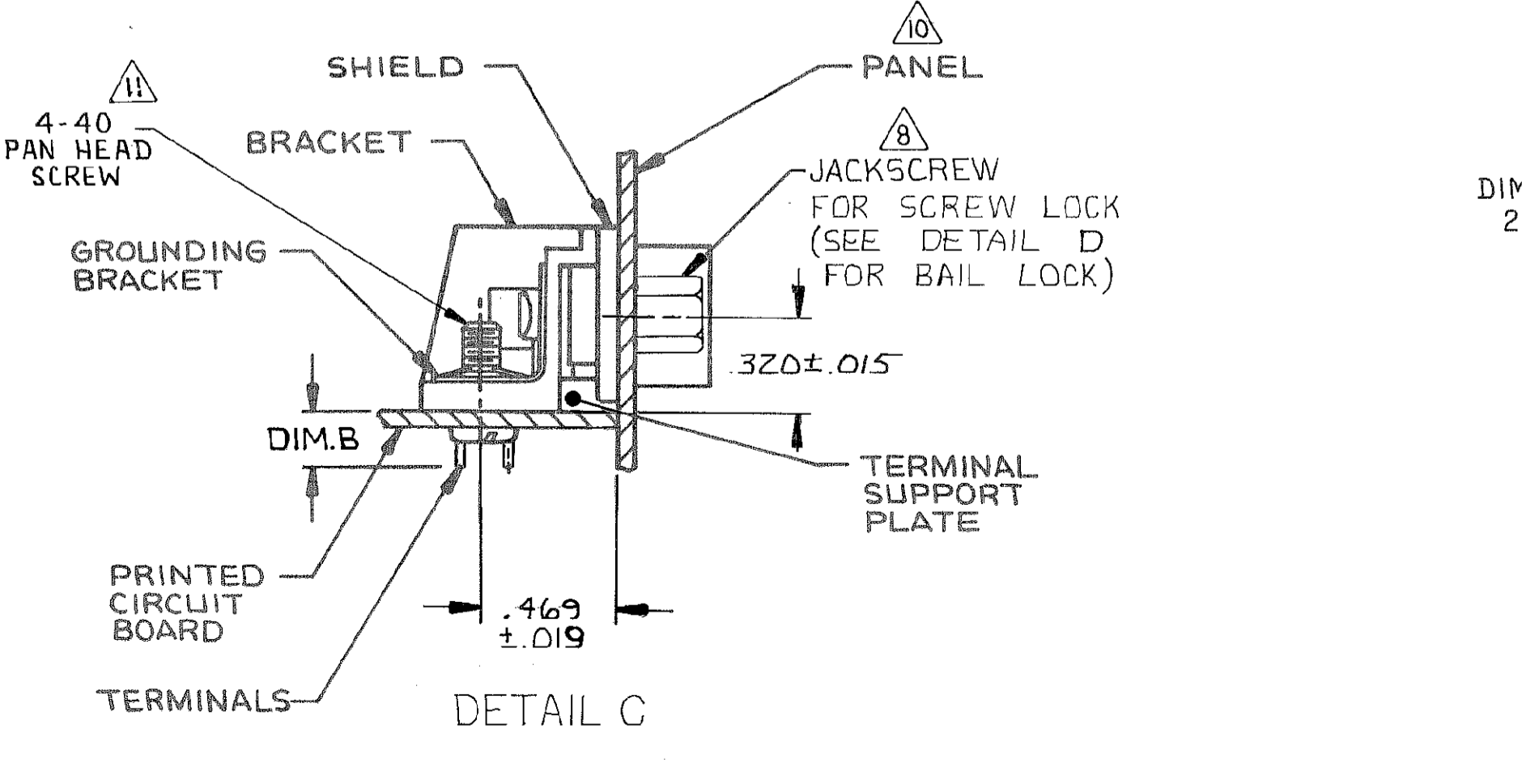
SUGGESTED PRINTED CIRCUIT BOARD MOUNTING DIMENSIONS



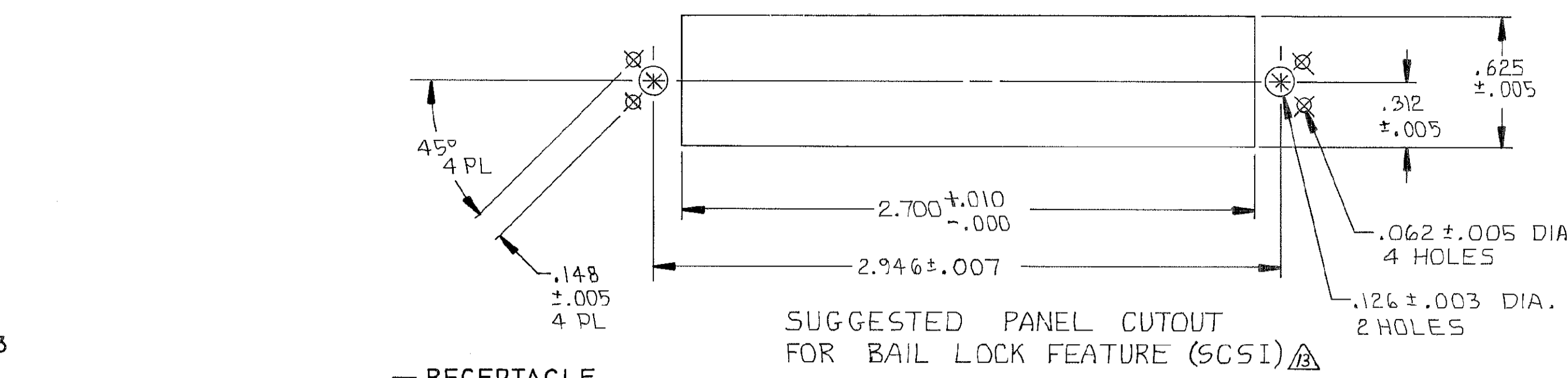
DETAIL B REVERSE ORIENTATION



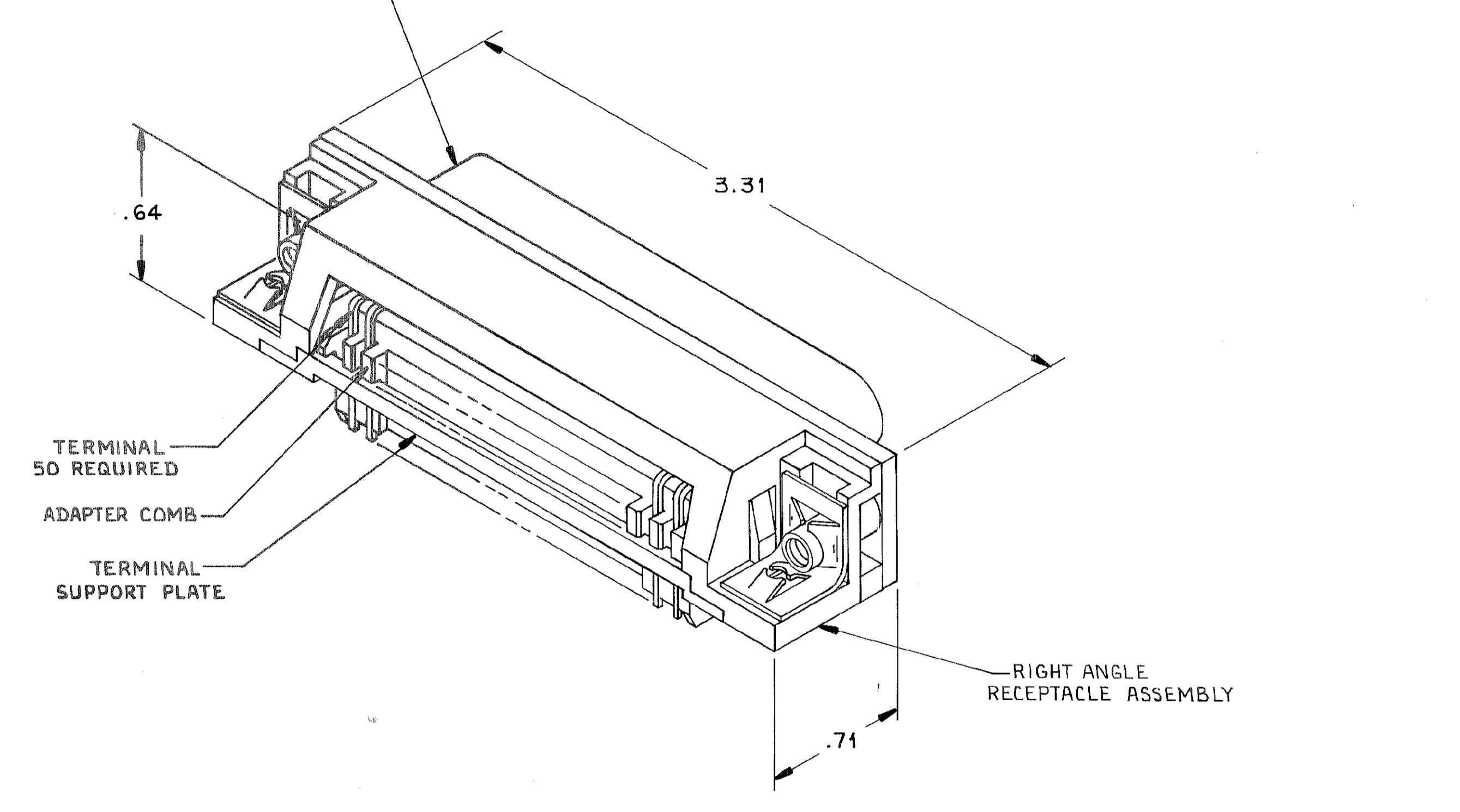
DETAIL A STANDARD ORIENTATION



REAR PANEL MOUNTING DETAIL SHOWN FOR REFERENCE ONLY



SUGGESTED PANEL CUTOUT FOR BAIL LOCK FEATURE (SCSI)



SUGGESTED PANEL CUTOUT FOR SCREW LOCK FEATURE

- △ MATERIAL: HOUSING, BRACKET, ADAPTER COMB AND TERMINAL SUPPORT PLATE - POLYESTER MOLDING COMPOUND, UL 94V-D RATING, BLACK SHIELD - BRIGHT NICKEL OVER COPPER PLATED DIE CASTING. TERMINALS - TAILS - TIN LEAD OVER NICKEL PLATED HIGH STRENGTH COPPER ALLOY. MATING SURFACE - LOCALIZED GOLD OVER NICKEL PLATED HIGH STRENGTH COPPER ALLOY. GROUNDING BRACKET - ZINC PLATED STEEL.
- 2. THE CONTACT SURFACES OF THE TERMINALS ARE COATED WITH LUBRICANT.
- 3. CENTER-TO-CENTER SPACING OF TERMINALS IS .085 NOMINAL.
- 4. ALL DIMENSIONS SHOWN ARE MAXIMUM UNLESS OTHERWISE SPECIFIED.
- △ 5. DETAILS A & B ARE VIEWED FROM MATING SIDE OF RECEPTACLE ASSEMBLY.
- △ 6. TERMINAL 1 LOCATED IN THIS ROW FOR STANDARD ORIENTATION.
- △ 7. TERMINAL 1 LOCATED IN THIS ROW FOR REVERSE ORIENTATION.
- △ 8. SCREWS SHOWN FOR REFERENCE ONLY. RECOMMENDED HARDWARE KIT 554272-1 FOR USE WITH PART NUMBER 553813-3 & 4. WHEN SCREW LOCK FEATURE IS REQUIRED.
- 9. SHIELD IS ASSEMBLED TO CONNECTOR BEFORE SHIPMENT.
- △ 10. PANEL THICKNESS RANGE: .062 MAX.
- △ 11. STAINLESS STEEL SCREWS RECOMMENDED, BECAUSE OF CONTACT WITH SOLDER BATH.
- △ 12. HOLES TO BE TAPPED AFTER PLATING.
- △ 13. USE HARDWARE KIT 554818-2 FOR PARTS NUMBERS 553813-3 & 4. WHEN BAIL LOCK FEATURE IS REQUIRED.
- △ 14. THE BAIL LOCK FEATURE HAS APPLICATION FOR SMALL COMPUTER SYSTEMS INTERFACE (SCSI).

UNLESS OTHERWISE SPECIFIED DIMENSIONS ARE IN INCHES.	TOLERANCES ON:		CONTRACT NO.		AMP INCORPORATED	
	DECIMALS ±	ANGLES ±	DR	CHK	NAME	HARRISBURG, PA. 17105
			A. Holt 7-28-82	MD/Tril 8-4-82	RECEPTACLE ASSEMBLY, SHIELDED, 50 POSITION, RIGHT ANGLE WITH GROUND BRACKET, CHAMP®	
			APPD	APPD	SIZE	FSCM NO
					D	00779
					DRAWING NO	553813
					SCALE	2:1
					SHEET	1 OF 1