

Distributed by:

JAMECO[®]
ELECTRONICS

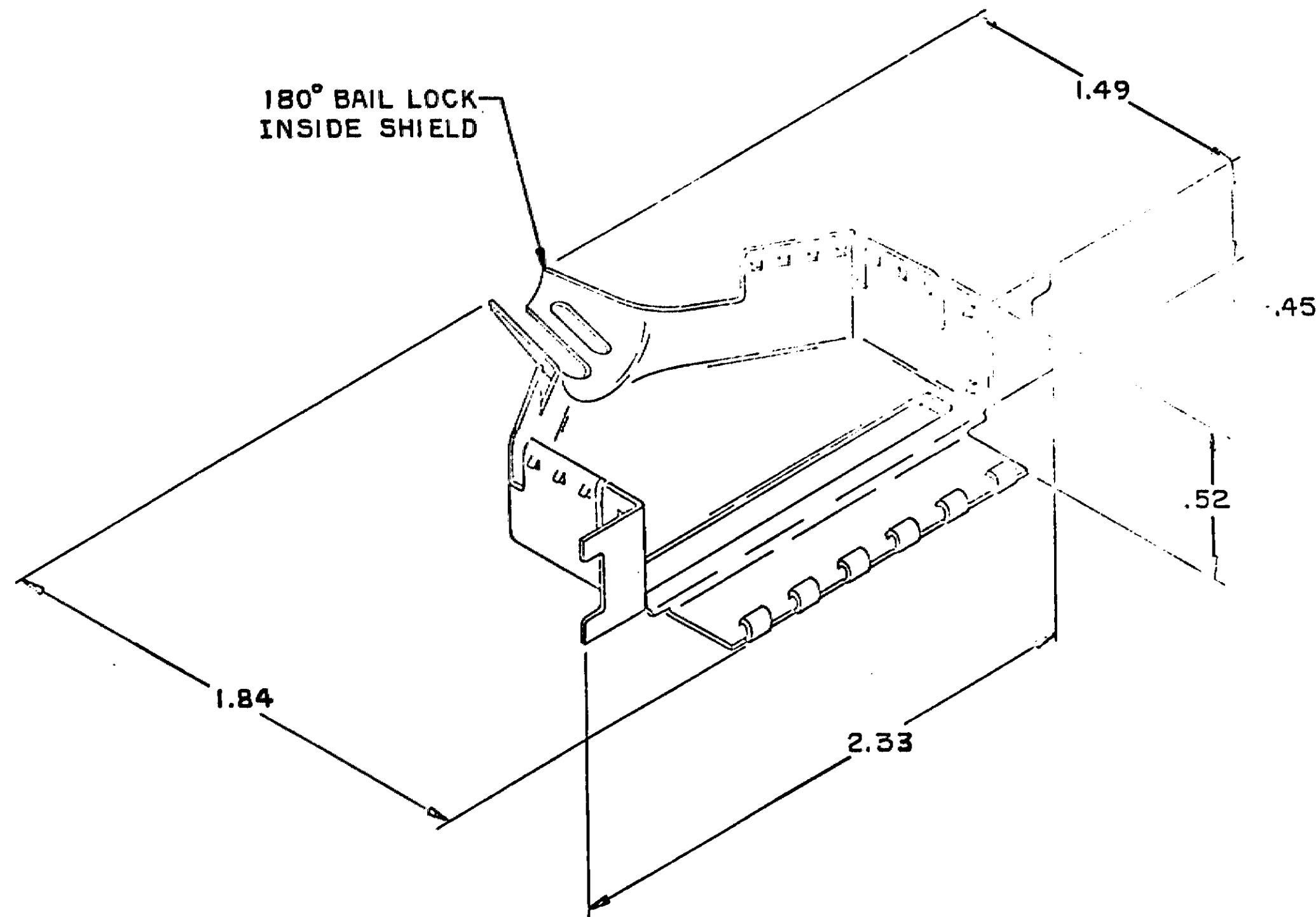
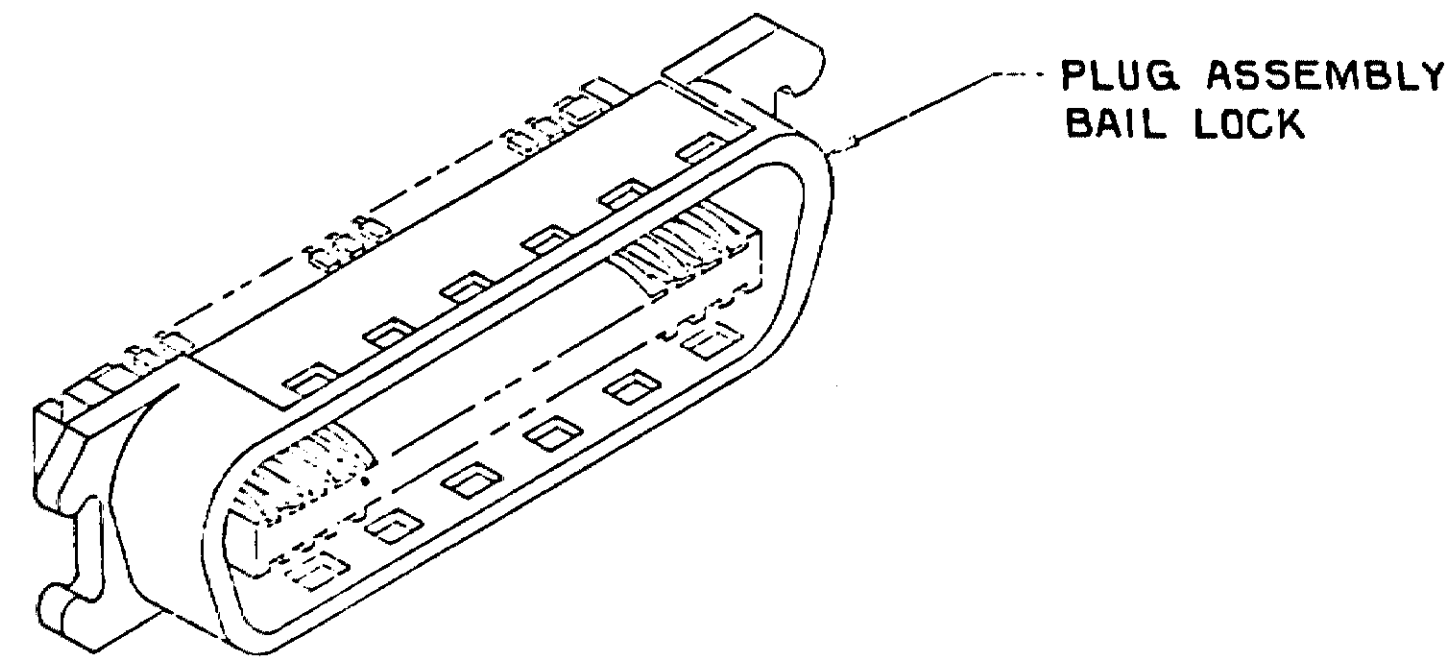
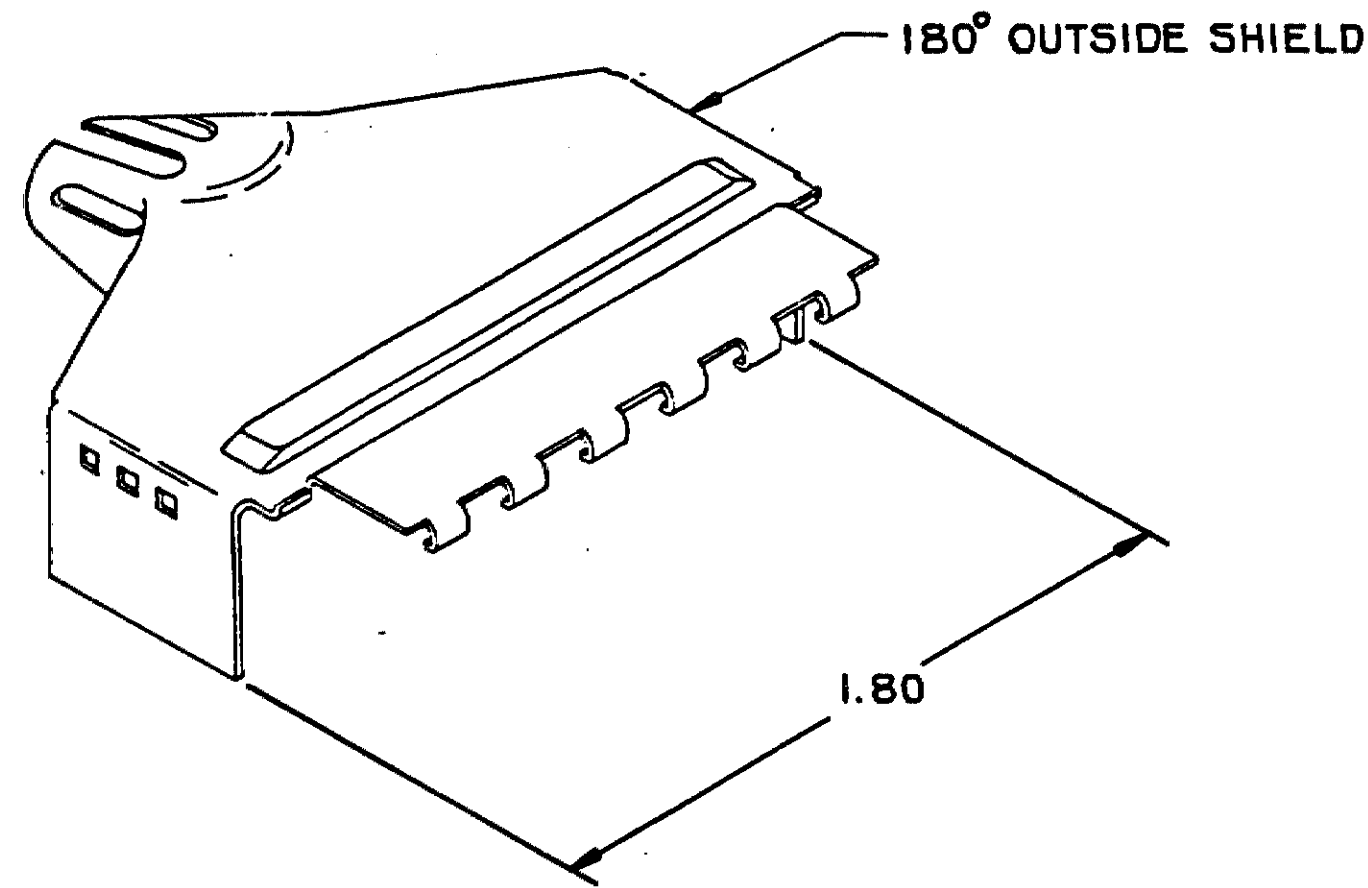
www.Jameco.com ♦ 1-800-831-4242

The content and copyrights of the attached
material are the property of its owner.

Jameco Part Number 754793

THIS DRAWING IS UNPUBLISHED. RELEASED FOR PUBLICATION . 19 .
 © COPYRIGHT 19 BY AMP INCORPORATED, HARRISBURG, PA. ALL INTERNATIONAL RIGHTS RESERVED. AMP PRODUCTS MAY BE COVERED BY U.S. AND FOREIGN PATENTS AND/OR PATENTS PENDING.

REVISIONS					
P	F	ZONE	DESCRIPTION	DATE	APPROVED
✓		B	REVISED: ECN AA-772.6	11-11-91	LHS



1. THIS KIT SHIPPED NOT ASSEMBLED.
2. MATERIAL: SHIELDS—BRIGHT NICKEL PLATED CARBON STEEL. PLUG HOUSING—POLYPHENYLENE OXIDE, BLACK. TERMINALS—GOLD OVER NICKEL PLATED HIGH STRENGTH COPPER ALLOY.
3. WIRE SIZE: 24 OR 26 AWG SOLID OR 24 AWG 7 STRANDS OF COPPER CONDUCTORS. MAX INSULATION DIAMETER OF .045 IS ACCEPTABLE FOR MOST APPLICATIONS.
4. CABLE RANGE: .250—.500 DIAMETER.
5. CENTER-TO-CENTER SPACING OF TERMINALS IS .085 NOMINAL.
6. WIRE SIZE: 26-27-28 AWG 7 STRANDS OF COPPER CONDUCTORS. MAX INSULATION DIAMETER OF .045 IS ACCEPTABLE FOR MOST APPLICATIONS.
7. ALL DIMENSIONS SHOWN ARE MAXIMUM UNLESS OTHERWISE SPECIFIED.
8. CORING IS AN OPTIONAL CONFIGURATION AND IS AT THE DISCRETION OF AMP INCORPORATED.

BULK PACKED	B	△	5-	↑	-2
	E	△	5-		-1
POLY BAG PACKAGED	B	△			-2
	E	△			554950-1
	SLOT SIZE	WIRE SIZE	PART NO		

UNLESS OTHERWISE SPECIFIED DIMENSIONS ARE IN INCHES. TOLERANCES ON: DECIMALS ± .015 ANGLES ± .5	CONTRACT NO		AMP INCORPORATED Harrisburg, Pa. 17105		
	DR	4/2/86	NAME PLUG KIT, 36 POSITION, BAIL LOCK, SHIELDED CHAMP		
	CHK	5/19/86			
	MATERIAL	APPD	SIZE	FSCM NO	DRAWING NO
△		D	00779	554950	
FINISH	OTHER APPD	SCALE 2:1		SHEET 1 OF 1	
△					