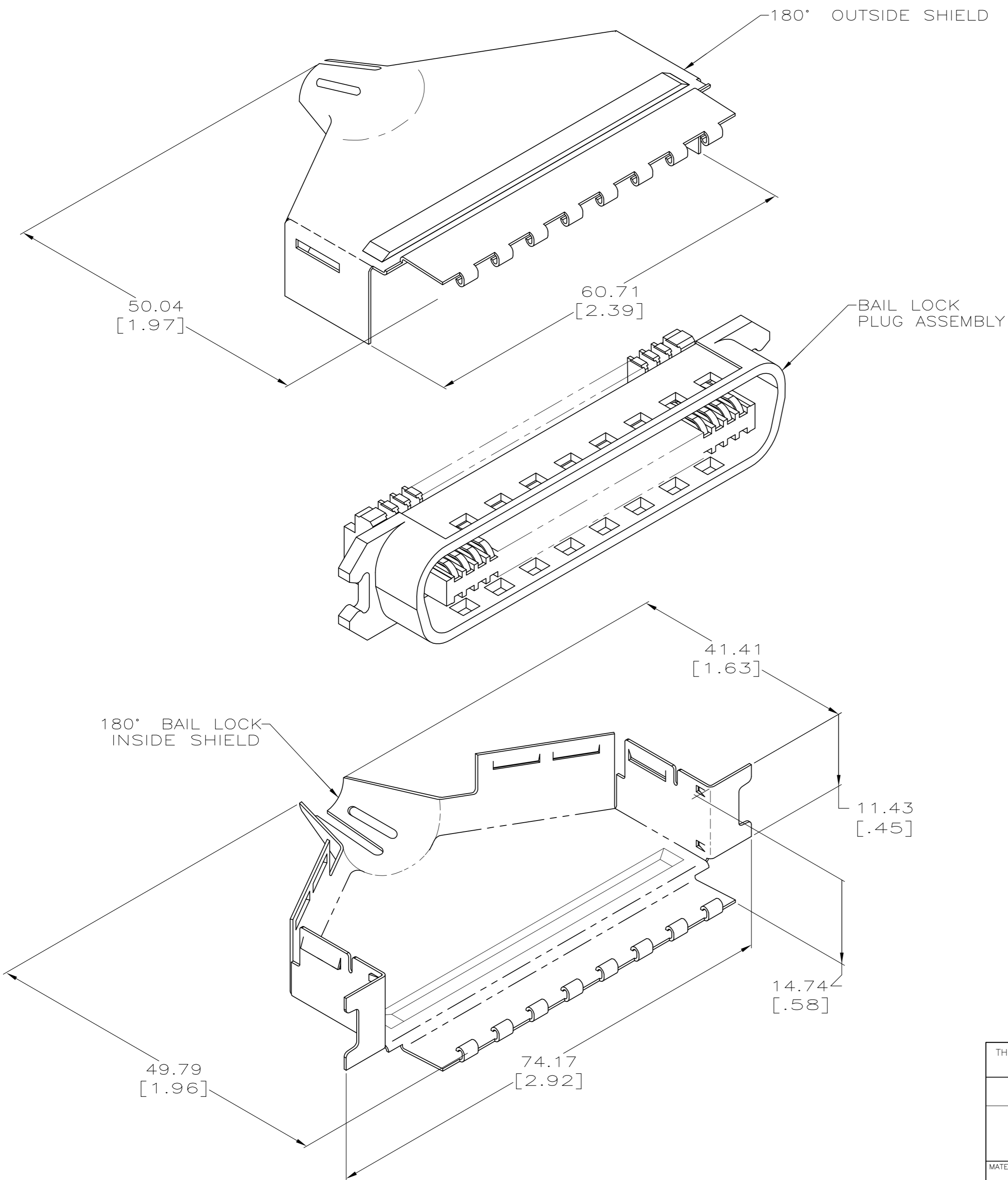


THIS DRAWING IS UNPUBLISHED. RELEASED FOR PUBLICATION
 © COPYRIGHT BY TYCO ELECTRONICS CORPORATION. ALL RIGHTS RESERVED.

LOC		DIST		REVISIONS			
P	LTR	DESCRIPTION		DATE	DWN	APVD	
	F	REVISED PER ECO-08-007327		05SEP08	BM	WM	
	F1	REV PER ECO-09-021510		12SEP09	KK	AEG	



- THIS KIT SHIPPED NOT ASSEMBLED.
- MATERIAL: SHIELDS – BRIGHT NICKEL PLATED CARBON STEEL.
 PLUG HOUSING – POLYPHENYLENE OXIDE, SEE TABLE FOR COLOR.
 TERMINAL – HIGH STRENGTH COPPER ALLOY PLATED WITH 0.76µm [.000030] MIN GOLD OR GOLD FLASH OVER PALLADIUM NICKEL PLATE, 0.76µm [.000030] MIN TOTAL ON MATING SURFACE. 1.27µm [.000050] MIN NICKEL UNDERPLATE OVER ENTIRE TERMINAL.
- WIRE SIZE: 24 OR 26 AWG SOLID OR 24 AWG 7 STRANDS OF COPPER CONDUCTORS. MAXIMUM INSULATION DIAMETER OF 1.14 [.045] IS ACCEPTABLE FOR MOST APPLICATIONS.
- CABLE RANGE: Ø8.89–15.88 [.350–.625].
- CENTER-TO-CENTER SPACING OF TERMINALS 2.16 [.085] NOMINAL.
- WIRE SIZE: 26–27–28 AWG 7 STRANDS OF COPPER CONDUCTORS. MAXIMUM INSULATION DIAMETER OF 1.14 [.045] IS ACCEPTABLE FOR MOST APPLICATIONS.
- DIMENSIONS ARE MAXIMUM UNLESS OTHERWISE SPECIFIED.
- PACKAGED 1 KIT PER POLYBAG.
- BULK PACKAGED 500 KITS PER CONTAINER.
- OBsolete PARTS: OBSOLETE CIS STREAMLINING PER D.RENAUD/D.SINISI

△10	OBsolete	COMPAQ-GRAY	△9	E	△6	5-554953-3
△10	OBsolete	BLACK	△9	B	△3	5-554953-2
△10	OBsolete	BLACK	△9	E	△6	5-554953-1
		BLACK	△8	B	△3	554953-2
		BLACK	△8	E	△6	554953-1
	COLOR	PACKAGED	SLOT SIZE	WIRE SIZE	PART NUMBER	

DIMENSIONS:		TOLERANCES UNLESS OTHERWISE SPECIFIED:		APVD		NAME				
mm	[INCHES]	0 PLC	± -	DWN	L. SMITH	3-24-95	Tyco Electronics Corporation Harrisburg, PA 17105-3608			
		1 PLC	± -	CHK	D.HUSSEY	4-04-95				
		2 PLC	± -	APVD	M.HUGHES	4-04-95				
		3 PLC	± -	PRODUCT SPEC						
		4 PLC	± -	APPLICATION SPEC			SIZE	CAGE CODE	DRAWING NO	RESTRICTED TO
		ANGLES	± -				A2	00779	C=554953	-
		FINISH	± -				SCALE	SHEET	1 of 1	REV
							2:1			F1