

**Shielded CHAMP Cable Connector Kits (Continued)**

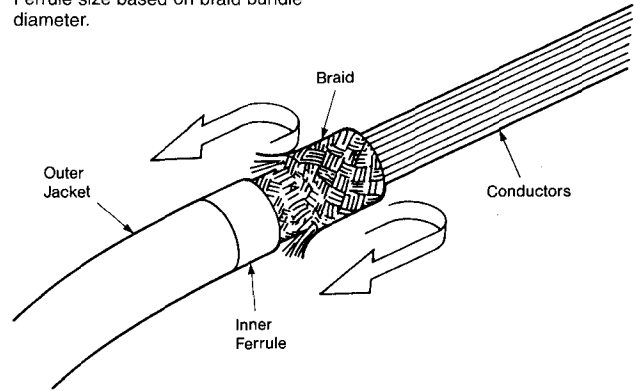
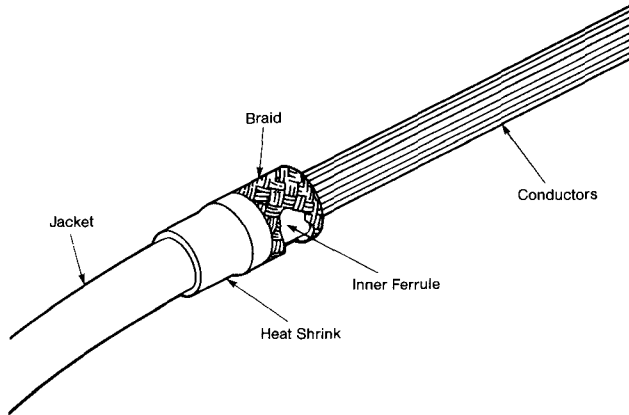
**Inner Ferrule on Jacket**

No. of Positions	Cable Diameter (Less Than)
24	.300 7.62
36	.350 8.89
50	.400 10.16

**Inner Ferrule on Braid\***

No. of Positions	Cable Diameter (Greater Than)
24	.300 7.62
36	.350 8.89
50	.400 10.16

\* Ferrule size based on braid bundle diameter.



No. of Positions	Cable Range	Part Numbers						Cover Kits
		Shielded Plug Kit				Shielded Receptacle Kit		
		Screw Lock		Bail Lock		Screw or Bail Lock		
		B Slot	E Slot	B Slot	E Slot	B Slot	E Slot	
24	.250-.500 6.35-12.70	554948-4 <sup>5</sup> 554948-2 <sup>4</sup>	554948-3 <sup>3</sup>	—	—	—	—	554944-1
36	.250-.500 6.35-12.70	554951-2	—	554950-2	554950-1	—	—	554945-1
50	.350-.625 8.89-15.88	554945-2 <sup>6</sup>	554954-1	554953-2 <sup>1</sup>	554953-1 <sup>1</sup>	554955-2	554955-1	554946-1 <sup>2</sup> 554946-2

- 1 SCSI applicable.
- 2 For cable diameter of .500 [12.70] or less use -1 kit. For cable diameter greater than .500 [12.70] use -2 kit.
- 3 Connector with M3.5 threads kits includes M3.5 x 2.00 [50.80] standoff stud.
- 4 4-40 UNC-2B hole size.
- 5 M3.5 x 0.6-6G, shoulder stud screws (2) supplied.
- 6 Contact Tyco Electronics for RoHS Part Number information.

**Typical Cable Assembly (Shielding Effectiveness)**

