

CHAMP Shielded Right Angle Connectors

Board Locking Grounding

Material and Finish:

Housing, Bracket Adapter Comb and Terminal Support Plate — polyester, black

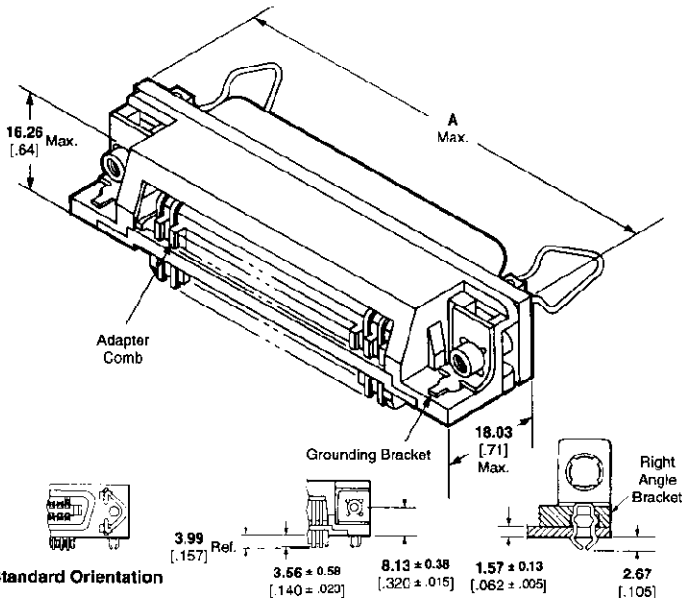
Bail-Clip — passivated stainless steel

Receptacle Shield — bright nickel over copper plated die casting

Terminals — selectively plated gold over nickel plated high strength copper alloy, tin plated tails

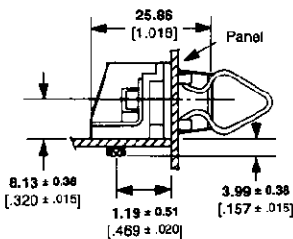
Ground Bracket—tin-lead plated carbon steel

Note: See page 525 for Suggested Panel Cutout, Rear Panel Mounting



Rear Panel Mounting Detail (Shown for reference only)

Standard Profile Connector



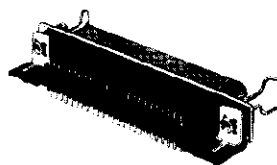
Standard Profile Connector

No. of Positions	Dimension A	Hardware Type	Screw Size	Part Numbers	
				Standard	Reverse
50	84.33 3.320	Bail Lock	4-40	555057-1 ^{1,2}	—
50	84.33 3.320	Screw Lock	4-40	557932-2 ⁴	557932-1 ⁴

Low-Profile Connectors

No. of Positions	Dimension A	Hardware Type	Screw Size	Part Numbers	
				Standard	Reverse
50	84.07 3.310	Bail Lock	4-40	555149-1 ^{1,2}	555149-3 ³

1. Maximum Pc board thickness is 1.57 [.062], A = .450
2. SCSI applicable
3. Maximum Pc board thickness is 1.57 [.062], A = .386
4. Plated Backshell



Low Profile Connector

Recommended Pc Board Mounting Dimensions

