

Distributed by:

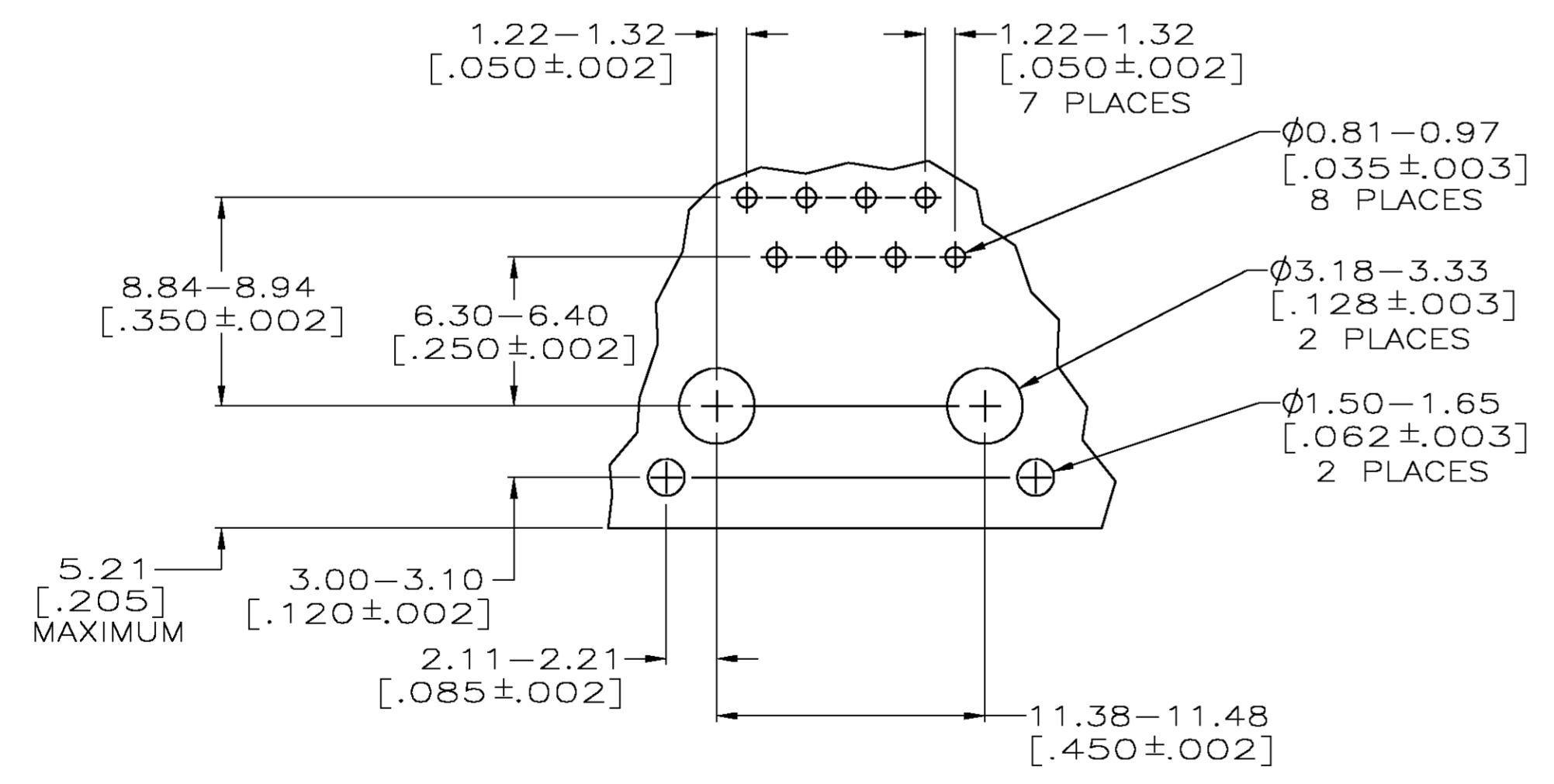
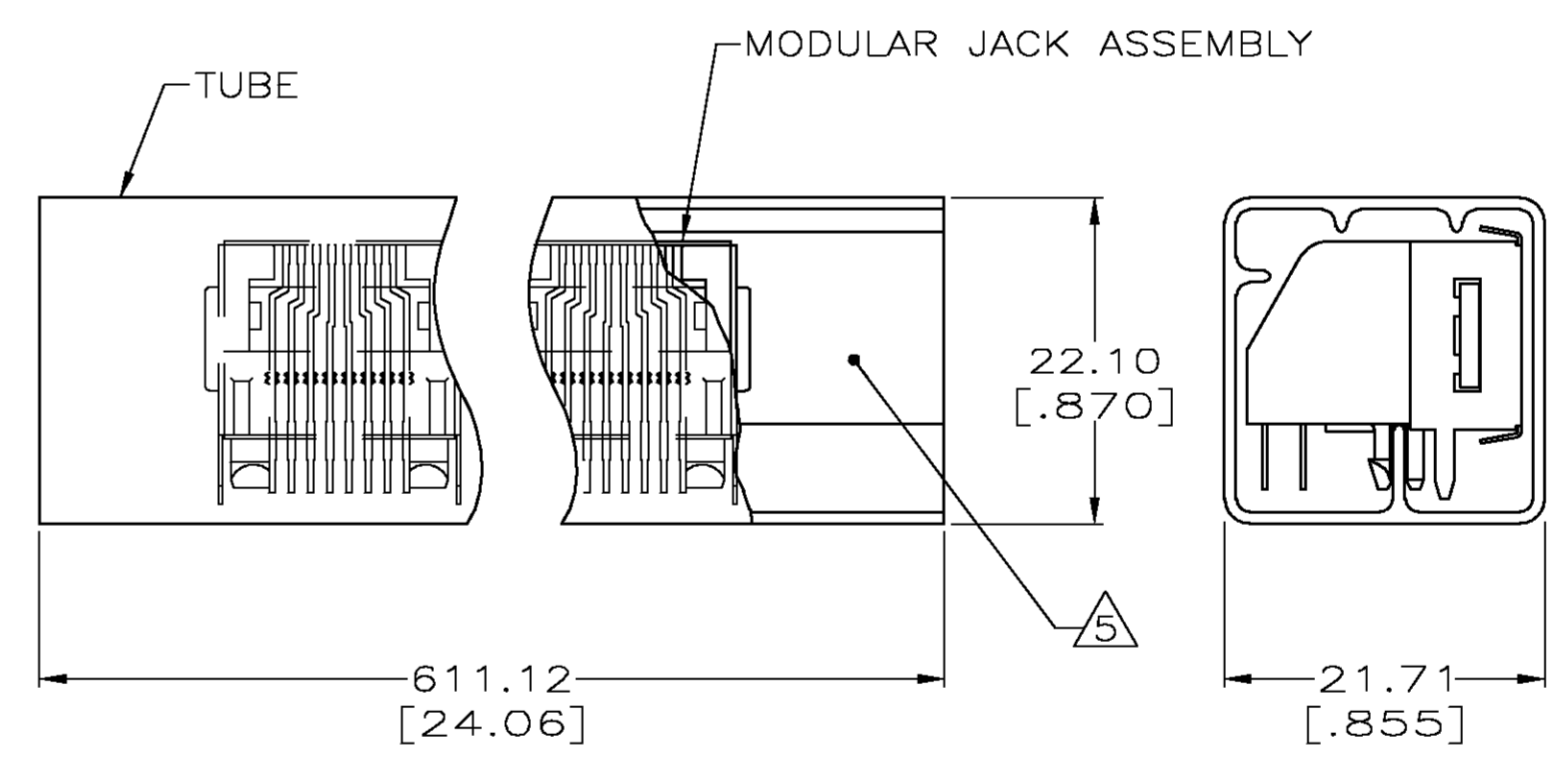
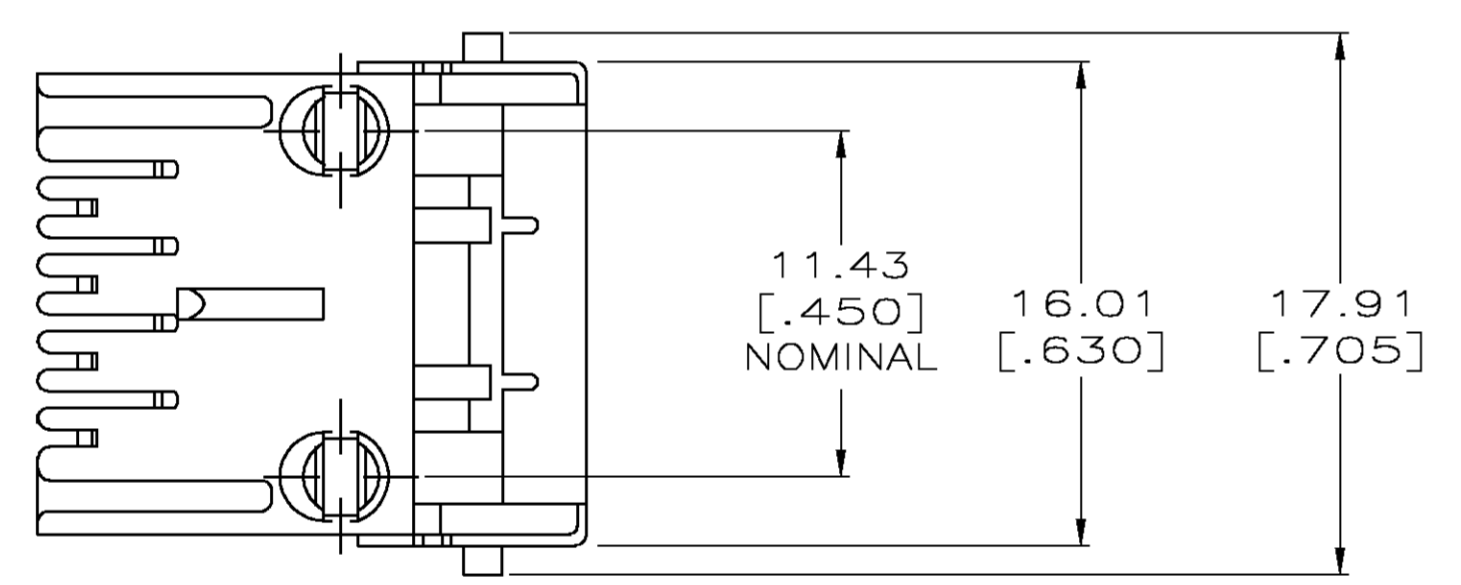
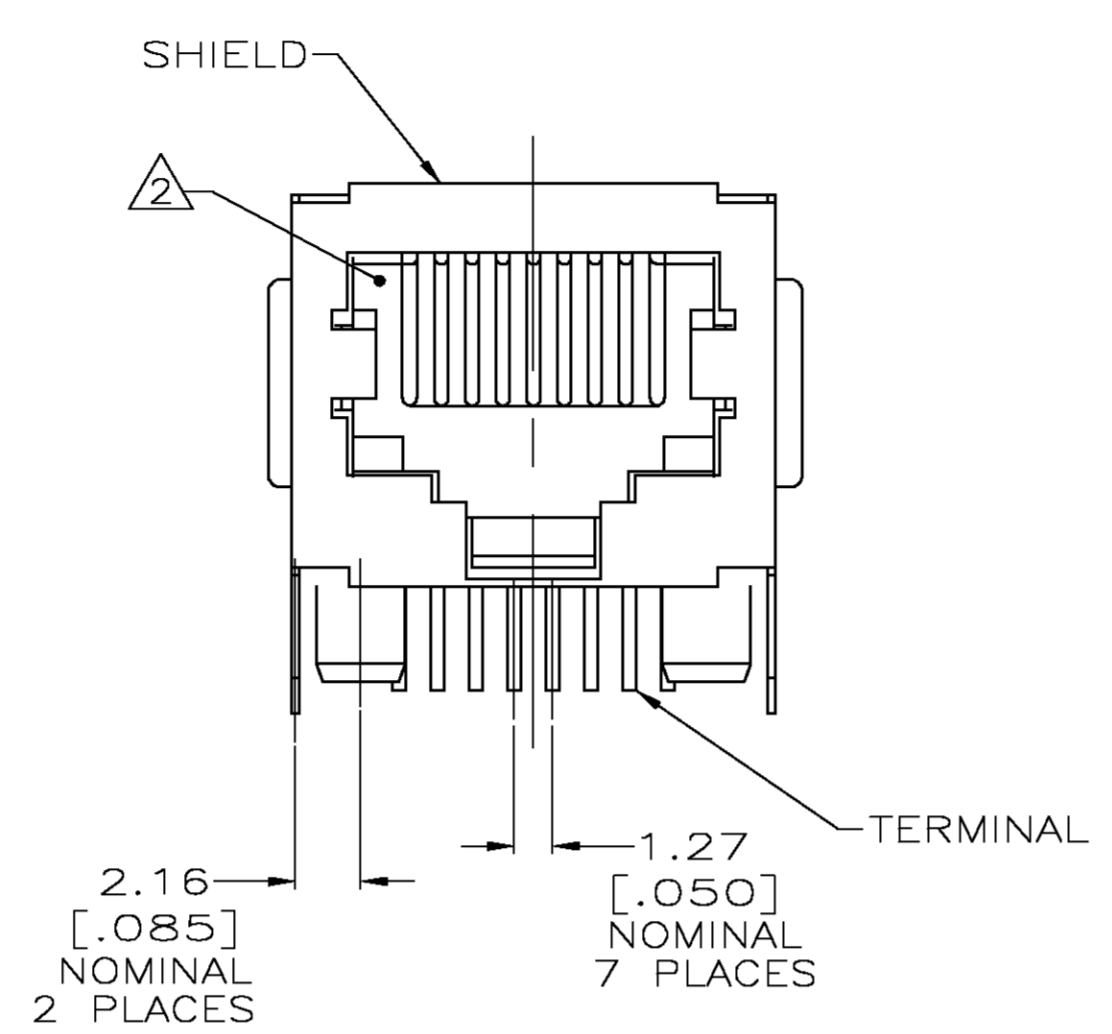
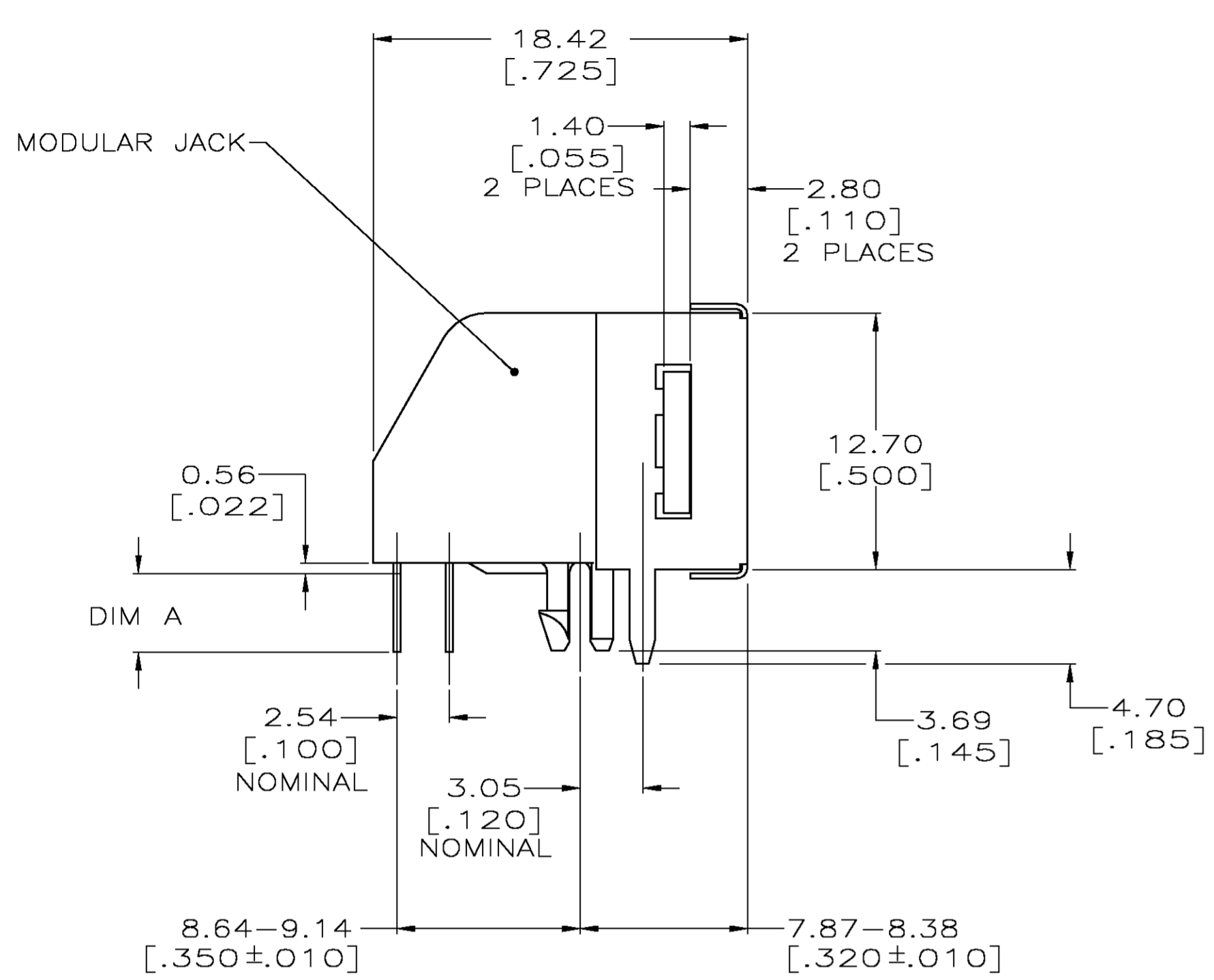
JAMECO[®]
ELECTRONICS

www.Jameco.com ♦ 1-800-831-4242

The content and copyrights of the attached
material are the property of its owner.

Jameco Part Number 524453

LOC		DIST		REVISIONS			
GP	00	P	LTR	DESCRIPTION	DATE	BY	APPD
		K		REVISED PER EC 0511-0033-04	06FEB04	JB	BK



SUGGESTED PRINTED CIRCUIT BOARD MOUNTING HOLE LAYOUT
 (VIEW SHOWN IS CIRCUIT SIDE OF BOARD)

- 1 MATERIAL:
 HOUSING - PBT POLYESTER BLACK.
 TERMINAL - 0.36[.014] THICK PHOS-BRONZE PLATED WITH 1.27μm[.000050] THICK HARD GOLD IN LOCALIZED GOLD PLATE AREA AND 2.03μm[.000080] THICK TIN-LEAD IN SOLDER AREA OVER 1.27μm[.000050] THICK NICKEL UNDERPLATE.
 SHIELD - 0.25[.010] THICK COPPER ALLOY, TIN-LEAD PLATED.
- 2 CAVITY CONFORMS TO FCC RULES AND REGULATIONS, PART 68, SUBPART F.
- 3 DIMENSIONS ARE MAXIMUM UNLESS OTHERWISE SPECIFIED.
- 4 BULK PACKAGED IN A TRAY.
- 5 32 ASSEMBLIES PACKAGED PER TUBE, SEE DETAIL B.

DIM A	PACKAGED	PART NUMBER
1.78-2.79 [.09±.02]	△	555153-6
2.54-3.05 [.11±.01]	△	555153-5
4.06-4.57 [.17±.01]	△	555153-4
3.30-4.32 [.15±.02]	△	555153-3
3.30-4.32 [.15±.02]	△	555153-1

THIS DRAWING IS A CONTROLLED DOCUMENT.

DIMENSIONS: MM 0 PLC ± - 1 PLC ± - 2 PLC ± - 3 PLC ± - 4 PLC ± - ANGLES ± - MATERIAL △ FINISH △	TOLERANCES UNLESS OTHERWISE SPECIFIED: 0 PLC ± - 1 PLC ± - 2 PLC ± - 3 PLC ± - 4 PLC ± - ANGLES ± - MATERIAL △ FINISH △	DWN J. GALUCCI/UTA 20MAY94 CHK D. HUSSEY 24MAY94 APVD J. TONEY 25MAY94 NAME MODULAR JACK ASSEMBLY, 8 POSITION, SHIELDED, LOW PROFILE, RIGHT ANGLE WITH PRINTED CIRCUIT BOARD GROUND AND PANEL STOPS APPLICATION SPEC SIZE A1 CAGE CODE 00779 DRAWING NO. C=555153 WEIGHT CUSTOMER DRAWING	Tyco Electronics Corporation Tyco Electronics MODULAR JACK ASSEMBLY, 8 POSITION, SHIELDED, LOW PROFILE, RIGHT ANGLE WITH PRINTED CIRCUIT BOARD GROUND AND PANEL STOPS SCALE 4:1 SHEET 1 OF 1 REV K
--	---	--	---