

Distributed by:

JAMECO[®]
ELECTRONICS

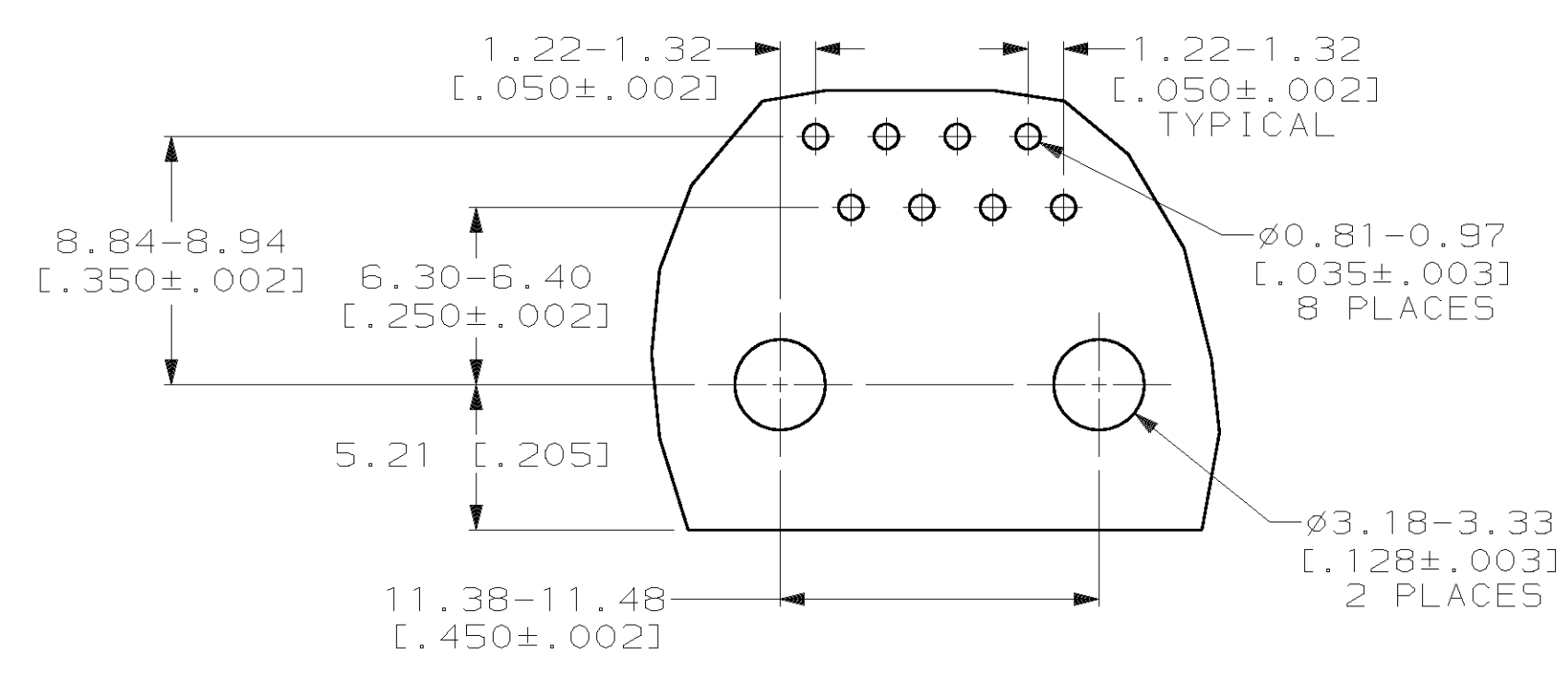
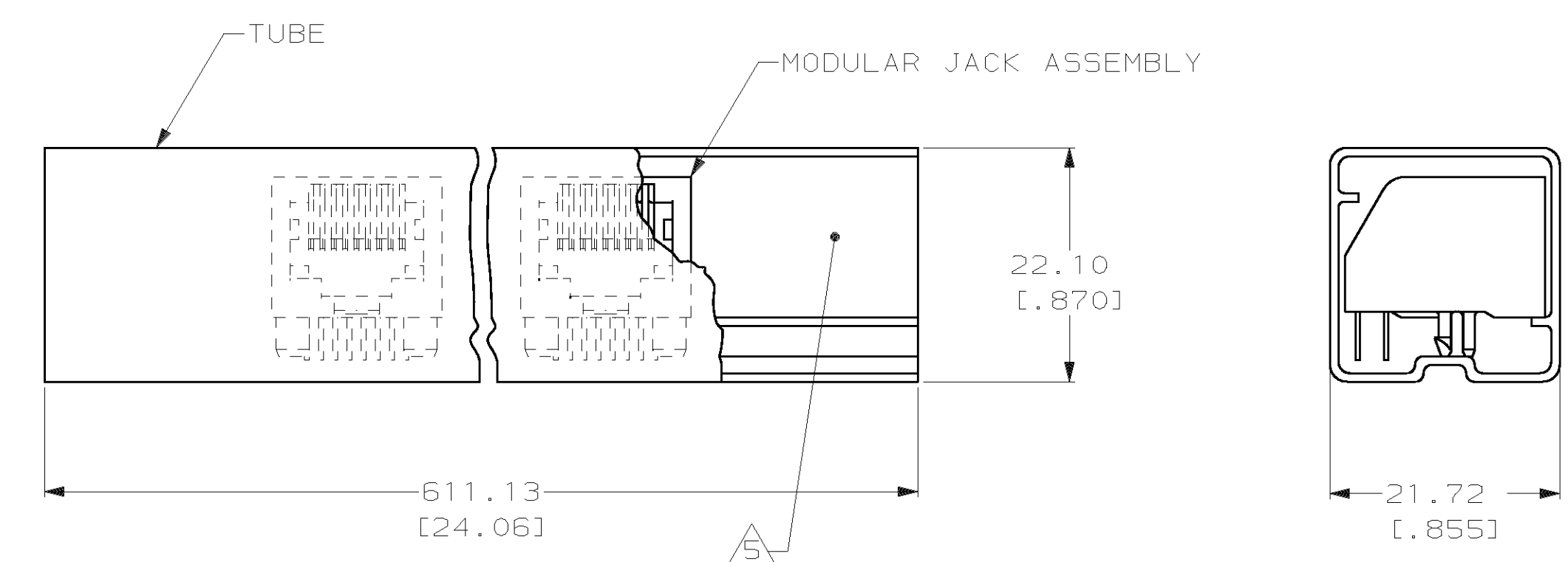
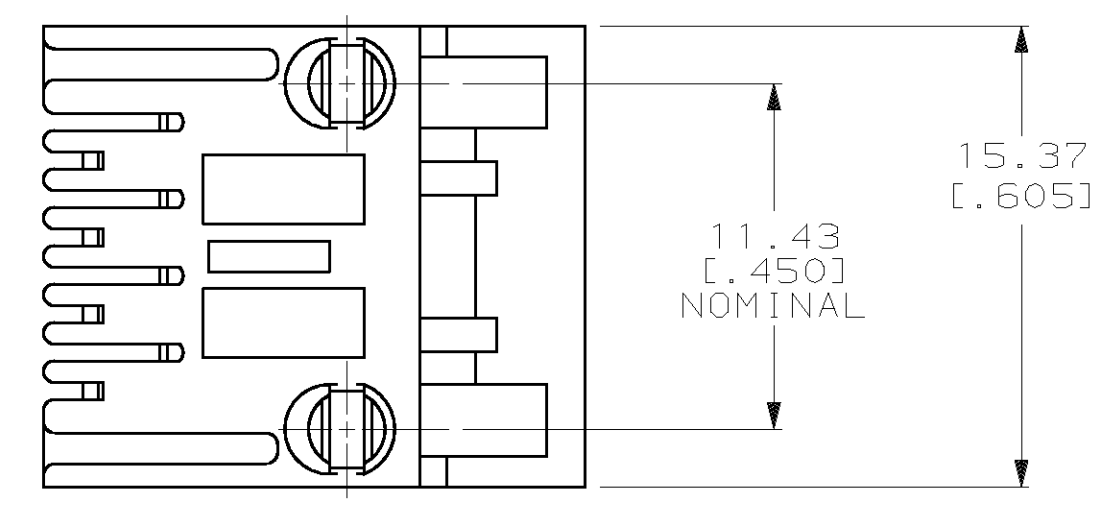
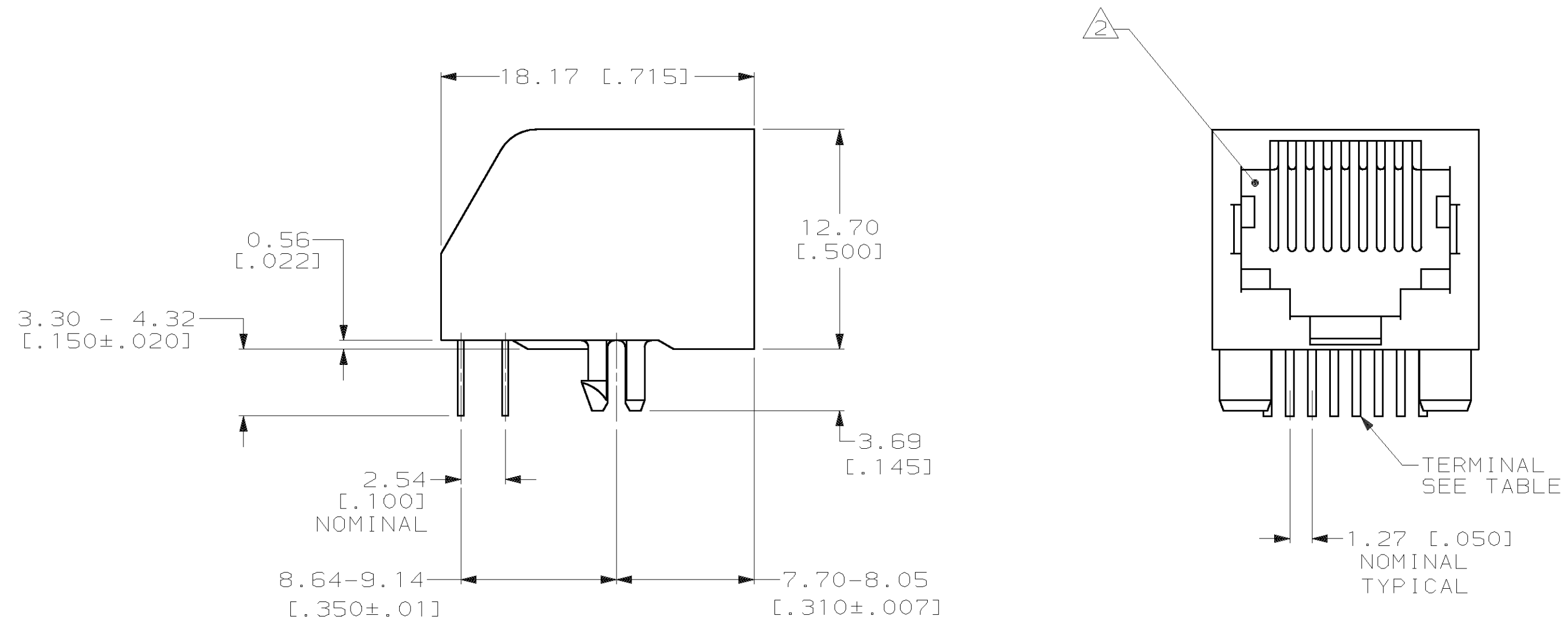
www.Jameco.com ♦ 1-800-831-4242

The content and copyrights of the attached
material are the property of its owner.

Jameco Part Number 524461

LOC	DIST	P	F	ZONE	LTR	DESCRIPTION	DATE	APPD
AA	22					H SUPERSEDED: -3; EC 0UF0-0013-01	14SEP01	DD

- ① MATERIAL:
 HOUSING - PBT POLYESTER, SEE TABLE.
 TERMINAL - 0.36 [.014] THICK PHOS
 BRONZE PLATED WITH 1.27µm [.000050]
 MINIMUM THICK HARD GOLD IN LOCALIZED
 GOLD PLATE AREA AND 2.03µm [.000080]
 MINIMUM THICK TIN LEAD IN SOLDER AREA
 OVER 1.27µm [.000050] THICK NICKEL
 UNDERPLATE.
- ② CAVITY CONFORMS TO FCC RULES AND
 REGULATIONS PART 68, SUBPART F.
- ③ DIMENSIONS ARE MAXIMUM UNLESS
 OTHERWISE SPECIFIED.
- ④ BULK PACKAGED IN A TRAY.
- ⑤ 37 ASSEMBLIES PACKAGED PER TUBE, SEE
 DETAIL B.



PACKAGED	HOUSING COLOR	TERMINALS REQUIRED	PART NUMBER
⑤	BLACK	8	555164-4
④	GRAY	8	555164-3
④	BLACK	8	555164-1

DO NOT SCALE PRINT. UNLESS SPECIFIED DIMENSIONS IN mm [INCHES] TOLERANCES ON:		DR 11-9-95 D. STRAUSSER		AMP AMP Incorporated Harrisburg, PA 17105-3608
2 PLC DEC ±		CHK 11-14-95 N. JONES		
3 PLC DEC ±		APPD 11-20-95 J. TONEY		
ANGLES ±		APPD 11-20-95 H. McGRATH		NAME MODULAR JACK ASSEMBLY, 8 POSITION, LOW PROFILE, RIGHT ANGLE, WITHOUT PANEL STOPS
MATERIAL		PRODUCT SPEC 108-1163		SIZE D 00779 C=555164
FINISH		APPLICATION SPEC 114-2048		CAGE CODE 00779
WEIGHT		SCALE 4:1		DRAWING NO C=555164
				SHEET 1 OF 1

THIS DRAWING IS A CONTROLLED DOCUMENT FOR AMP INCORPORATED. IT IS SUBJECT TO CHANGE AND THE CONTROLLING ENGINEERING ORGANIZATION SHOULD BE CONTACTED FOR THE LATEST REVISION.