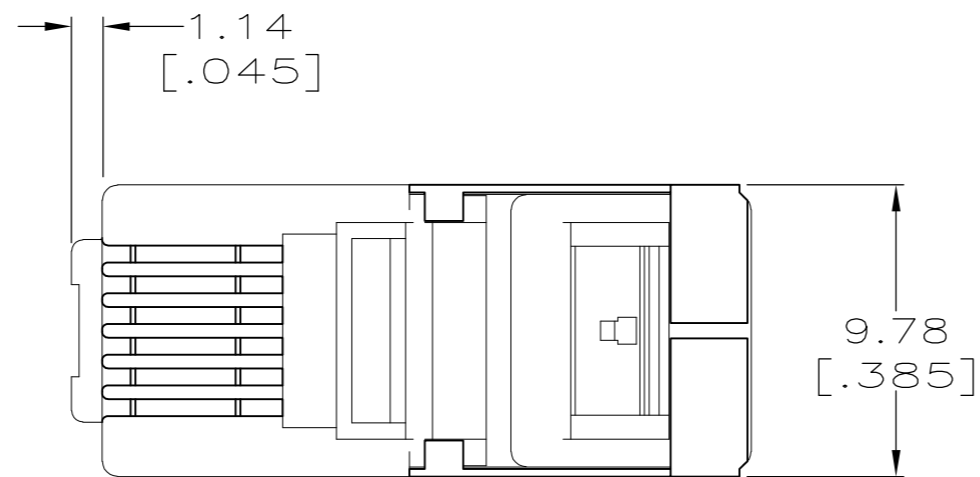


THIS DRAWING IS UNPUBLISHED. RELEASED FOR PUBLICATION
 © COPYRIGHT - By - ALL RIGHTS RESERVED.

LOC	DIST	REVISIONS			
P	LTR	DESCRIPTION	DATE	DWN	APVD
HM	00	J	REV PER ECO-12-012918	05JUL2012	JM JG



1 MATERIAL: HOUSING - POLYCARBONATE, CLEAR.
 TERMINAL - 0.36[.014] THICK PHOSPHOR BRONZE PLATED WITH 1.27 μ m[.000050] THICK GOLD IN LOCALIZED GOLD PLATE AREA, OVER 2.54 μ m[.000100] THICK NICKEL UNDERPLATE.
 SHIELD - 0.25[.010] THICK COPPER ALLOY, SATIN NICKEL PLATED.

2. ALL DIMENSIONS SHOWN ARE MAXIMUM UNLESS OTHERWISE SPECIFIED.

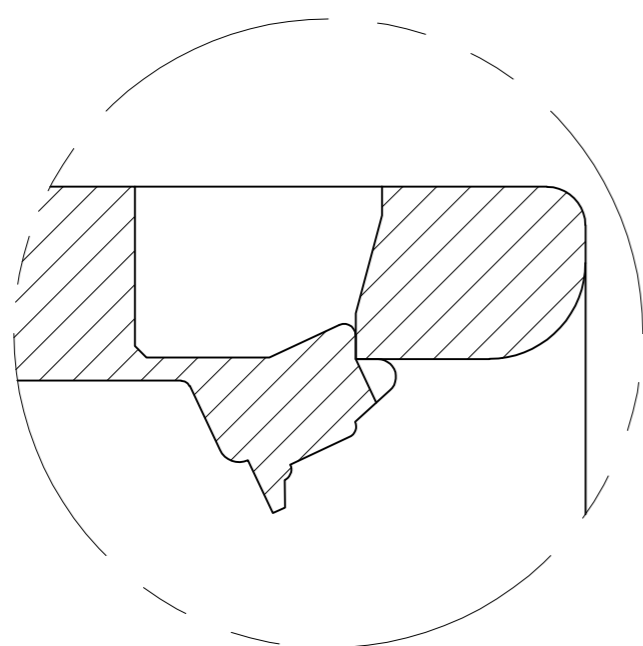
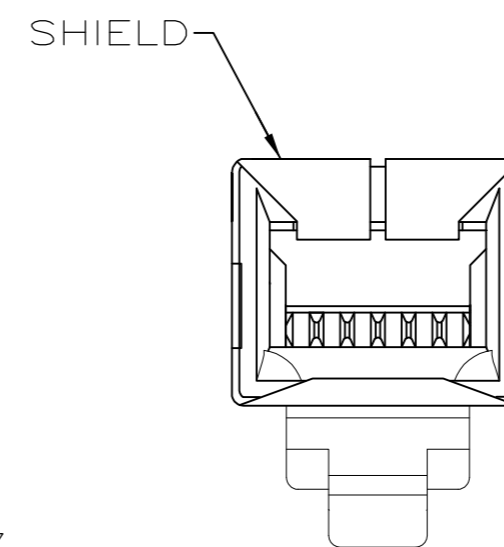
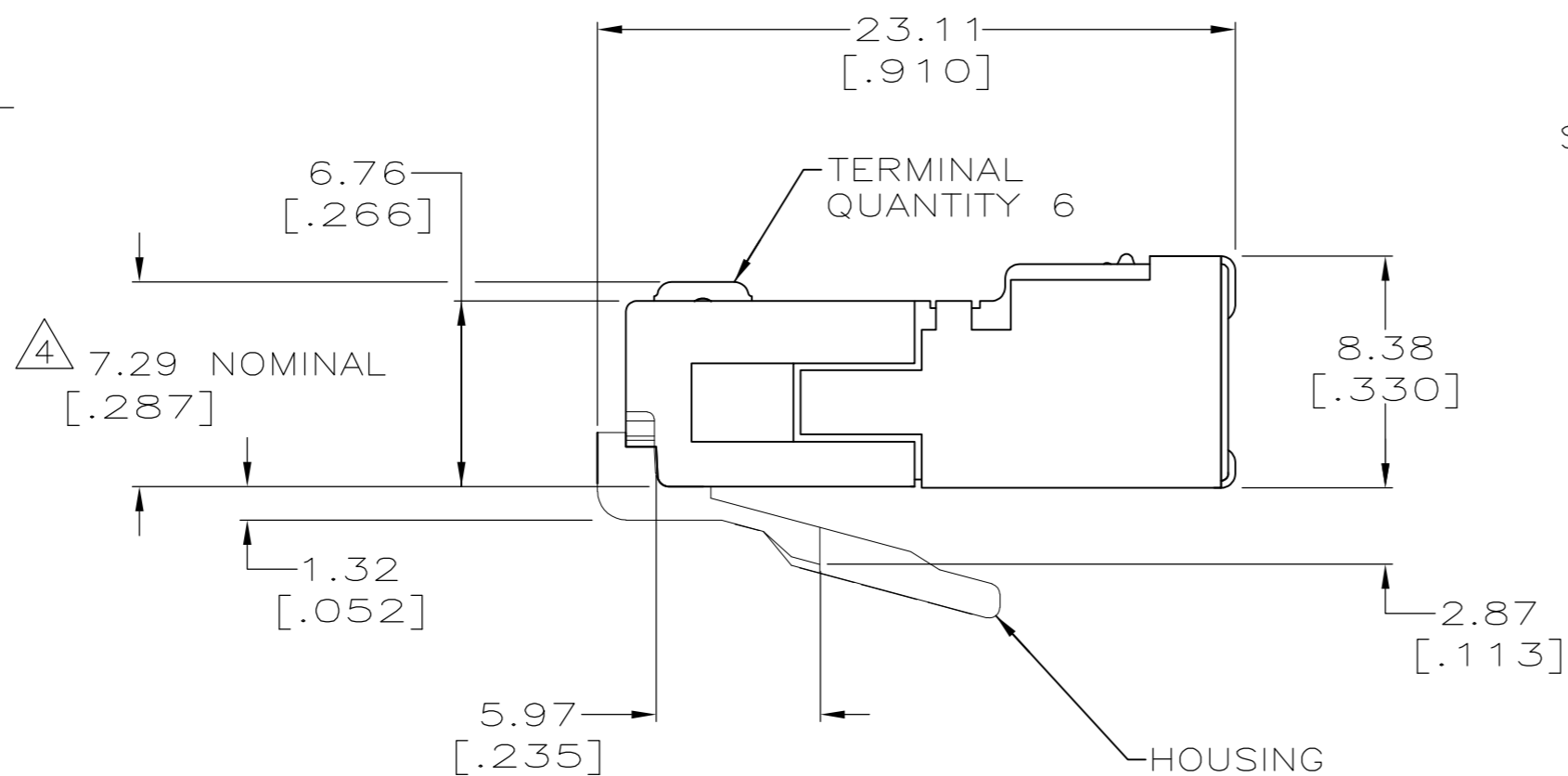
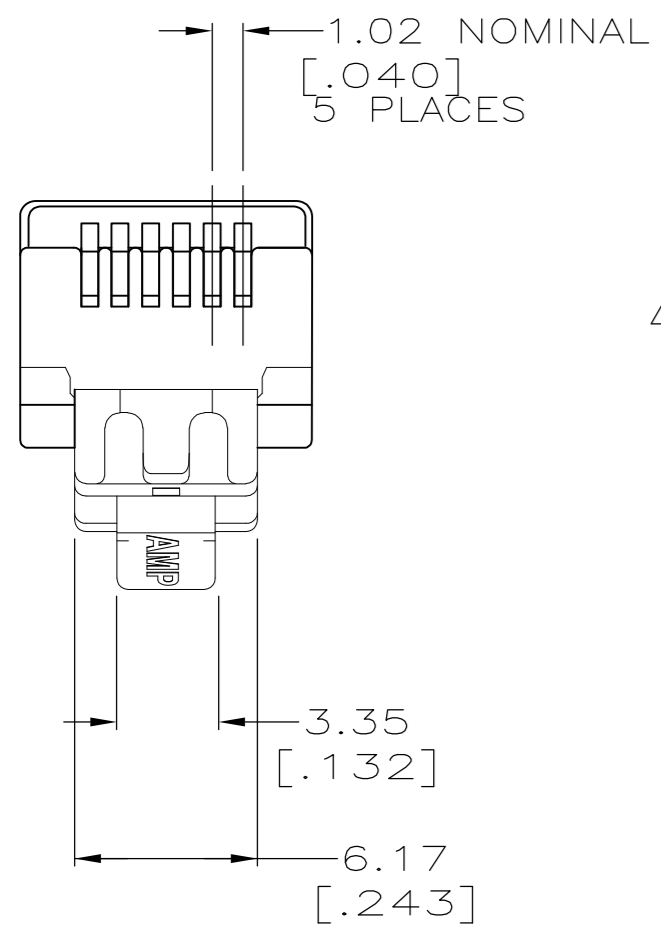
3. PLUG WILL ACCEPT 0.74-0.99[.029-.039] DIAMETER STRANDED WIRE, 26 OR 28 AWG, WITH A .180 DIAMETER MAXIMUM JACKET.

4 TERMINATED DIMENSION: 6.15[.242] MAXIMUM.

5 LATCH SHALL BE IN POSITION SHOWN IN DETAIL "A" AFTER CRIMPING.

7 500 ASSEMBLIES PER PACKAGE.

8 100 ASSEMBLIES PER PACKAGE.



5 DETAIL A
 LATCH POSITION AFTER CRIMPING
 SCALE 10:1

8	5-555175-3
7	5-555175-2
PACKAGED	PART NUMBER

THIS DRAWING IS A CONTROLLED DOCUMENT.		DWN	VIC SLACK	11 MAR 87		TE Connectivity			
		CHK	BOB FOX	16 MAR 87		MODULAR PLUG ASSEMBLY, 6 POSITION, LONG BODY, SHIELDED, ROUND CABLE, STRANDED WIRE			
		APVD	GENE REED	31 MAR 87					
		PRODUCT SPEC				RESTRICTED TO			
DIMENSIONS: mm [INCHES]		TOLERANCES UNLESS OTHERWISE SPECIFIED:		APPLICATION SPEC		SIZE	CAGE CODE	DRAWING NO	REV
0 PLC ± -		1 PLC ± -		2 PLC ± 0.13[.005]		A2	00779	C=555175	J
3 PLC ± -		4 PLC ± -		ANGLES ± -		SCALE 4:1		SHEET 1 of 1	
MATERIAL		FINISH		WEIGHT		CUSTOMER DRAWING		REV	
1 -		1 -		-					