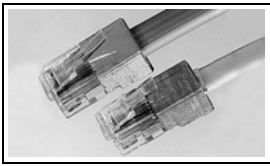


## 5-555175-3 Product Details

[Share](#) [Print](#) [Email](#)



**5-555175-3**

TE Internal Number: 5-555175-3  
✔ Active

[View 3D PDF](#)

### Modular Plugs and Accessories

Always EU RoHS/ELV Compliant (Statement of Compliance)

#### Product Highlights:

- Connector
- Performance Category = Cat 3
- 6 Contacts Loaded
- Shielded
- Conductor Type = Stranded

[View all Features](#)

### Quick Links

- ▶ [Pricing & Availability](#)
- ▶ [Search for Tooling](#)
- ▶ [Product Feature Selector](#)
- ▶ [Contact Us About This Product](#)

[Add to My Part List](#) [Request Sample](#) [Find Similar Products](#) [Buy Product](#)

### Documentation & Additional Information

#### Product Drawings:

- [MODULAR PLUG ASSEMBLY, 6 POSITION, LONG BODY, SHIELD...](#) (PDF, English)

#### Catalog Pages/Data Sheets:

- None Available

#### Product Specifications:

- None Available

#### Application Specifications:

- [Modular Plug Connectors \(Standard and Small Conductor\)](#) (PDF, English)

#### Instruction Sheets:

- None Available

#### CAD Files: [\(CAD Format & Compression Information\)](#)

- [2D Drawing](#) (DXF, Version S)
- [3D Model](#) (IGES, Version S)
- [3D Model](#) (STEP, Version S)

[List all Documents](#)

#### Additional Information:

- [Product Line Information](#)

#### Related Products:

- [Tooling](#)

### Product Features (Please use the Product Drawing for all design activity)

#### Product Type Features:

- Product Type = Connector
- [Performance Category](#) = Cat 3
- Cable Style = Round
- [Latch Style](#) = Standard
- [Keyed](#) = No
- [Small Conductor](#) = No
- Shield Material = Copper Alloy

#### Electrical Characteristics:

- [Shielded](#) = Yes

#### Dimensions:

- Cable Diameter Range (mm [in]) = 4.58 [0.180]
- Conductor Insulation Diameter (mm [in]) = 0.74 - 0.99 [0.029 - 0.039]
- Conductor Outer Diameter (mm [in]) = 0.74 - 0.99 [0.029 - 0.039]

#### Body Features:

- Conductor Type = Stranded
- Shield Plating = Semi-Bright Nickel
- Body Size = Long

#### Contact Features:

- Contact Base Material = Phosphor Bronze
- Contact Plating, Mating Area, Material = Gold (50)

#### Housing Features:

- Connector Style = Plug - Modular
- Housing Material = Polycarbonate GF
- UL Flammability Rating = UL 94V-2

#### Configuration Features:

- [Number of Contacts Loaded](#) = 6
- [Number of Positions](#) = 6
- Conductor (Wire) Size = 26 - 28 AWG

#### Industry Standards:

- [RoHS/ELV Compliance](#) = RoHS compliant, ELV compliant
- [Lead Free Solder Processes](#) = Not relevant for lead free process
- RoHS/ELV Compliance History = Always was RoHS compliant

#### Packaging Features:

- [Packaging Method](#) = Box
- Qty./Box = 100

#### Product Availability:

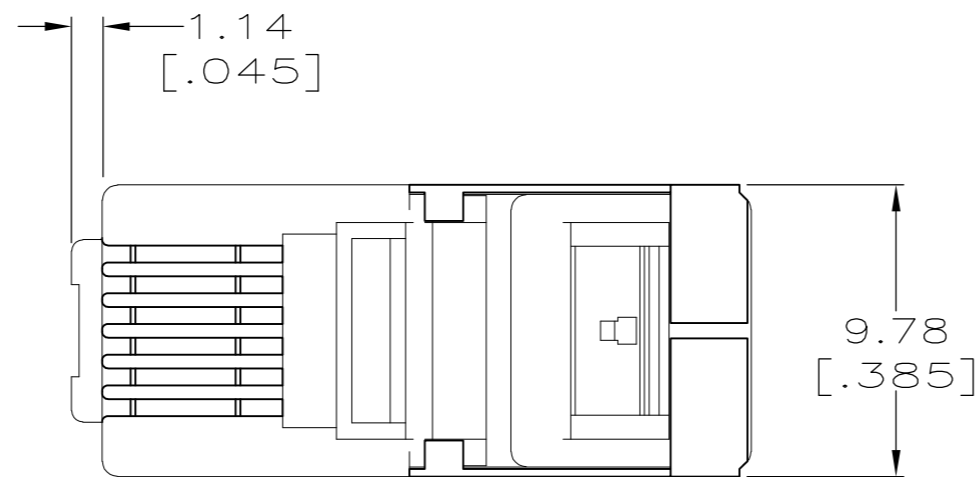
- Region = Asia, EMEA, North America, Latin America, Australia/New Zealand

#### Other:

- Brand = AMP
- Comment = Maximum Conductor Insulation is 0.039 inches (0.99 mm).; Maximum Cable Diameter is 0.18 inches (4.58 mm).

THIS DRAWING IS UNPUBLISHED. RELEASED FOR PUBLICATION  
 © COPYRIGHT - By - ALL RIGHTS RESERVED.

LOC	DIST	REVISIONS			
P	LTR	DESCRIPTION	DATE	DWN	APVD
HM	00	J	REV PER ECO-12-012918	05JUL2012	JM JG



1 MATERIAL: HOUSING - POLYCARBONATE, CLEAR.  
 TERMINAL - 0.36[.014] THICK PHOSPHOR BRONZE PLATED WITH 1.27 $\mu$ m[.000050] THICK GOLD IN LOCALIZED GOLD PLATE AREA, OVER 2.54 $\mu$ m[.000100] THICK NICKEL UNDERPLATE.  
 SHIELD - 0.25[.010] THICK COPPER ALLOY, SATIN NICKEL PLATED.

2. ALL DIMENSIONS SHOWN ARE MAXIMUM UNLESS OTHERWISE SPECIFIED.

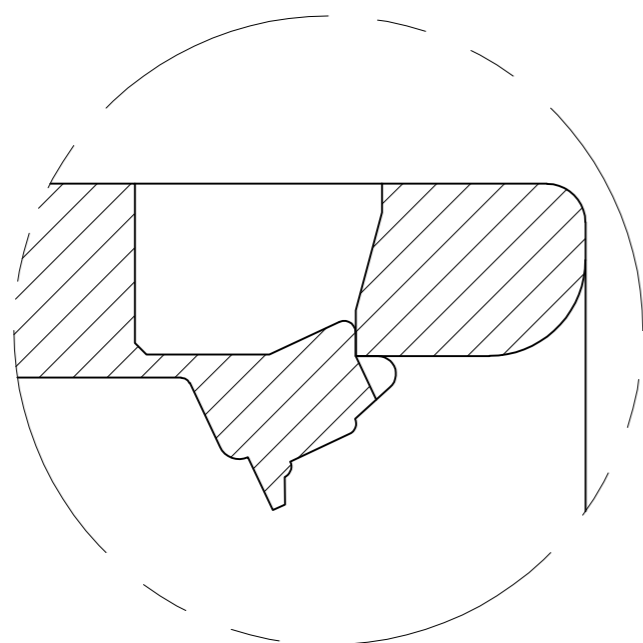
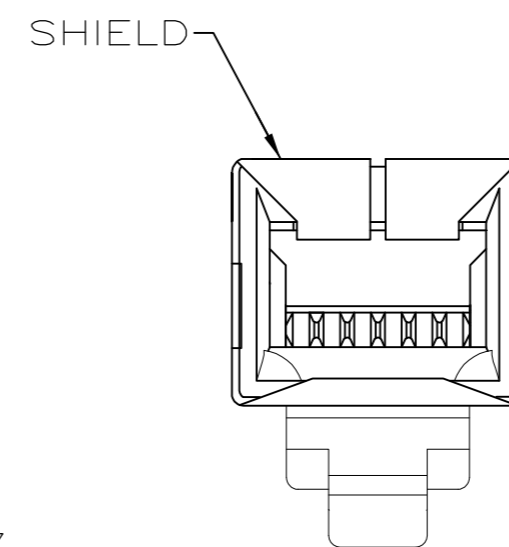
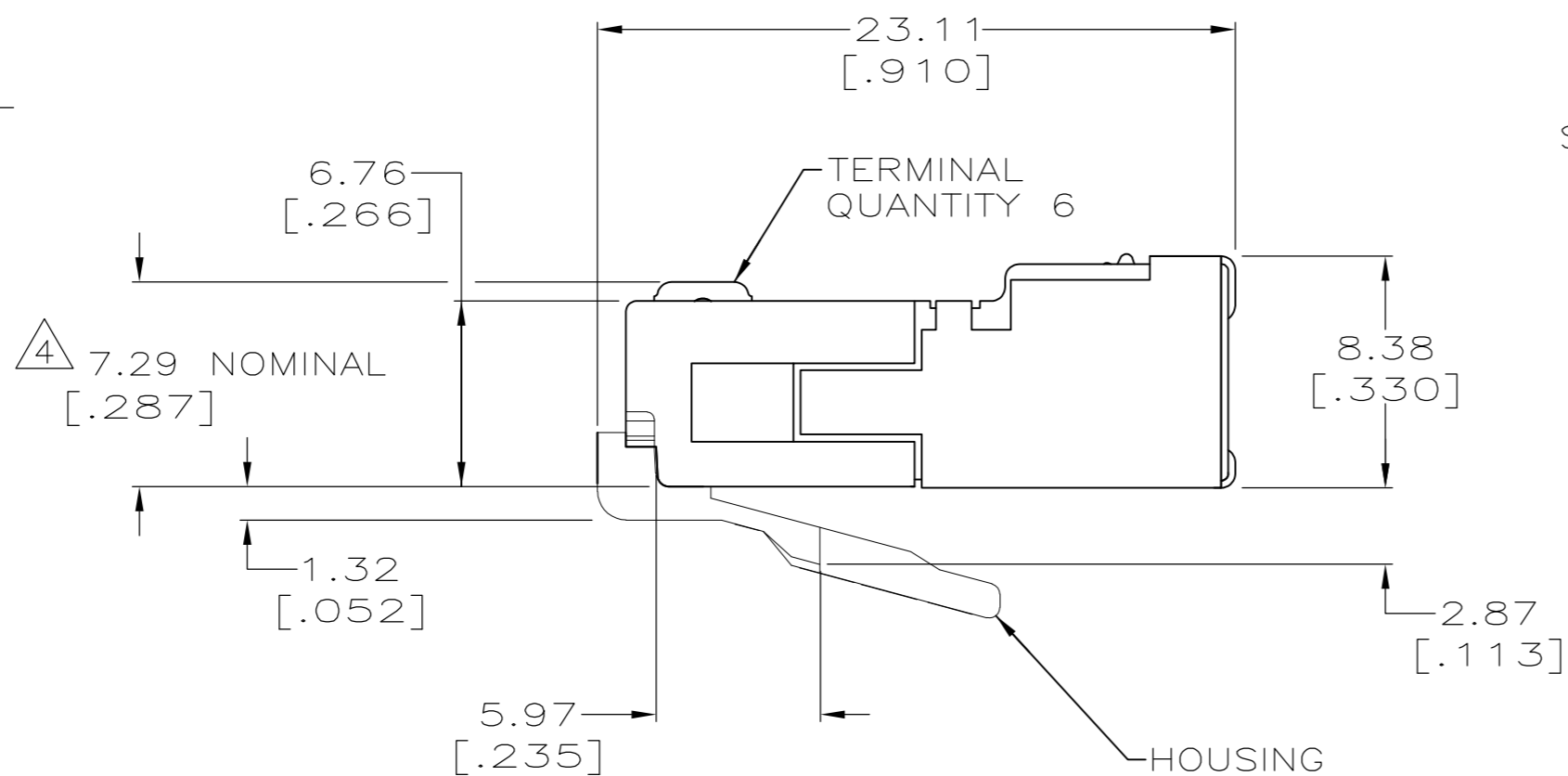
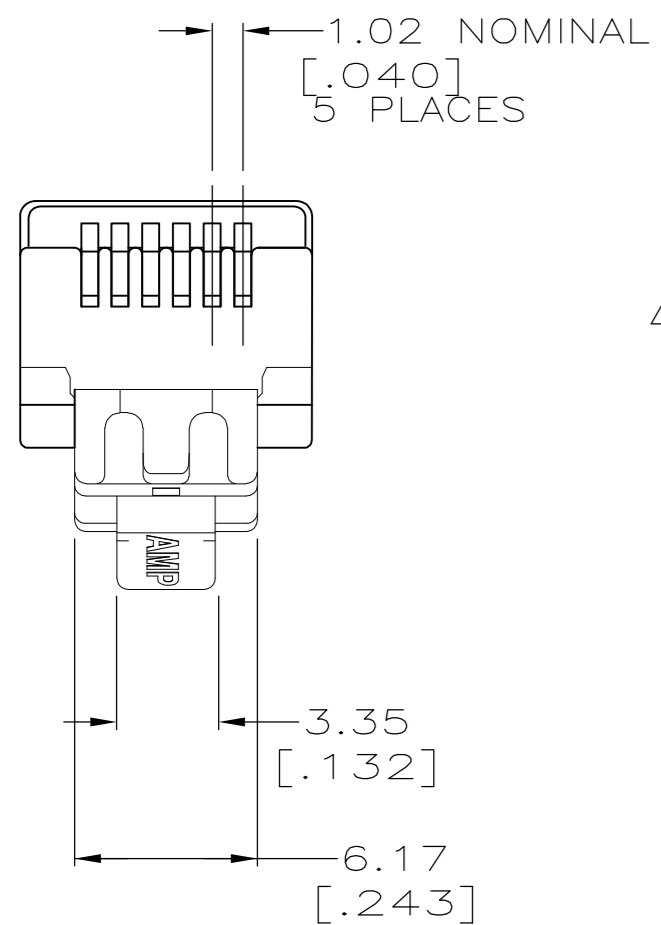
3. PLUG WILL ACCEPT 0.74-0.99[.029-.039] DIAMETER STRANDED WIRE, 26 OR 28 AWG, WITH A .180 DIAMETER MAXIMUM JACKET.

4 TERMINATED DIMENSION: 6.15[.242] MAXIMUM.

5 LATCH SHALL BE IN POSITION SHOWN IN DETAIL "A" AFTER CRIMPING.

7 500 ASSEMBLIES PER PACKAGE.

8 100 ASSEMBLIES PER PACKAGE.



5 DETAIL A  
 LATCH POSITION AFTER CRIMPING  
 SCALE 10:1

8	5-555175-3
7	5-555175-2
PACKAGED	PART NUMBER

THIS DRAWING IS A CONTROLLED DOCUMENT.		DWN	VIC SLACK	11 MAR 87		TE Connectivity				
DIMENSIONS: mm [INCHES]		CHK	BOB FOX	16 MAR 87		NAME				
TOLERANCES UNLESS OTHERWISE SPECIFIED:		APVD	GENE REED	31 MAR 87		PRODUCT SPEC				
0 PLC ± -		APPLICATION SPEC		NAME						
1 PLC ± -		WEIGHT		SIZE				CAGE CODE	DRAWING NO	RESTRICTED TO
2 PLC ± 0.13[.005]		CUSTOMER DRAWING		A2				00779	C=555175	-
3 PLC ± -		SCALE		4:1				SHEET	1 of 1	REV
4 PLC ± -		FINISH		1				J		
ANGLES ± -		MATERIAL		1						
FINISH		SCALE		4:1				SHEET	1 of 1	REV