



**Have a Question?**  
 Chat with a Product  
 Information Specialist

What can we help you find?

[Products](#) [Industries](#) [Resources](#) [About TE](#) [My Account](#) [Innovation](#) [Support Center](#)

**5-555176-3 Product Details**

[Share](#) [Print](#) [Email](#)



**5-555176-3**

TE Internal Number: 5-555176-3

Active

[View 3D PDF](#)

**Modular Plugs and Accessories**

Always EU RoHS/ELV Compliant (Statement of Compliance)

**Product Highlights:**

- Connector
- Performance Category = Cat 3
- 6 Contacts Loaded
- Not Shielded
- Conductor Type = Stranded

[View all Features](#)

**Quick Links**

- ▶ [Pricing & Availability](#)
- ▶ [Search for Tooling](#)
- ▶ [Product Feature Selector](#)
- ▶ [Contact Us About This Product](#)

[Add to My Part List](#) [Request Sample](#) [Find Similar Products](#) [Buy Product](#)

**Documentation & Additional Information**

**Product Drawings:**

- [MODULAR PLUG ASSEMBLY, 6 POSITION, LONG BODY FLAT OV...](#) (PDF, English)

**Catalog Pages/Data Sheets:**

- None Available

**Product Specifications:**

- None Available

**Application Specifications:**

- [Modular Plug Connectors \(Standard and Small Conductor\)](#) (PDF, English)

**Instruction Sheets:**

- None Available

**CAD Files:** ([CAD Format & Compression Information](#))

- [2D Drawing](#) (DXF, Version M)
- [3D Model](#) (IGES, Version M)
- [3D Model](#) (STEP, Version M)

[List all Documents](#)

**Additional Information:**

- [Product Line Information](#)

**Related Products:**

- [Tooling](#)

**Product Features (Please use the Product Drawing for all design activity)**

**Product Type Features:**

- Product Type = Connector
- Performance Category = Cat 3
- Cable Style = Flat Oval
- Latch Style = Standard
- Keyed = No
- Small Conductor = No

**Electrical Characteristics:**

- Shielded = No

**Dimensions:**

- Cable Diameter Range (mm [in]) = 2.54 - 8.89 [0.100 - 0.350]
- Conductor Insulation Diameter (mm [in]) = 0.74 - 0.99 [0.029 - 0.039]
- Conductor Outer Diameter (mm [in]) = 0.74 - 0.99 [0.029 - 0.039]

**Body Features:**

- Conductor Type = Stranded
- Body Size = Long

**Contact Features:**

- Contact Base Material = Phosphor Bronze
- Contact Plating, Mating Area, Material = Gold (50)

**Housing Features:**

- Connector Style = Plug - Modular
- Housing Material = Polycarbonate GF
- UL Flammability Rating = UL 94V-2

**Configuration Features:**

- Number of Contacts Loaded = 6
- Number of Positions = 6
- Conductor (Wire) Size = 26 - 28 AWG

**Industry Standards:**

- [RoHS/ELV Compliance](#) = RoHS compliant, ELV compliant
- [Lead Free Solder Processes](#) = Not relevant for lead free process
- RoHS/ELV Compliance History = Always was RoHS compliant

**Packaging Features:**

- Packaging Method = Box
- Qty./Box = 100

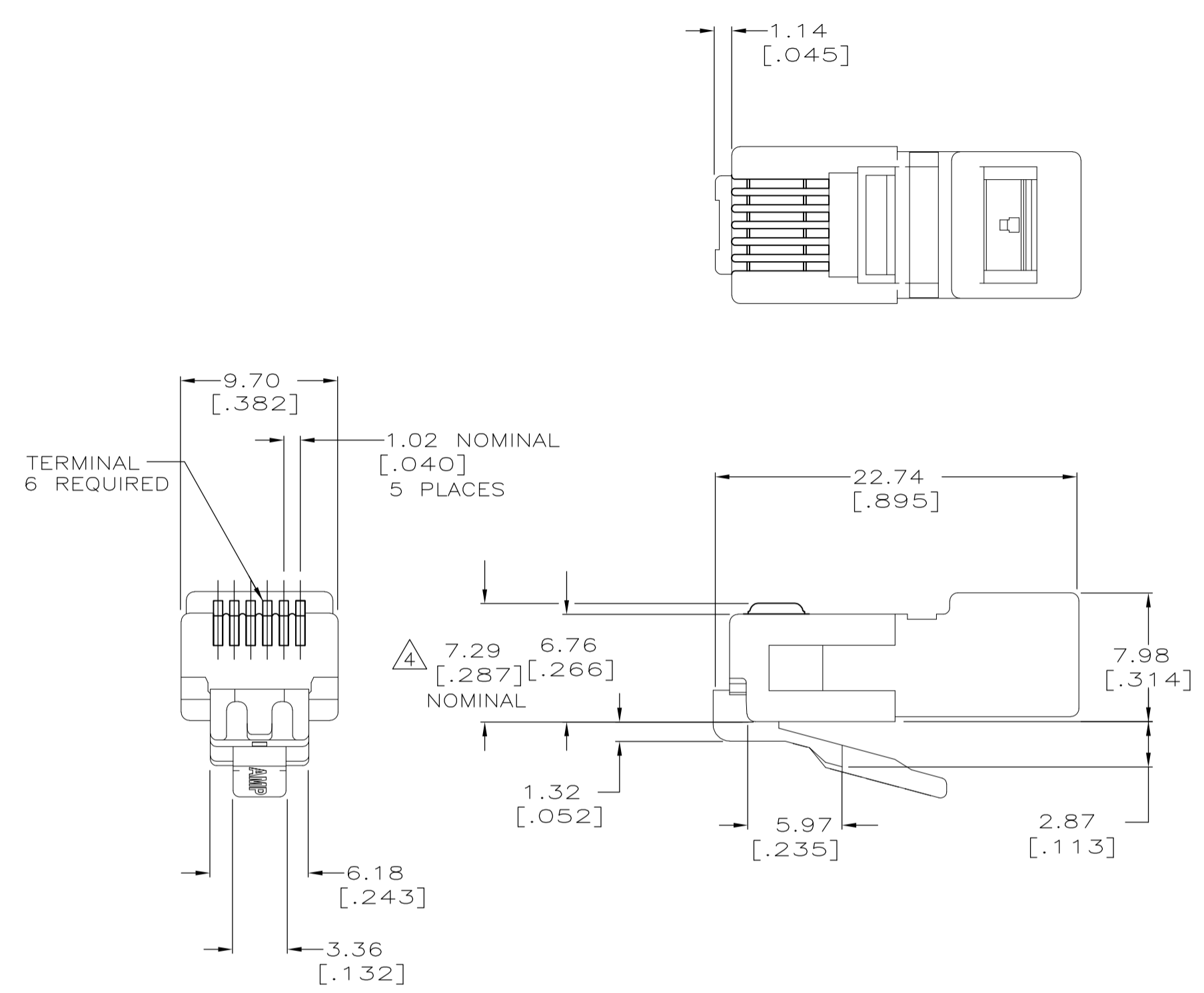
**Product Availability:**

- Region = Asia, EMEA, Latin America, North America, Australia/New Zealand

**Other:**

- Brand = AMP

LOC		DIST		REVISIONS			
HM	00	P	LTR	DESCRIPTION	DATE	DWN	APVD
		K		REV PER ECO-12-012918	05JUL2012	JM	JG



1 MATERIAL: HOUSING—POLYCARBONATE, CLEAR  
 TERMINAL— .014 THICK PHOSPHOR BRONZE, PLATED  
 WITH 1.27 $\mu$ m [.000050] MINIMUM THICK  
 GOLD IN LOCALIZED GOLD PLATE AREA, OVER  
 2.54 $\mu$ m [.000100] MINIMUM THICK NICKEL  
 UNDERPLATE.

2. ALL DIMENSIONS SHOWN ARE MAXIMUM UNLESS  
 OTHERWISE SPECIFIED.

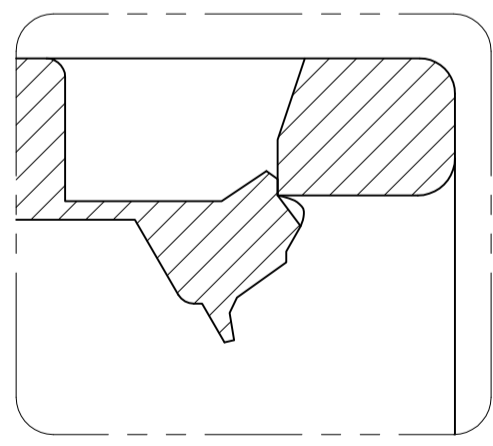
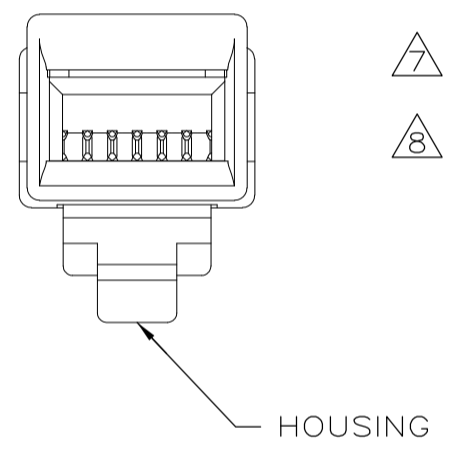
3. PLUG WILL ACCEPT 0.737[.029] – 0.99[.039] DIAMETER  
 STRANDED WIRE, 26 OR 28 AWG WITH A 2.29 [.090] X  
 6.60 [.260] JACKET.

4 TERMINATED DIMENSION 6.15 [.242]  
 MAXIMUM.

5 LATCH SHALL BE IN POSITION SHOWN IN DETAIL A  
 AFTER CRIMPING.

7 500 ASSEMBLIES PER PACKAGE.

8 100 ASSEMBLIES PER PACKAGE.



DETAIL A  
 SCALE 10:1 5

8	5-555176-3
7	5-555176-2
PACKAGED	PART NO

THIS DRAWING IS A CONTROLLED DOCUMENT.		DWN L. HALL 12DEC2007	Tyco Electronics Corporation Harrisburg, PA 17105-3608	
DIMENSIONS: mm [INCHES]		CHK B. MCNEILL 13DEC2007	NAME	
TOLERANCES UNLESS OTHERWISE SPECIFIED:		APVD B. MCNEILL 13DEC2007	PRODUCT SPEC	
0 PLC ± -		APPLICATION SPEC		
1 PLC ± -		WEIGHT		
2 PLC ± -		SIZE CAGE CODE DRAWING NO		
3 PLC ± -		A2 00779 555176		
4 PLC ± -		RESTRICTED TO		
ANGLES ± -		CUSTOMER DRAWING		
FINISH		SCALE 4:1 SHEET 1 OF 1 REV K		