

Distributed by:

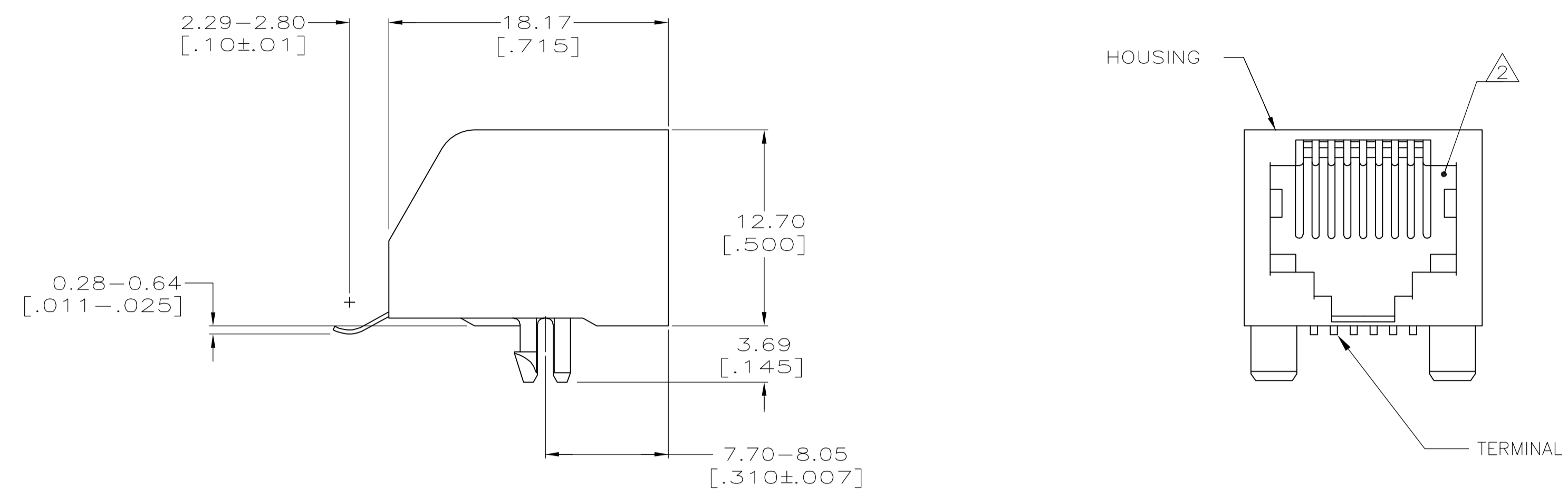
JAMECO[®]
ELECTRONICS

www.Jameco.com ♦ 1-800-831-4242

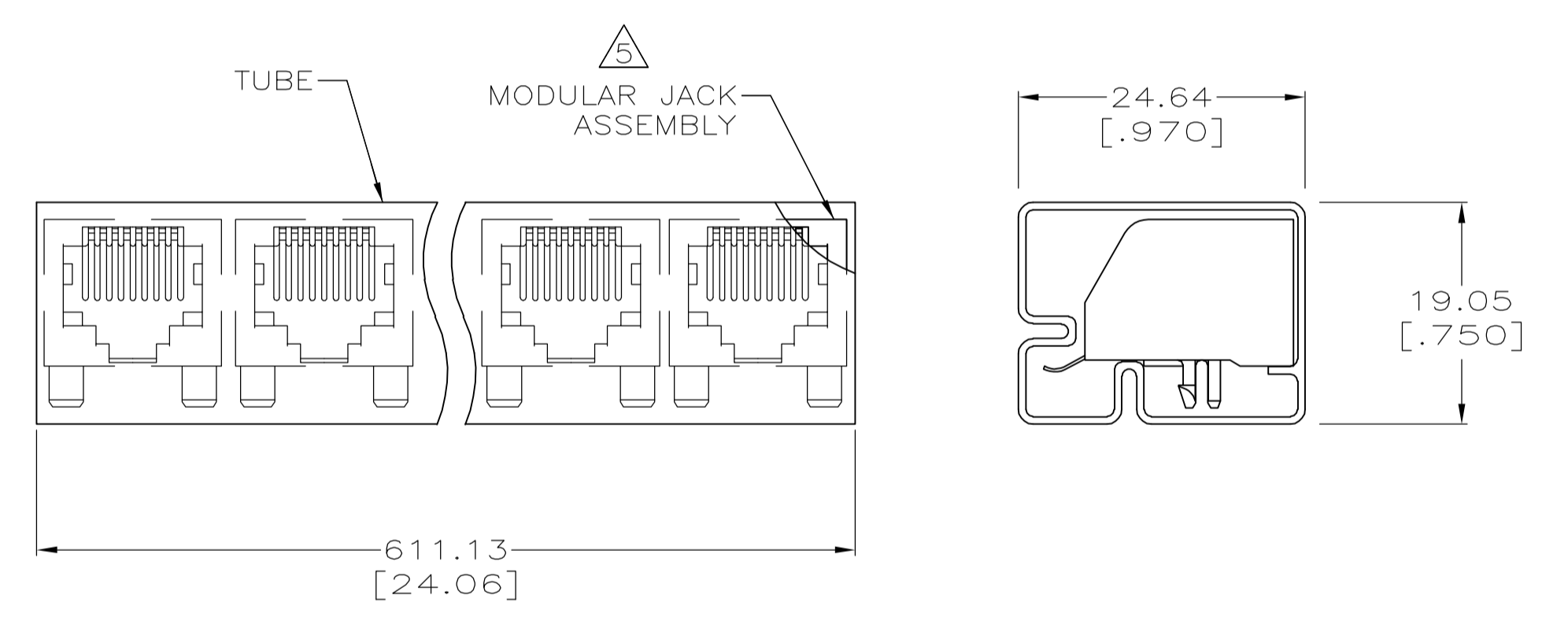
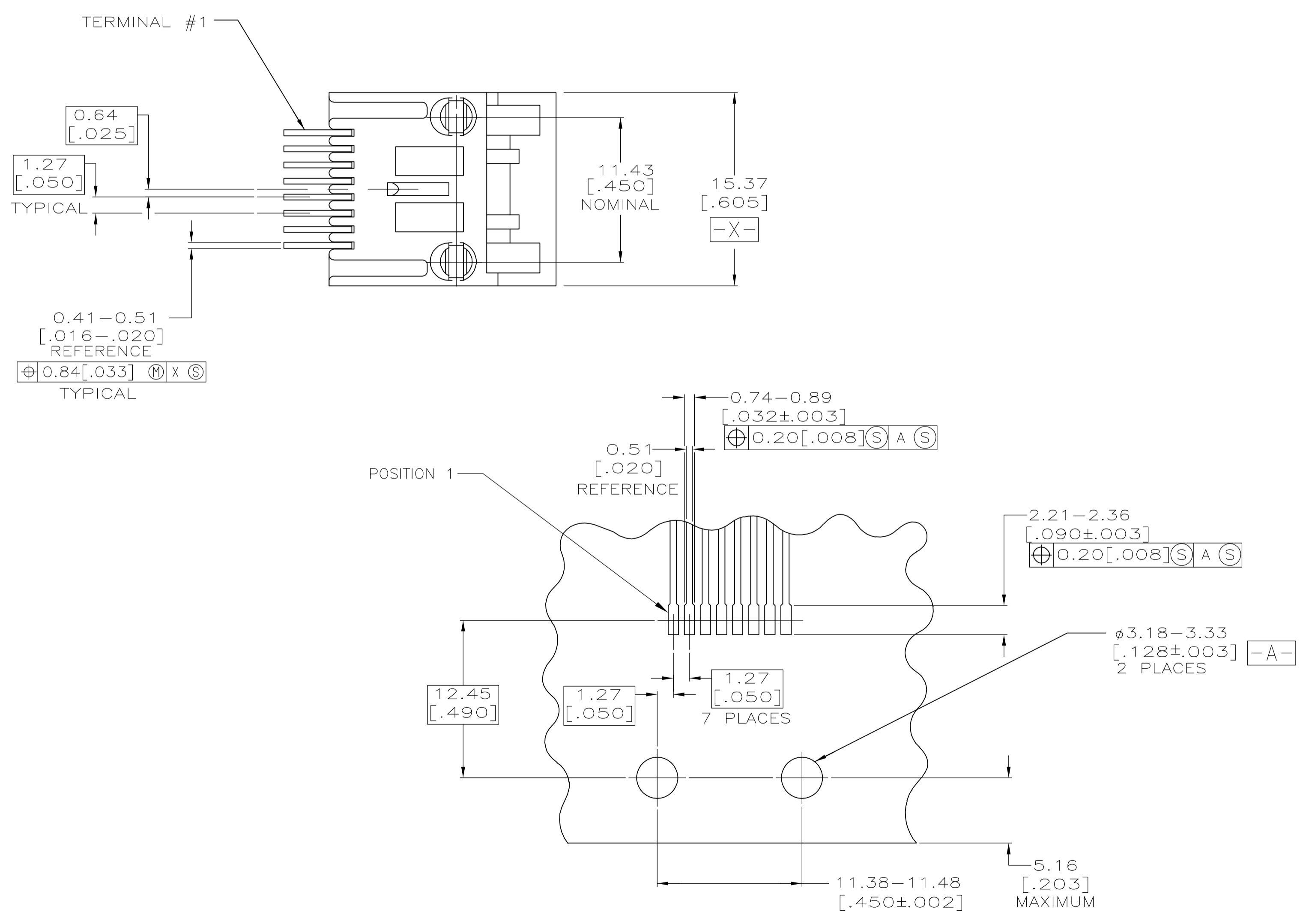
The content and copyrights of the attached
material are the property of its owner.

Jameco Part Number 754937

LOC	DIST	REVISIONS			
P	LTR	DESCRIPTION	DATE	DWN	APVD
AA	22	A	REV PER EC 0511-0201-04	09JUN2005	GA SF



- 1 MATERIAL: HOUSING - HTN MOLDING COMPOUND, 94 VO, BLACK.
 TERMINAL - 0.36 [.014] THICK PHOS-BRONZE PLATE WITH 1.27µm [.000050] MINIMUM THICK HARD GOLD IN LOCALIZED GOLD PLATE AREA AND 3.81µm [.000150] MINIMUM THICK MATTE TIN IN SOLDER AREA OVER 1.27µm [.000050] MINIMUM THICK NICKEL UNDERPLATE.
- 2 CAVITY CONFORMS TO FCC RULES AND REGULATIONS, PART 68, SUBPART F.
- 3. ALL DIMENSIONS SHOWN ARE MAXIMUM UNLESS OTHERWISE SPECIFIED AND ARE PRIOR TO SURFACE MOUNT PROCESSING.
- 4. SNAP-IN RETENTION FEATURE ACCOMMODATES 1.45-1.70 [.062±.005] THICK PRINTED CIRCUIT BOARD.
- 5 ASSEMBLIES ARE PACKAGED 36 IN A TUBE.
- 6 ASSEMBLIES ARE BULK PACKAGED.



DETAIL A
 SCALE 2:1

RECOMMENDED PRINTED CIRCUIT BOARD LAYOUT
 COMPONENT SIDE

5	5555764-3
6	5555764-1
PACKAGED PART NO	

THIS DRAWING IS A CONTROLLED DOCUMENT.		DWN: G. ATTADIA - 09JUN2005 CHK: J. WESTMAN - 09JUN2005		Tyco Electronics Corporation Harrisburg, PA 17105-3608	
DIMENSIONS: mm[inches]		TOLERANCES UNLESS OTHERWISE SPECIFIED:		NAME: FLICKINGER	
0 PLC ± -		1 PLC ± -		PRODUCT SPEC: 108-1163	
2 PLC ± -		3 PLC ± -		APPLICATION SPEC: 114-6040	
4 PLC ± -		ANGLES ± -		SIZE: A1	
MATERIAL: 5		FINISH: 5		CAGE CODE: 00779	
CUSTOMER DRAWING		SCALE: 1:1		DRAWING NO: 5555764	
		SHEET: 1 OF 1		REV: A	