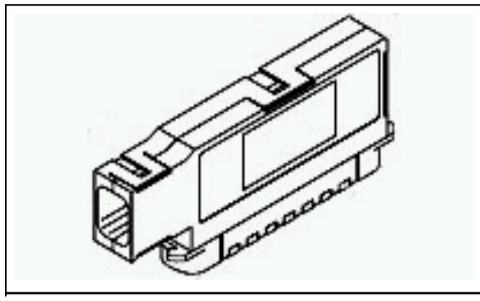


5556624 - 1 Product Details



5556624 - 1

✓ [Active](#)

2.16 [.085] IDC Connectors

[Always EU RoHS/ELV Compliant](#) ([Statement of Compliance](#))

Product Highlights:

- ? Connector Kit
- ? Number of Positions = 64
- ? Standard Profile
- ? Plug
- ? Shielded

[View all Features](#)

Quick Links

- [Check Pricing & Availability](#)
- [Search for Tooling](#)
- [Product Feature Selector](#)
- [Contact Us About This Product](#)

Documentation & Additional Information

Product Drawings:

- ? [PLUG ASSEMBLY KIT, 64 POSITION, 90 DEGREE EXIT, SHIE...](#) (PDF, English)

Catalog Pages/Data Sheets:

- ? None Available

Product Specifications:

- ? None Available

Application Specifications:

- ? None Available

Instruction Sheets:

- ? None Available

CAD Files: ([CAD Format & Compression Information](#))

- ? [3D Model](#) (STEP, Version B)
- ? [3D Model](#) (IGES, Version B)
- ? [2D Drawing](#) (DXF, Version B)

[List all Documents](#)

Additional Information:

- ? [Product Line Information](#)

Related Products:

- ? [Tooling](#)

Product Features (Please use the Product Drawing for all design activity)

Product Type Features:

- ? [Product Type](#) = Connector Kit
- ? [Number of Positions](#) = 64
- ? [Profile](#) = Standard
- ? [Gender](#) = Plug
- ? [Shielded](#) = Yes
- ? [Mating Connector Lock](#) = With
- ? Mating Connector Lock Type = Bail Lock
- ? [Slot Type Letter Code](#) = B
- ? [Wire/Cable Type](#) = 7 Strand, Solid
- ? [Cable Outer Diameter \(mm \[in\]\)](#) = 11.43 - 13.97 [0.450 - 0.550]
- ? Protective Cover = Without
- ? [Insulation Diameter \(mm \[in\]\)](#) = 0.73 - 1.15 [.029 - .045]
- ? Shield Material = Carbon Steel
- ? Color = Black

Mechanical Attachment:

- ? [Panel Attachment](#) = Without

Body Related Features:

- ? [Wire Range \(Solid\) \(mm \[AWG\]\)](#) = 0.51 - 0.40 [24 - 26]
- ? [Wire Range \(Stranded\) \(mm ² \[AWG\]\)](#) = 0.20 ² [24]
- ? [Cable Exit Angle](#) = 90°
- ? Shield Plating = Nickel

Contact Related Features:

- ? Contact Mating Area Plating = Gold Flash over Palladium Nickel over Nickel, Gold (30) over Nickel (50)

Housing Related Features:

- ? Housing Material = Polyphenylene Oxide

Industry Standards:

- ? [RoHS/ELV Compliance](#) = RoHS compliant, ELV compliant
- ? [Lead Free Solder Processes](#) = Not relevant for lead free process
- ? RoHS/ELV Compliance History = Always was RoHS compliant

Packaging Related Features:

- ? [Packaging Method](#) = Individual Kit
- ? Packaging Quantity = 1

Other:

- ? Brand = Tyco Electronics