

Distributed by:

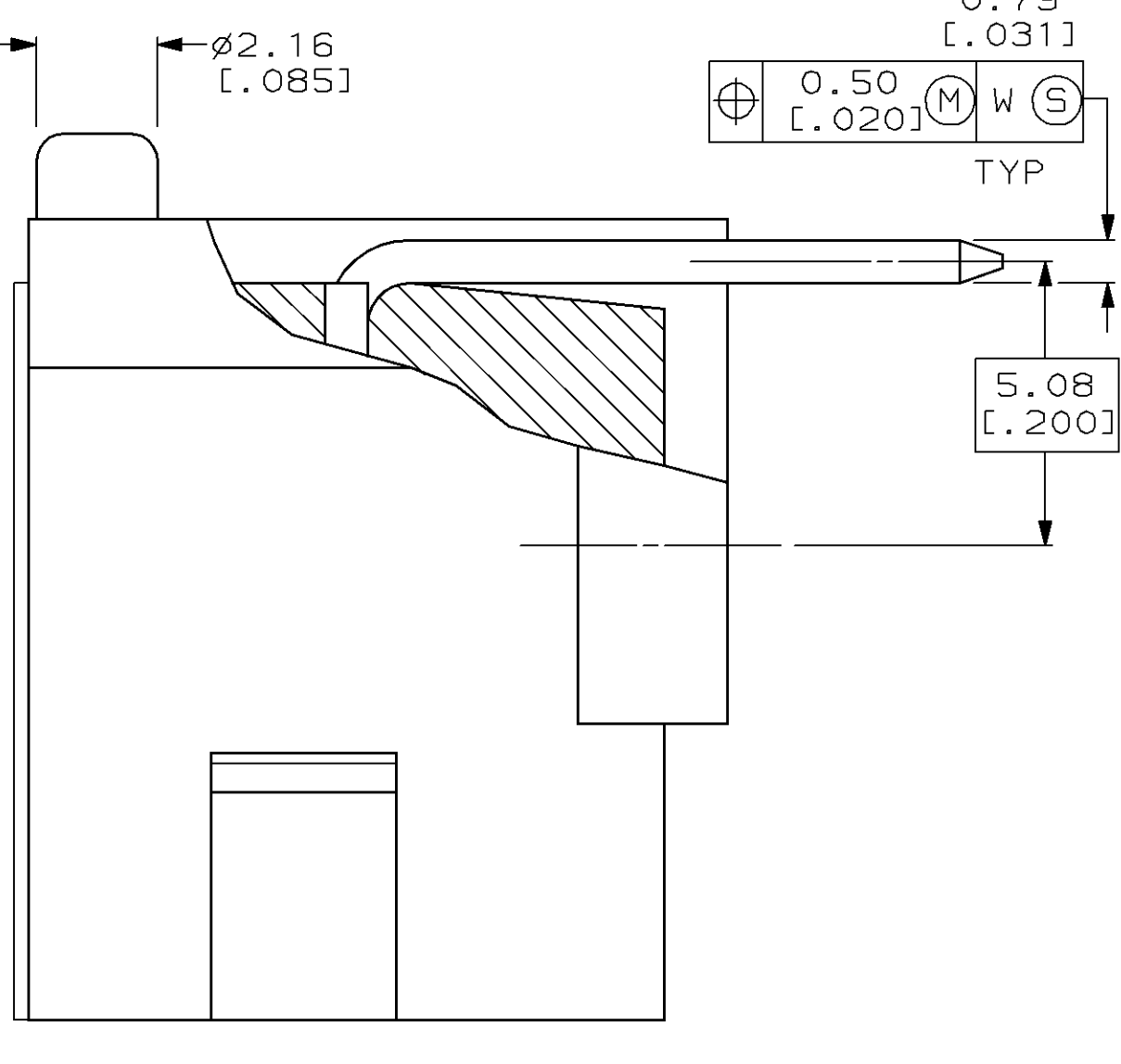
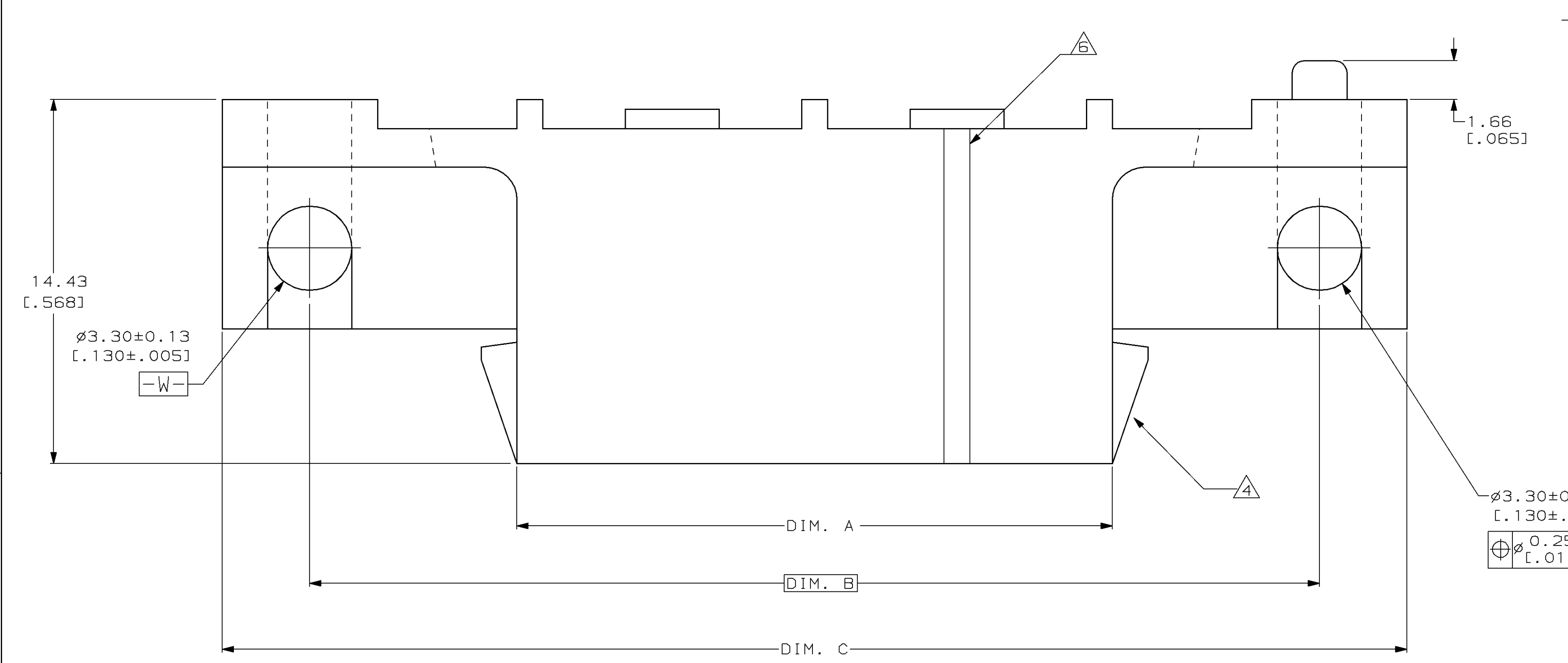
**JAMECO**<sup>®</sup>  
ELECTRONICS

**www.Jameco.com ♦ 1-800-831-4242**

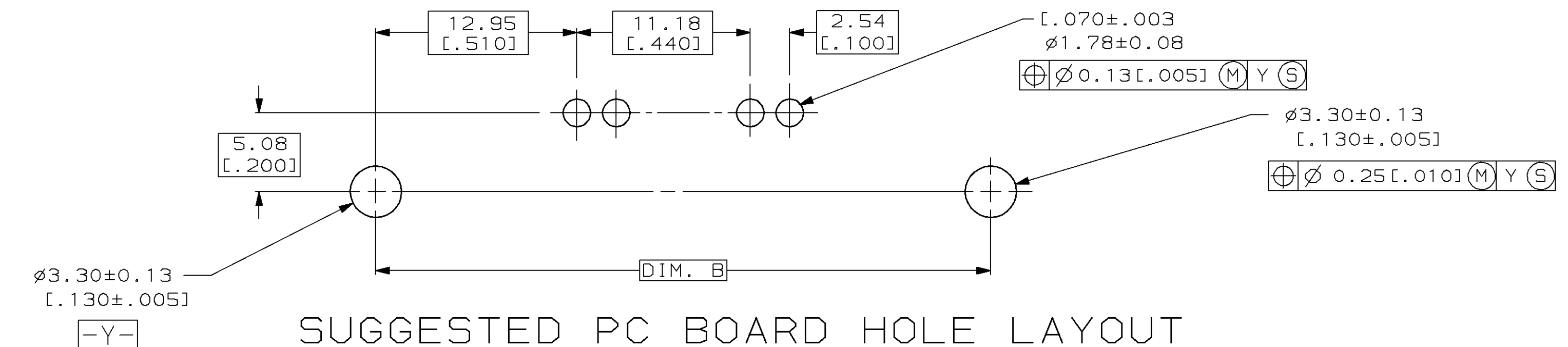
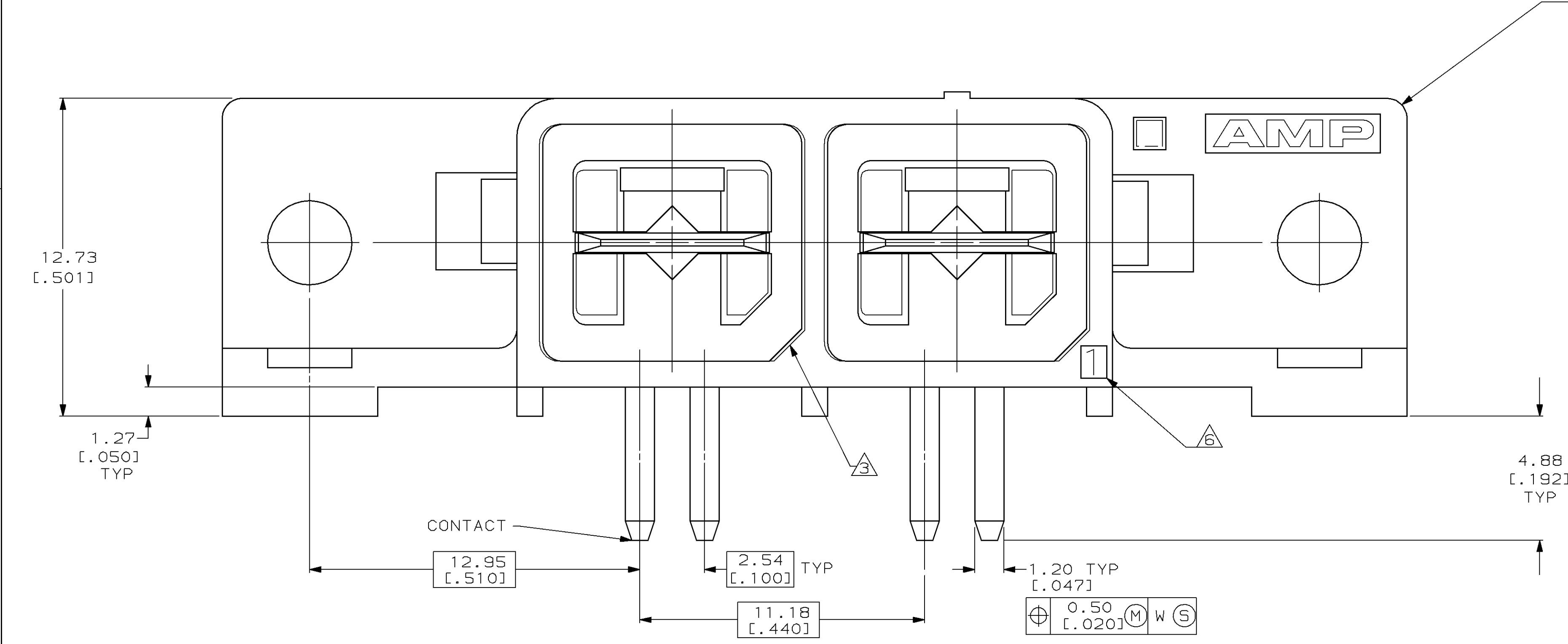
The content and copyrights of the attached  
material are the property of its owner.

Jameco Part Number 959377

LOC		DIST		REVISIONS			
FT	60	REV	DESCRIPTION	DATE	OWN	APVD	
C		REV	EC 0502-0410-96	30 JAN 97	DS	DK	
D		REV	PER EC 0320-68-97	06 MAR 97	MB	MM	



- 1 MATERIAL: HOUSING-POLYPHTHALAMINE, BLACK, 94V-0.  
CONTACT- 2.54 μm [0.00100] MINIMUM TIN PLATED COPPER.
- 2 ALL DIMENSIONS ARE MAXIMUM UNLESS OTHERWISE SPECIFIED.
- 3 POLARIZATION FEATURE TO MATING HOUSING.
- 4 POSITIVE LATCHING OF RECEPTACLE ASSEMBLY TO PLUG HOUSING.
- 5 THESE ASSEMBLIES ARE UL RECOGNIZED AND CSA CERTIFIED.
- 6 POSITION 1 INDICATOR.



POSITION	DIM. C	DIM. B	DIM. A	PART NO
8	113.67 [4.475]	106.68 [4.200]	90.56 [3.565]	556882-8
7	102.49 [4.035]	95.50 [3.760]	79.38 [3.125]	-7
6	91.32 [3.595]	84.33 [3.320]	68.20 [2.685]	-6
5	80.14 [3.155]	73.15 [2.880]	57.03 [2.245]	-5
4	68.97 [2.715]	61.98 [2.440]	45.85 [1.805]	-4
3	57.79 [2.275]	50.80 [2.000]	34.68 [1.365]	-3
2	46.61 [1.835]	39.62 [1.560]	23.50 [0.925]	556882-2

<small>THIS DRAWING IS A CONTROLLED DOCUMENT AND ITS REVISIONS ARE SUBJECT TO CHANGE AND THE CONTROLLING ENGINEERING DEPARTMENT SHALL BE CONTACTED FOR THE LATEST REVISION.</small>		DWN D. STRAUSSER 9-30-91 CHK B. FOX 9-23-91 APVD M. MILLER 9-28-91	AMP Incorporated Harrisburg, PA 17105-3508
DIMENSIONS: (INCHES (mm))	TOLERANCES UNLESS OTHERWISE SPECIFIED: 0 PLC ± 1 PLC ± 2 PLC ± 3 PLC ± 4 PLC ± ANGLES ±	NAME RECEPTACLE ASSEMBLY, RIGHT ANGLE, WTB, AMPINNERGY™ PRODUCT SPEC 108-1349 APPLICATION SPEC 114-6044	SIZE A1 CAGE CODE 00779 DRAWING NO 556882
MATERIAL	FINISH	WEIGHT	SCALE 8:1
CUSTOMER DRAWING		SHEET 1 OF 1	REV D