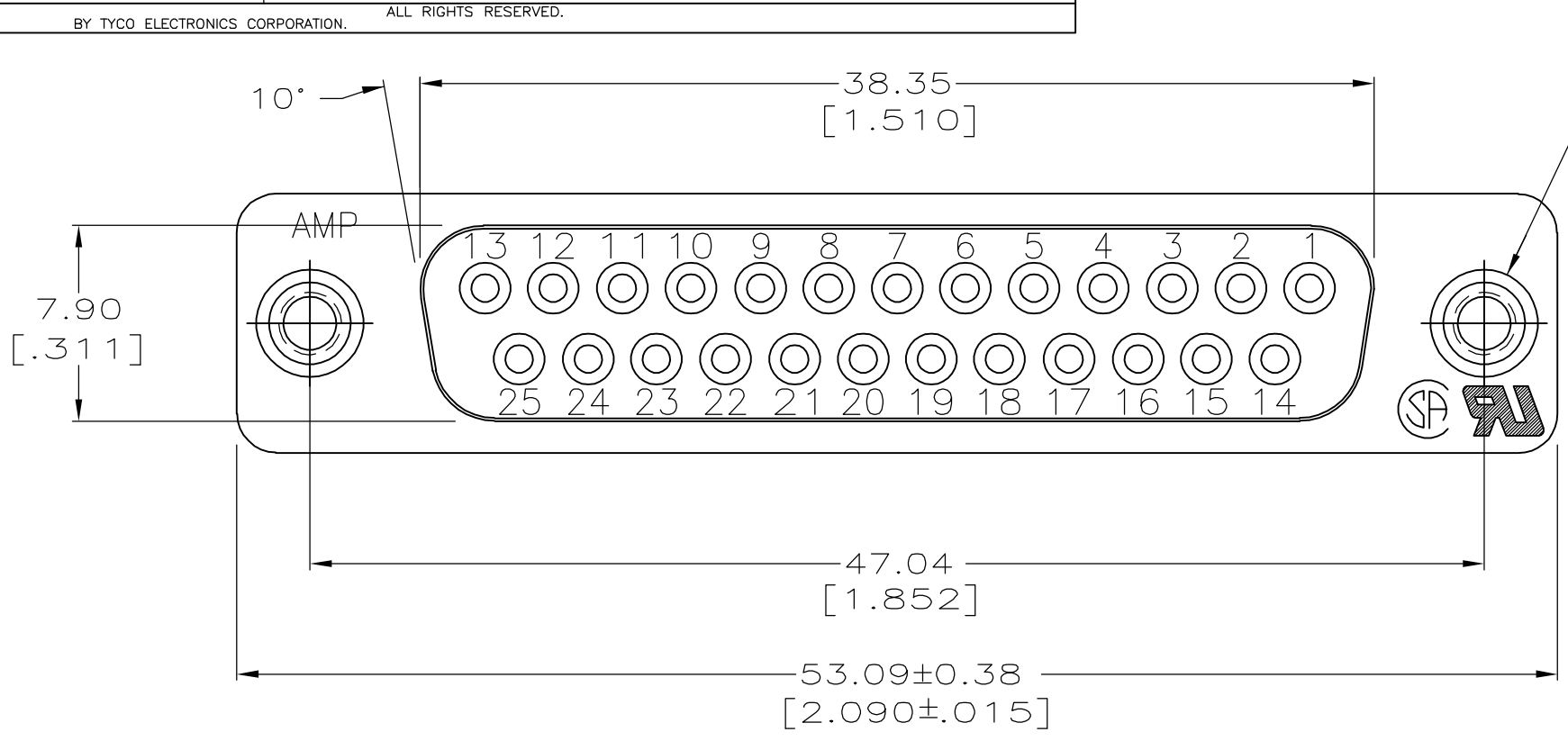
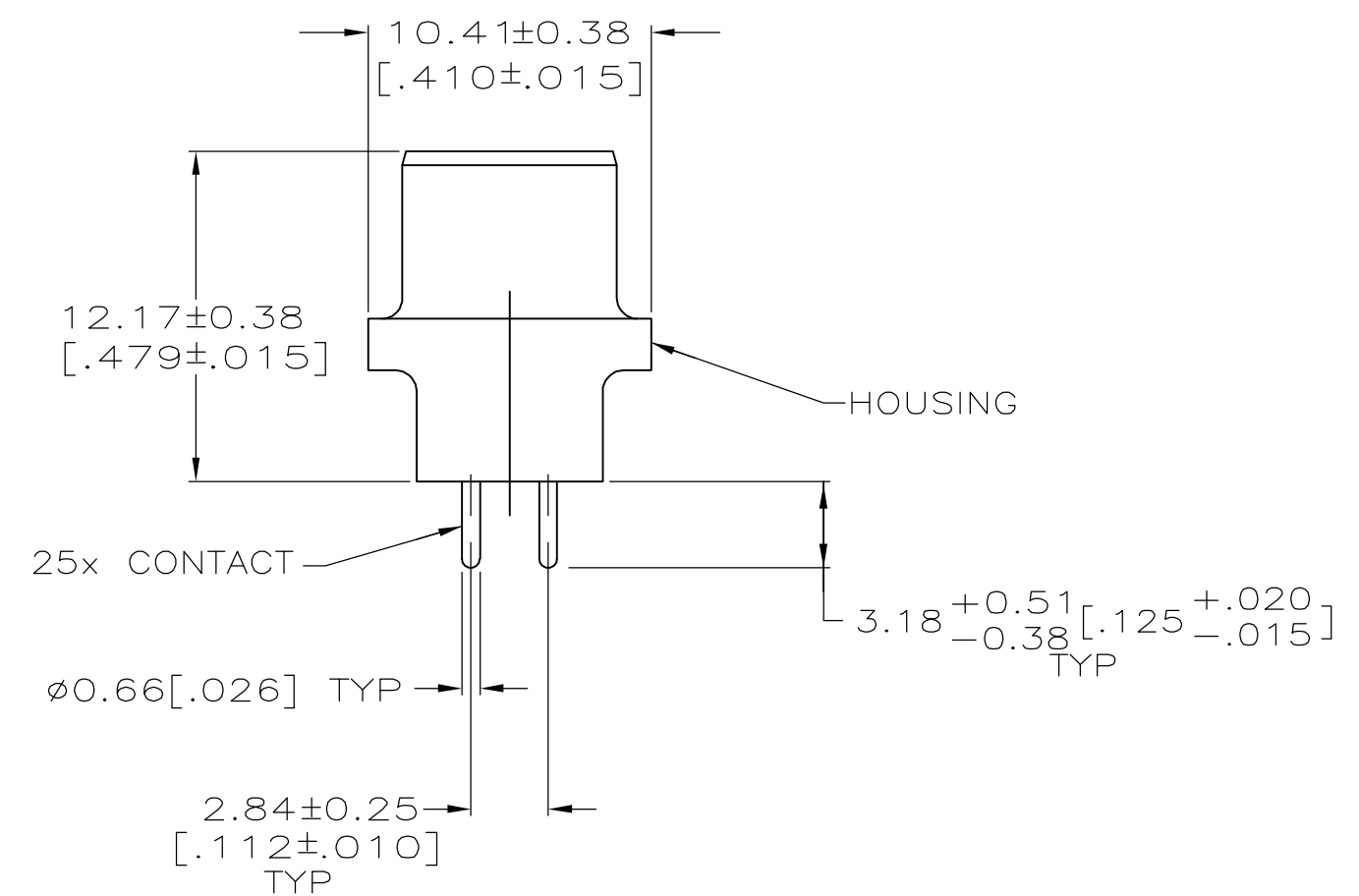
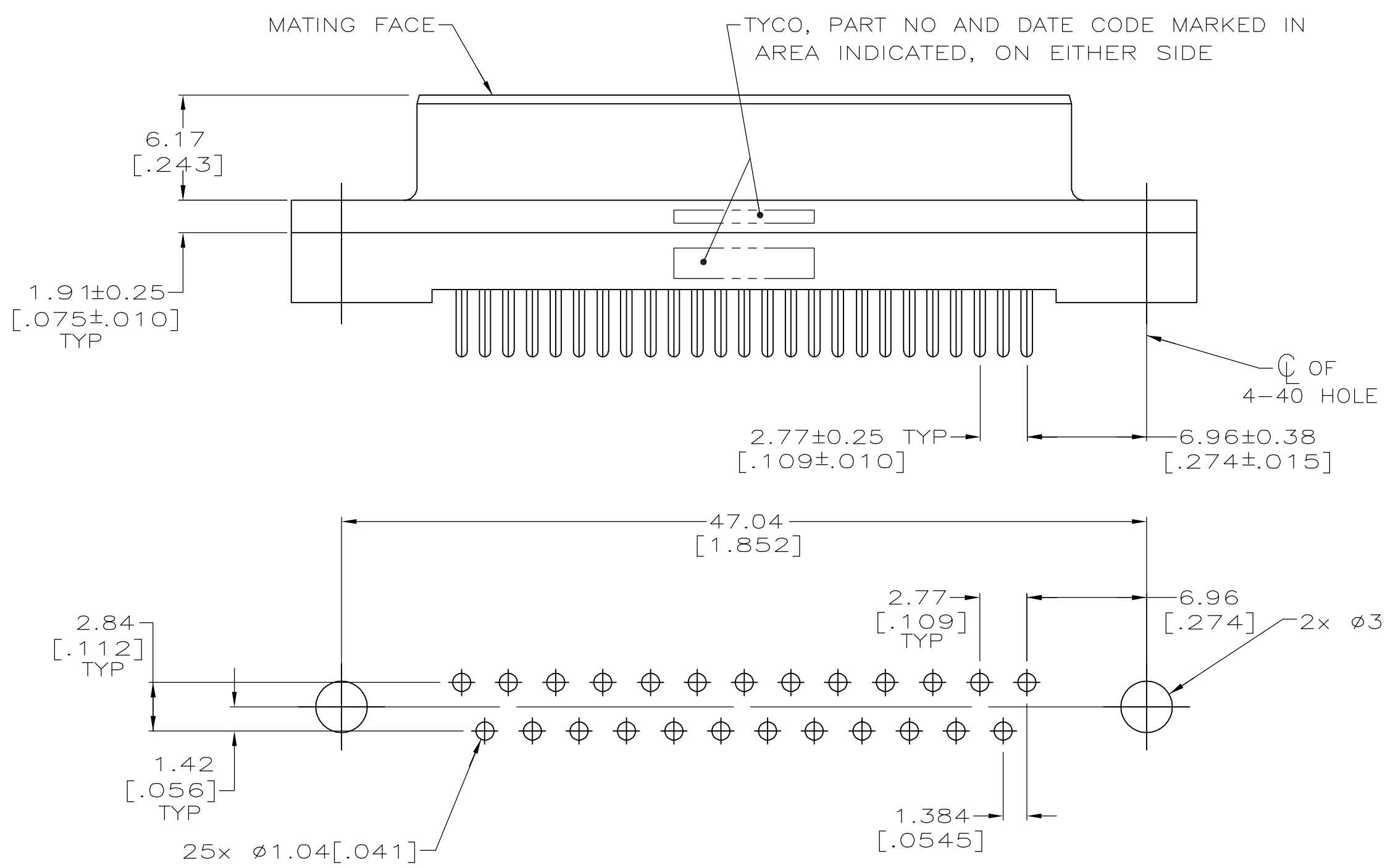


LOC	DIST	REVISIONS					
GP	00	P	LTR	DESCRIPTION	DATE	DWN	APVD
		0		RELEASED PER EC 0513-0087-05	13SEP05	GP	JG



- ① HOUSING: BLACK POLYESTER, UL 94V-0 RATED; CONTACTS: PHOSPHOR BRONZE; INSERTS: BRASS.
- ② GOLD FLASH FOR A LENGTH OF 2.54[.100] MIN FROM MATING END, 2.54 μm[.000100] MIN TIN ON OPPOSITE END, ALL OVER 1.27 μm[.000050] MIN NICKEL.
- ③ 0.76 μm[.0000030] MIN GOLD FOR A LENGTH OF 2.54[.100] MIN FROM MATING END, 2.54 μm[.000100] MIN TIN ON OPPOSITE END, ALL OVER 1.27 μm[.000050] MIN NICKEL.



RECOMMENDED PC BOARD MOUNTING DIMENSIONS

**COPYRIGHT 2005  
TYCO ELECTRONICS CORP  
ALL RIGHTS RESERVED**

③	5745058-4
②	5745058-3
CONTACT FINISH	PART NO

THIS DRAWING IS A CONTROLLED DOCUMENT.		DWN	G.PETERS	13SEP05		Tyco Electronics Corporation Harrisburg, PA 17105-3608							
DIMENSIONS: mm [INCHES]		CHK	S.BOLASH	13SEP05		RECEPTACLE ASSEMBLY, SIZE 3, 25 POSN, VERTICAL, AMPLIMITE HD-20							
TOLERANCES UNLESS OTHERWISE SPECIFIED:		APVD	M.WALMSLEY	13SEP05	NAME	108-40025							
0 PLC	± -	PRODUCT SPEC	APPLICATION SPEC			SIZE	A2	CAGE CODE	00779	DRAWING NO	5745058	RESTRICTED TO	-
1 PLC	± -	MATERIAL		FINISH	SEE TABLE	WEIGHT	-	SCALE	4:1	SHEET	1 of 1	REV	0
2 PLC	± 0.13 [0.005]	CUSTOMER DRAWING		SCALE		4:1	SHEET	1 of 1	REV	0			
3 PLC	± -												
4 PLC	± - ± 2'												