

Distributed by:

JAMECO[®]
ELECTRONICS

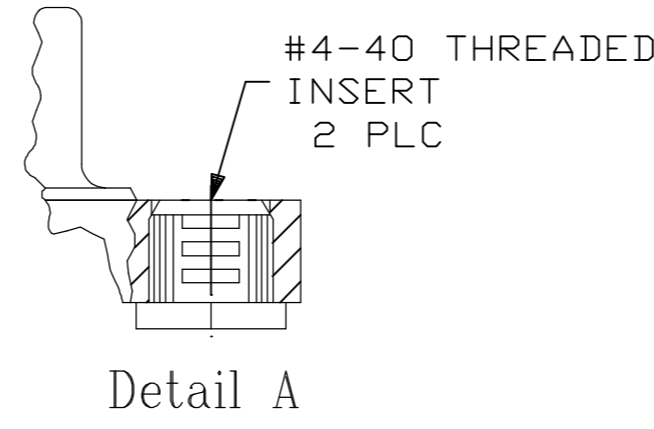
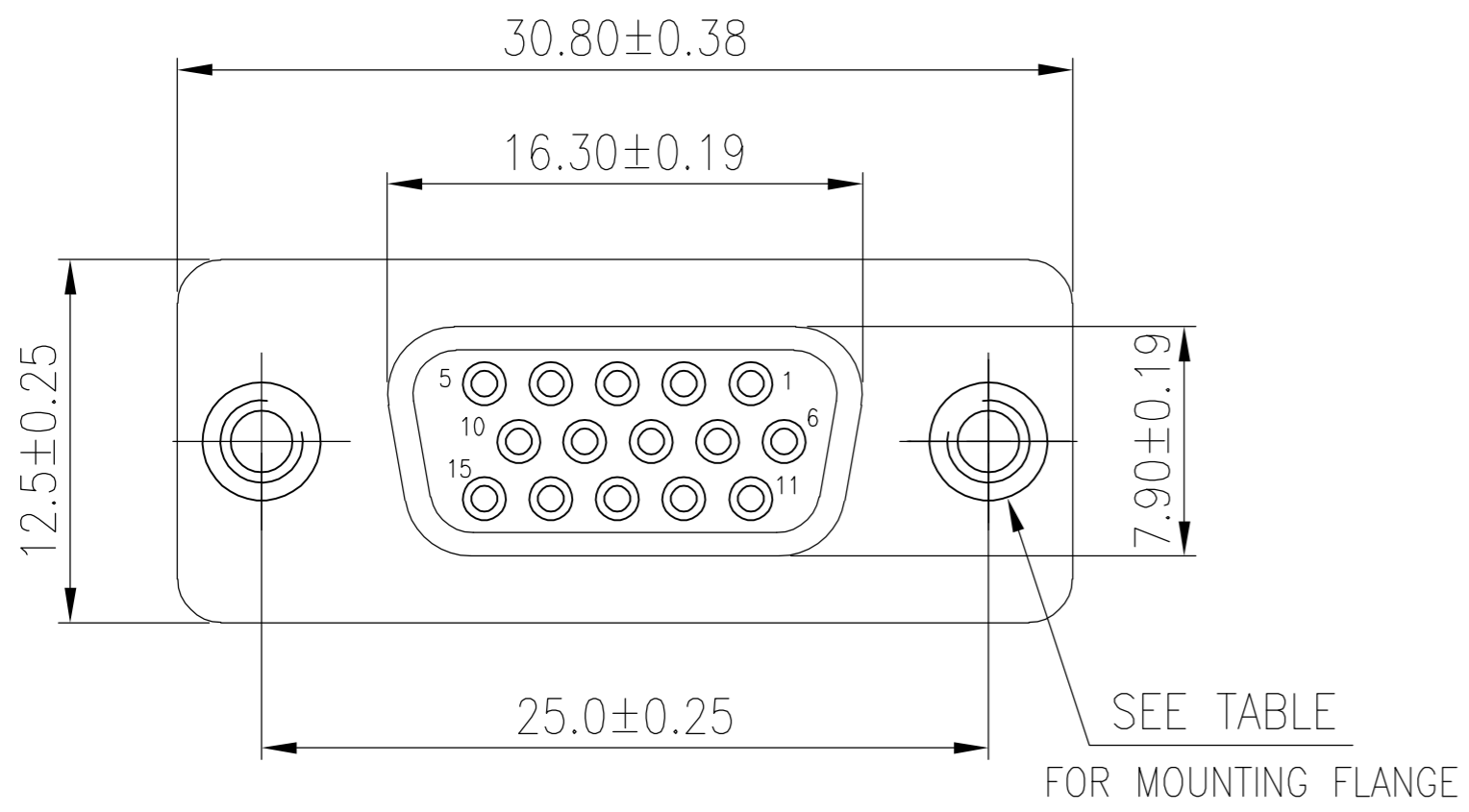
www.Jameco.com ♦ 1-800-831-4242

The content and copyrights of the attached
material are the property of its owner.

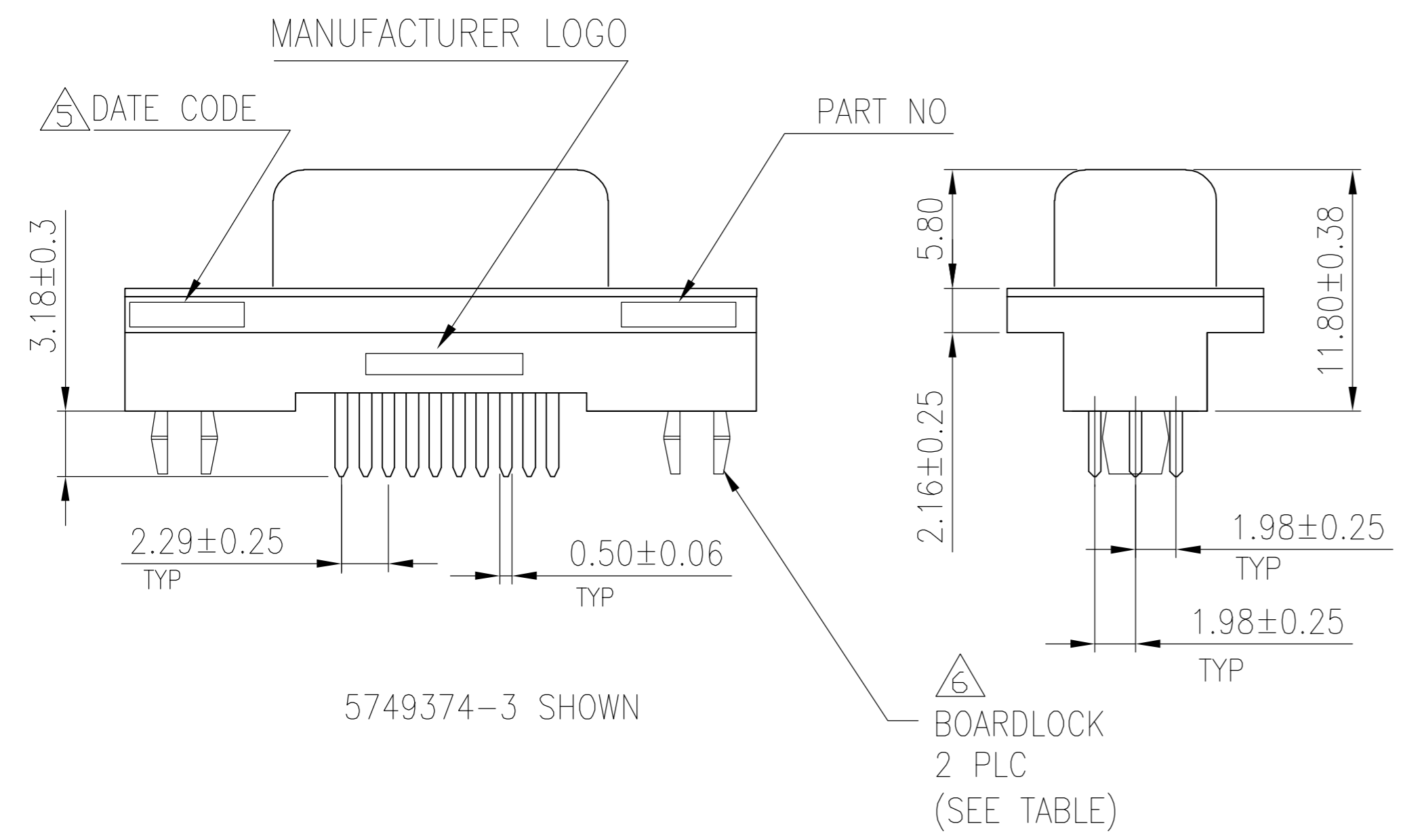
Jameco Part Number 961320

THIS DRAWING IS UNPUBLISHED. RELEASED FOR PUBLICATION
 © COPYRIGHT BY TYCO ELECTRONICS CORPORATION. ALL RIGHTS RESERVED.

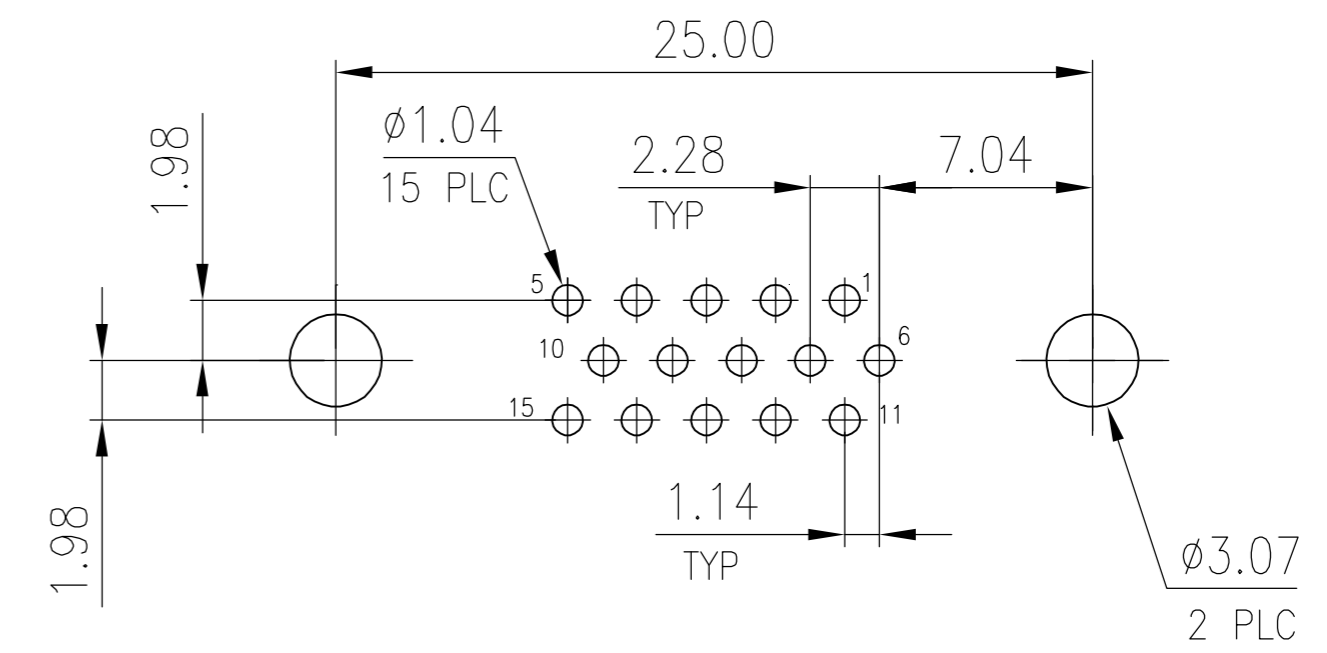
| LOC | | DIST | | REVISIONS | | | |
|-----|-----|-------------|--|---------------------------|---------|---------|--|
| P | LTR | DESCRIPTION | | DATE | DWN | APVD | |
| GP | 00 | A | | REVISED PER ECO-06-029348 | 21DEC06 | JDP/SLB | |



- HOUSING: PBT, 30% GF POLYESTER, UL 94V-0 RATED, COLOR BLACK.
 - CONTACTS: PHOSPHOR BRONZE, GOLD PLATE IN MATING AREA (SEE TABLE), 120µ" MIN TIN PLATE ON SOLDER TAIL, BOTH OVER 50µ" MIN NICKEL UNDERPLATE.
 - SHELL: STEEL, NICKEL PLATE.
 - THREADED INSERTS AND BOARDLOCKS: BRASS, 100µ" MIN TIN PLATE OVER 50µ" MIN NICKEL UNDERPLATE.
- △5 FOUR DIGIT DATE CODE IN THIS FORMAT.
 YEAR 01 45 MANUFACTURING WEEK
- △6 MAXIMUM SHAFT LENGTH OF SCREWLOCK TO ALLOW THE SCREWLOCK HEAD TO SIT FLAT ON S-SUB IS 4.70. RECOMMENDED TYCO SCREWLOCK IS 747877-3.



5749374-3 SHOWN



RECOMMENDED PCB LAYOUT

| | | | | |
|-----------|-----------|------------------------|----------------------------|--------------|
| No | Tray | Detail A | 15 µ" MIN GOLD | 5749374-7 |
| Yes | Tray | Detail A | 30 µ" MIN GOLD | △6 5749374-3 |
| No | Tray | Detail A | 30 µ" MIN GOLD | 5749374-1 |
| BOARDLOCK | Packaging | Mounting Flange Config | Contact Mating Area Finish | Part No |

| | | | | |
|--|--|--------------------------|---|--|
| THIS DRAWING IS A CONTROLLED DOCUMENT. | | DWN R.RICHARDSON 31MAY05 | tyco Tyco Electronics Corporation Harrisburg, PA 17105-3608 | |
| DIMENSIONS: mm | | CHK S.BOLASH 31MAY05 | NAME AMPLIMITE HD-22 15 POS RECEPTACLE, VERTICAL | |
| TOLERANCES UNLESS OTHERWISE SPECIFIED: | | APVD M.WALMSLEY 31MAY05 | SIZE A2 CAGE CODE 00779 DRAWING NO C=5749374 RESTRICTED TO | |
| 0 PLC ± - | | PRODUCT SPEC | SCALE 1:1 SHEET 1 of 1 REV A | |
| 1 PLC ± 0.30 | | APPLICATION SPEC | | |
| 2 PLC ± 0.20 | | WEIGHT - | | |
| 3 PLC ± 0.10 | | CUSTOMER DRAWING | | |
| 4 PLC ± - | | | | |
| ANGLES ± 2° | | | | |
| FINISH - | | | | |