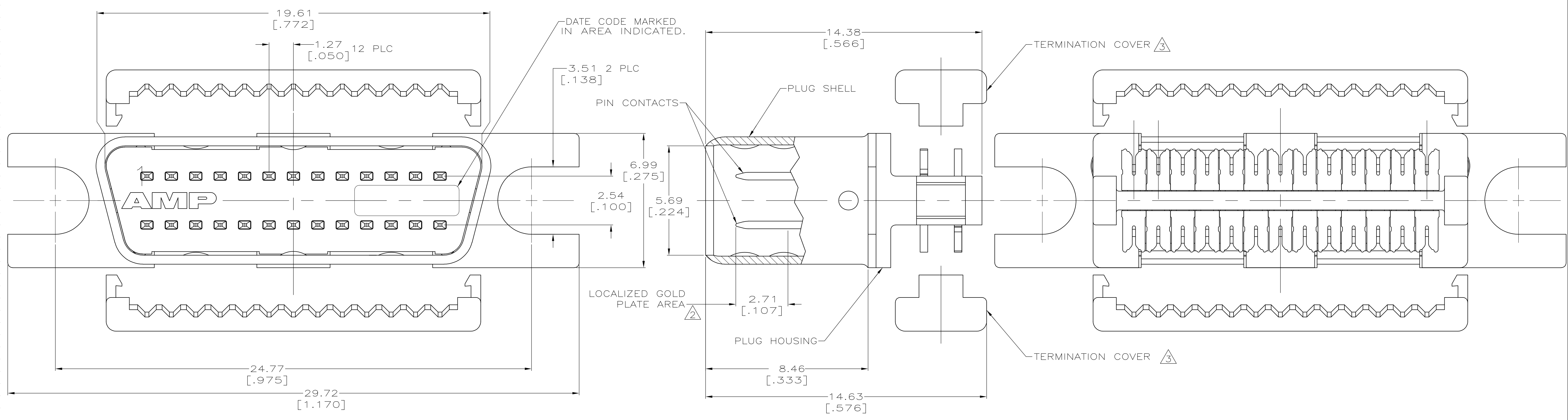
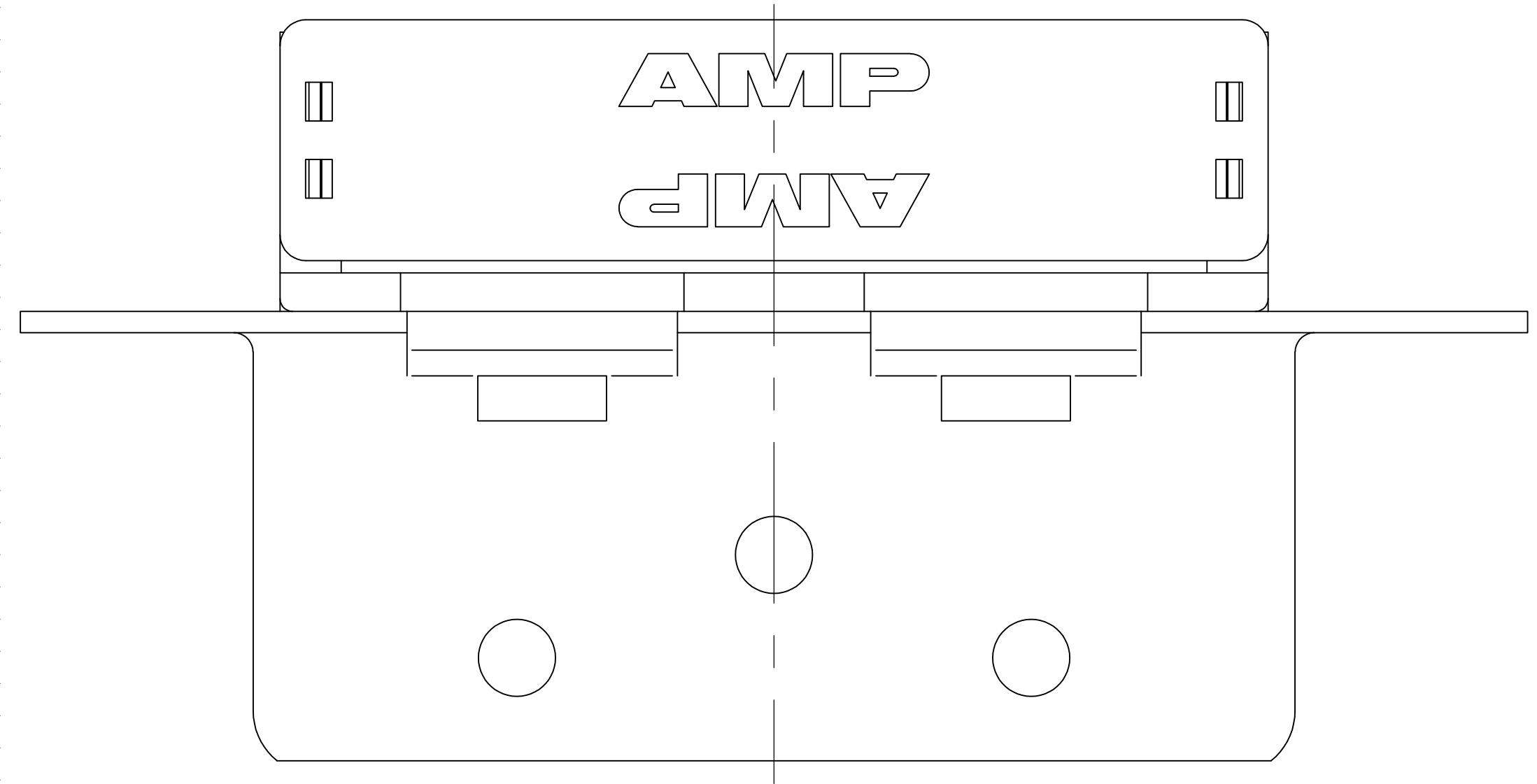


LOC		DIST		REVISIONS			
P	LTR	DESCRIPTION	DATE	OWN	APPD		
GP	00						
P		REVISED PER ECO-11-004835	11MAR11	RK	HMR		

- 1 MATERIAL:
PIN CONTACTS: PHOSPHOR BRONZE.
PLUG SHELL: STEEL.
PLUG HOUSING AND TERMINATION COVERS: UL V-O RATED POLYESTER THERMOPLASTIC, COLOR BLACK.
- 2 FINISH:
PIN CONTACTS: 0.00076 [.000030] MINIMUM GOLD PLATE IN LOCALIZED GOLD PLATE AREA, 0.00127 [.000050] MINIMUM TIN PLATE IN TERMINATION AREA, ALL OVER 0.00127 [.000050] MINIMUM NICKEL.
PLUG SHELL: 0.00508 [.000200] MINIMUM TIN PLATE OVER 0.00127 [.000050] MINIMUM COPPER.
- 3 TERMINATION COVERS ARE PACKAGED SEPARATELY.
- 4. DIMENSIONS IN BRACKETS ARE IN INCHES.
- 5. RECOMMENDED WIRE:
28 AWG- 0.81 [.032] MAX O.D. PVC OR POLYETHYLENE INSULATION.



**COPYRIGHT 2005
TE CONNECTIVITY CORP
ALL RIGHTS RESERVED**

5750833-1
PART NO

THIS DRAWING IS A CONTROLLED DOCUMENT.		OWN L. VARELA - DOCKS 02-23-05	NAME	PLUG KIT, CABLE CONNECTOR, 26 POSITION, SLIMLINE, AMPLITUDE .050 Series																			
DIMENSIONS: mm(INCHES)		CHK S. SHUEY 02-23-05	PRODUCT SPEC																				
TOLERANCES UNLESS OTHERWISE SPECIFIED:		APVD M. WALMSLEY 02-23-05	APPLICATION SPEC	RESTRICTED TO																			
<table border="1"> <tr> <td>0 PLC</td> <td>±</td> <td>-</td> </tr> <tr> <td>1 PLC</td> <td>±</td> <td>-</td> </tr> <tr> <td>2 PLC</td> <td>±</td> <td>0.13 [005]</td> </tr> <tr> <td>3 PLC</td> <td>±</td> <td>-</td> </tr> <tr> <td>4 PLC</td> <td>±</td> <td>-</td> </tr> <tr> <td>ANGLES</td> <td>±</td> <td>-</td> </tr> </table>		0 PLC	±	-	1 PLC	±	-	2 PLC	±	0.13 [005]	3 PLC	±	-	4 PLC	±	-	ANGLES	±	-	WEIGHT	SIZE	CAGE CODE	DRAWING NO
0 PLC	±	-																					
1 PLC	±	-																					
2 PLC	±	0.13 [005]																					
3 PLC	±	-																					
4 PLC	±	-																					
ANGLES	±	-																					
MATERIAL	FINISH	CUSTOMER DRAWING	A1	00779	C=5750833																		
SCALE		SHEET		REV																			
4:1		1 OF 1		P																			