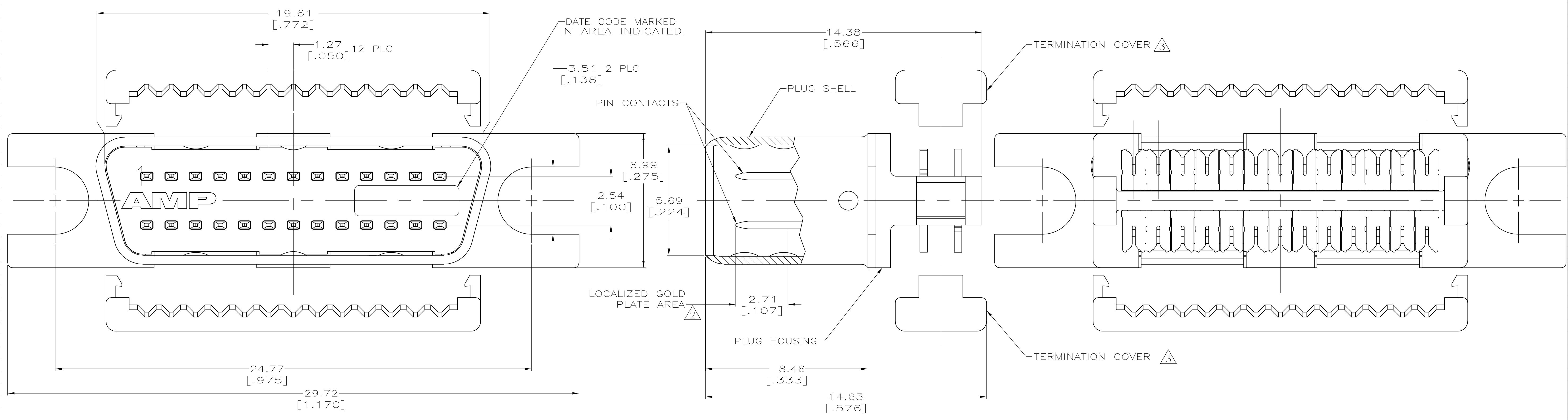
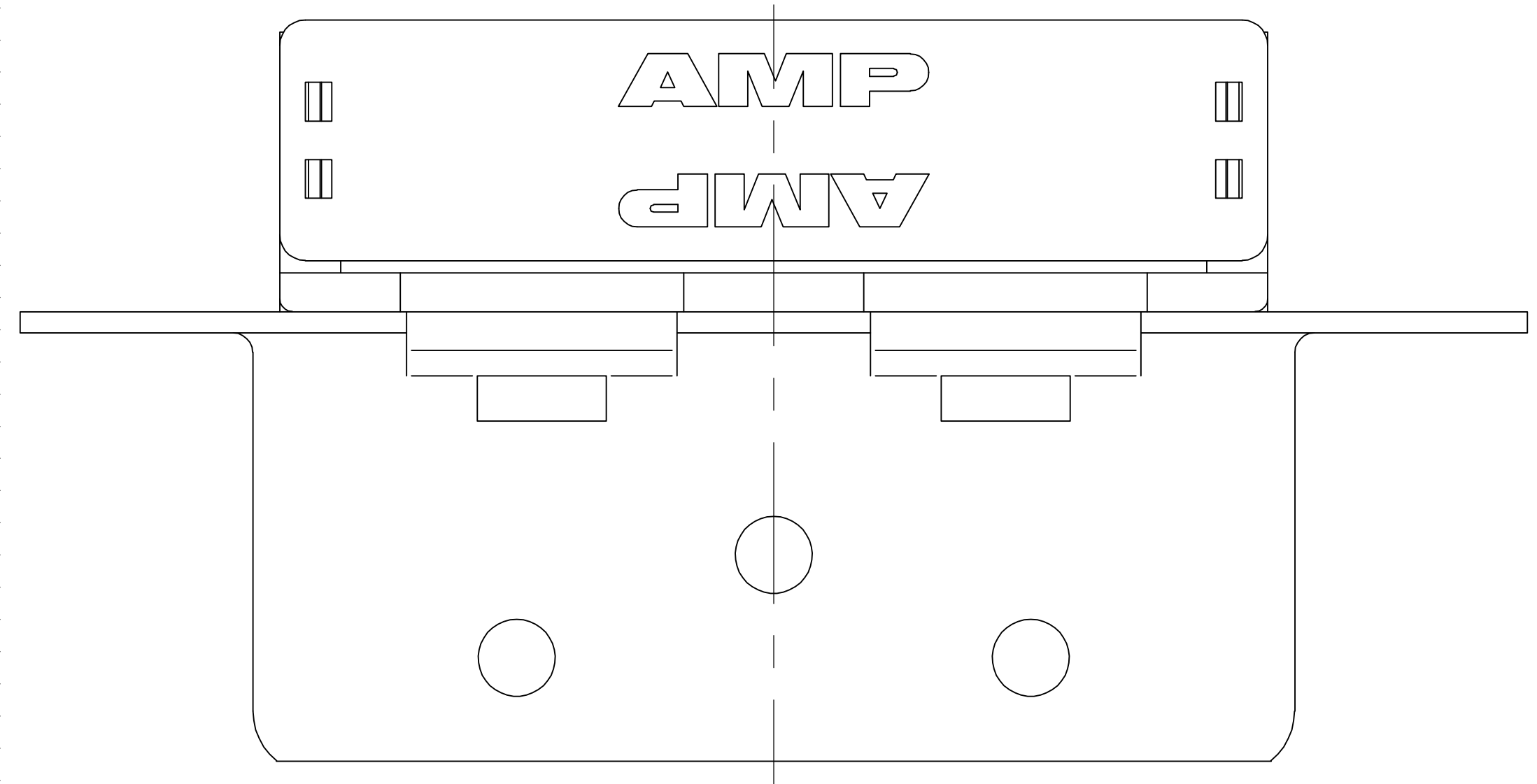


LOC		DIST		REVISIONS			
P	LTR	DATE	DWN	APPD			
GP	00	0	0	02-23-05	LV	JG	
				DESCRIPTION			
				RELEASED PER EC 0513-0684-04			

- 1 MATERIAL:  
 PIN CONTACTS: PHOSPHOR BRONZE.  
 PLUG SHELL: STEEL.  
 PLUG HOUSING AND TERMINATION COVERS: UL V-O RATED POLYESTER THERMOPLASTIC, COLOR BLACK.
- 2 FINISH:  
 PIN CONTACTS: 0.00076 [.000030] MINIMUM GOLD PLATE IN LOCALIZED GOLD PLATE AREA, 0.00127 [.000050] MINIMUM TIN PLATE IN TERMINATION AREA, ALL OVER 0.00127 [.000050] MINIMUM NICKEL.  
 PLUG SHELL: 0.00508 [.000200] MINIMUM TIN PLATE OVER 0.00127 [.000050] MINIMUM COPPER.
- 3 TERMINATION COVERS ARE PACKAGED SEPARATELY.
- 4. DIMENSIONS IN BRACKETS ARE IN INCHES.
- 5. RECOMMENDED WIRE:  
 28 AWG- 0.81 [.032] MAX O.D. PVC OR POLYETHYLENE INSULATION.



**COPYRIGHT 2005  
 TYCO ELECTRONICS CORP  
 ALL RIGHTS RESERVED**

THIS DRAWING IS A CONTROLLED DOCUMENT.		DWN L. VARELA - DOCK5 02-23-05	5750833-1 PART NO
DIMENSIONS: mm[INCHES]		CHK S. SHUEY 02-23-05	Tyco Electronics Corporation Harrisburg, Pa 17105-3608
TOLERANCES UNLESS OTHERWISE SPECIFIED:		APVD M. WALMSLEY 02-23-05	PLUG KIT, CABLE CONNECTOR, 26 POSITION, SLIMLINE, AMPLITUDE .050 Series
0 PLC ± -	1 PLC ± -	PRODUCT SPEC	
2 PLC ± 0.13 [.005]	3 PLC ± -	APPLICATION SPEC	
4 PLC ± -	ANGLES ± -	WEIGHT	
MATERIAL	FINISH	CUSTOMER DRAWING	RESTRICTED TO
		SCALE 4:1	SHEET 1 OF 1 REV 0

**OBsolete**  
**NOT THE LATEST REVISION**