

5750833-1 Product Details

[Share](#) [Print](#) [Email](#)



5750833-1

TE Internal Number: 5750833-1

Pending Obsolescence

[Search for Replacement Parts](#)

[View 3D PDF](#)

.050 Series Cable Connectors (SCSI)

Always EU RoHS/ELV Compliant
(Statement of Compliance)

Product Highlights:

- Connector
- Connector Style = Plug
- 26 Positions
- Wire/Cable Type = Round Jacketed Cable
- Applies To Cable

[View all Features](#)

Quick Links

- ▶ [Pricing & Availability](#)
- ▶ [Search for Tooling](#)
- ▶ [Product Feature Selector](#)
- ▶ [Contact Us About This Product](#)

[Add to My Part List](#)

[Request Sample](#)

[Find Similar Products](#)

[Buy Product](#)

Documentation & Additional Information

Product Drawings:

- [PLUG KIT,CABLE CONNECTOR,26 POSITION, SLIMLINE, AMPL... \(PDF, English\)](#)

Catalog Pages/Data Sheets:

- None Available

Product Specifications:

- [Connector, FPC, 1 mm \(PDF, English\)](#)

Application Specifications:

- None Available

Instruction Sheets:

- [Manual Arbor Frame Assembly 58024-1 \(PDF, English\)](#)
- [Manual Arbor Frame Assembly 91085-2 \(PDF, English\)](#)
- [Repair Tool 58430-1 for AMPLIMITE .050 Series Connectors \(PDF, English\)](#)
- [Hand Crimping Tool Frame Assembly 543344-1 \(Used to ... \(PDF, English\)](#)
- [Installation and Use of Mass Termination Tooling \(PDF, English\)](#)
- [Tooling Kit \(PDF, English\)](#)
- [Die Holder Assemblies 58449-1, -2, and -3 \(PDF, English\)](#)
- [AMPLIMITE .050 Series Crimper Assembly 856684-1 \(PDF, English\)](#)
- [Die Assembly 90437-1 \(PDF, English\)](#)

CAD Files: (CAD Format & Compression Information)

- [2D Drawing \(DXF, Version 0\)](#)
- [3D Model \(IGES, Version 0\)](#)
- [3D Model \(STEP, Version 0\)](#)

[List all Documents](#)

Related Products:

- [Tooling](#)

Product Features (Please use the Product Drawing for all design activity)

Product Type Features:

- [Product Type](#) = Connector
- [Wire/Cable Type](#) = Round Jacketed Cable
- [Mating Connector Lock](#) = Without
- [Detent](#) = Without
- [Rails](#) = Without
- [Termination Cover](#) = With

Contact Features:

- [Contact Base Material](#) = Phosphor Bronze
- [Contact Plating, Mating Area, Material](#) = Gold (30)
- [Solder Tail Contact Plating](#) = Tin over Nickel

Housing Features:

- [Connector Style](#) = Plug

- [Product Series](#) = Slimline
- Color = Black

Mechanical Attachment:

- [Panel Mount Retention](#) = Without

Termination Features:

- Termination Method to Wire/Cable = Insulation Displacement Crimp (IDC)

Body Features:

- Wire Range (mm [AWG]) = 0.08-0.09² [28]
- Shell Material = Steel
- Shell Plating = Tin over Copper
- Bracket Material = Zinc
- Bracket Plating = Nickel over Copper

- Housing Material = Thermoplastic - GF
- UL Flammability Rating = UL 94V-0

Configuration Features:

- Number of Positions = 26
- [Shielded](#) = Yes

Industry Standards:

- [RoHS/ELV Compliance](#) = RoHS compliant, ELV compliant
- [Lead Free Solder Processes](#) = Not relevant for lead free process
- RoHS/ELV Compliance History = Always was RoHS compliant

Conditions for Usage:

- Applies To = Cable

Other:

- Brand = AMP
- Comment = Cable Connectors must be used with Backshell Kits

Corporate Information

- [About TE](#)
- [Investors](#)
- [News Room](#)
- [Supplier Portal](#)
- [Careers](#)
- [Terms & Conditions](#)
- [Privacy Policy](#)

Quick Links

- [Distributor Inventory](#)
- [Product Cross Reference](#)
- [Documents & Drawings](#)
- [Product Compliance Support Center](#)
- [Site Map](#)

Customer Support

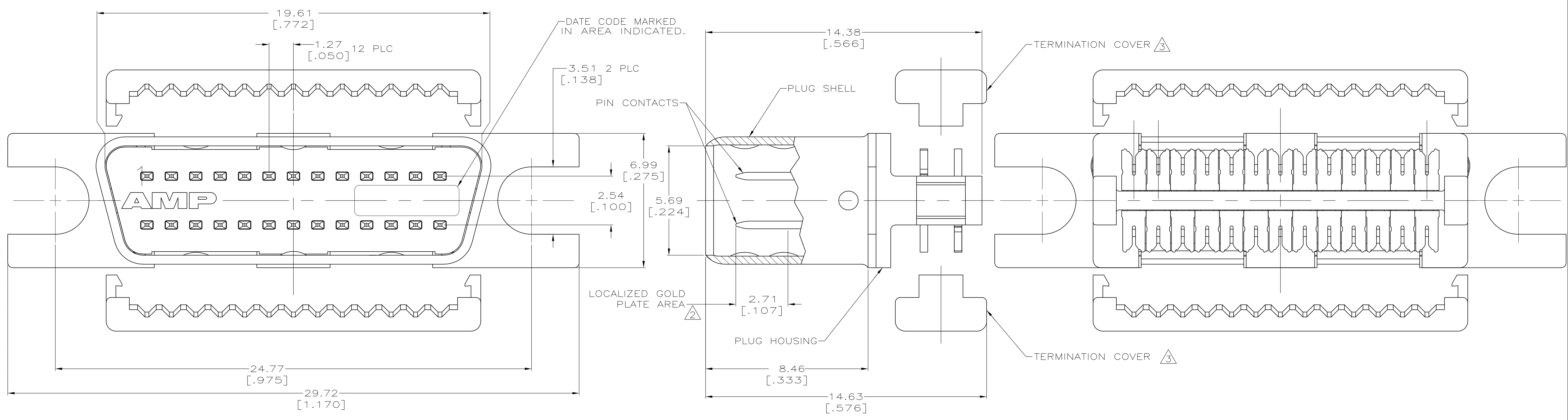
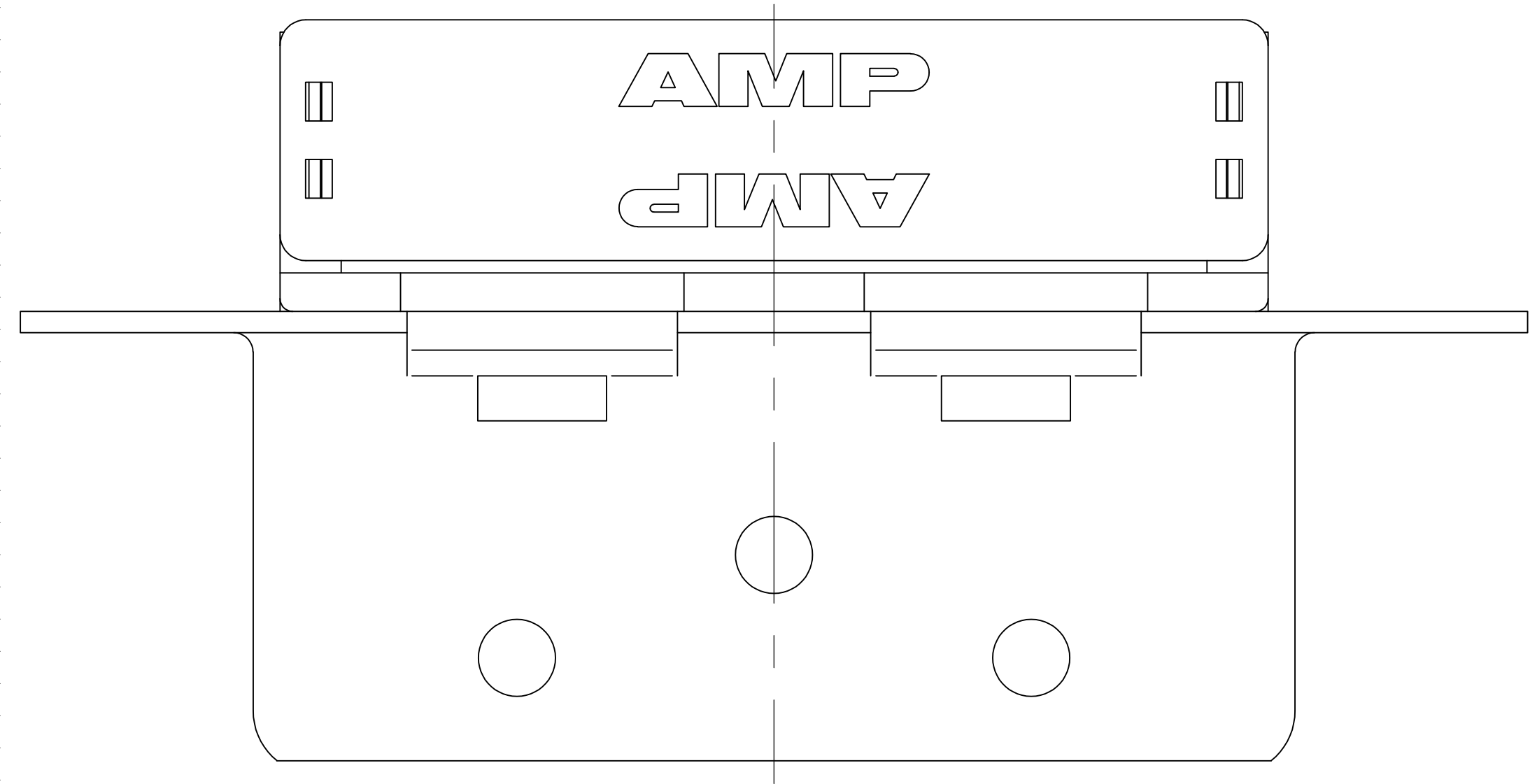
- [Email or Chat With Us](#)
- [Find a Phone Number](#)
- [Knowledge Base](#)
- [Manage Your Account](#)

Keep Me Informed



LOC		DIST		REVISIONS			
P	LTR	DESCRIPTION	DATE	OWN	APPD		
GP	00						
P		REVISED PER ECO-11-004835	11MAR11	RK	HMR		

- 1 MATERIAL:
PIN CONTACTS: PHOSPHOR BRONZE.
PLUG SHELL: STEEL.
PLUG HOUSING AND TERMINATION COVERS: UL V-O RATED POLYESTER THERMOPLASTIC, COLOR BLACK.
- 2 FINISH:
PIN CONTACTS: 0.00076 [.000030] MINIMUM GOLD PLATE IN LOCALIZED GOLD PLATE AREA, 0.00127 [.000050] MINIMUM TIN PLATE IN TERMINATION AREA, ALL OVER 0.00127 [.000050] MINIMUM NICKEL.
PLUG SHELL: 0.00508 [.000200] MINIMUM TIN PLATE OVER 0.00127 [.000050] MINIMUM COPPER.
- 3 TERMINATION COVERS ARE PACKAGED SEPARATELY.
- 4. DIMENSIONS IN BRACKETS ARE IN INCHES.
- 5. RECOMMENDED WIRE:
28 AWG- 0.81 [.032] MAX O.D. PVC OR POLYETHYLENE INSULATION.



**COPYRIGHT 2005
TE CONNECTIVITY CORP
ALL RIGHTS RESERVED**

THIS DRAWING IS A CONTROLLED DOCUMENT.		OWN: L. VARELA - DOCKS 02-23-05	5750833-1
		CHK: S. SHUEY 02-23-05	PART NO
		APVD: M. WALMSLEY 02-23-05	STE TE Connectivity
DIMENSIONS: mm(INCHES)		NAME: PLUG KIT,CABLE CONNECTOR,26 POSITION, SLIMLINE, AMPLITUDE .050 Series	
TOLERANCES UNLESS OTHERWISE SPECIFIED:		PRODUCT SPEC: -	
0 PLC ± -		APPLICATION SPEC: -	
2 PLC ± 0.13 [.005]		WEIGHT: -	
3 PLC ± -		SIZE: A1	
4 PLC ± -		CAGE CODE: 00779	
ANGLES ± -		DRAWING NO: C=5750833	
MATERIAL: △	FINISH: △	CUSTOMER DRAWING	RESTRICTED TO: -
		SCALE: 4:1	SHEET 1 OF 1
			REV P