



Have a Question?
 Chat with a Product
 Information Specialist

What can we help you find?

[Products](#) |
 [Industries](#) |
 [Resources](#) |
 [About TE](#) |
 [My Account](#) |
 [Innovation](#) |
 [Support Center](#)

5786090-7 Product Details

[Share](#) |
 [Print](#) |
 [Email](#)



5786090-7

TE Internal Number: 5786090-7

Active

[View 3D PDF](#)

.050 Series Cable Connectors (SCSI)

Always EU RoHS/ELV Compliant (Statement of Compliance)

Product Highlights:

- Connector
- Connector Style = Plug
- 68 Positions
- Wire/Cable Type = Ribbon Cable
- Applies To Cable

[View all Features](#)

Quick Links

- ▶ [Pricing & Availability](#)
- ▶ [Search for Tooling](#)
- ▶ [Product Feature Selector](#)
- ▶ [Contact Us About This Product](#)

[Add to My Part List](#) |
 [Request Sample](#) |
 [Find Similar Products](#) |
 [Buy Product](#)

Documentation & Additional Information

Product Drawings:

- [PLUG ASSEMBLY, UNSHIELDED, 0.635\[.025\] CENTERLINE, ... \(PDF, English\)](#)

Catalog Pages/Data Sheets:

- [AMPLIMITE Subminiature D Connectors - .050 Series Co... \(PDF, English\)](#)

Product Specifications:

- [Connector, AMPLIMITE, Shielded, .050 Series \(PDF, English\)](#)
- [Connector, AMPLIMITE*, .050 Series, .025 Inch Centerline \(PDF, English\)](#)

Application Specifications:

- [AMPLIMITE .050 Series Cable End Insulation Displacem... \(PDF, English\)](#)
- [AMPLIMITE .050 Series Feed-Through Connectors for 0.... \(PDF, English\)](#)

Instruction Sheets:

- [Manual Arbor Frame Assembly 58024-1 \(PDF, English\)](#)
- [Repair Tool 58430-1 for AMPLIMITE .050 Series Connectors \(PDF, English\)](#)
- [AMPLIMITE .050 Series Connectors \(Round-to-Flat Cable\) \(PDF, English\)](#)
- [Installation and Use of Mass Termination Tooling \(PDF, English\)](#)
- [Cover Lacing Fixture 91293-1 for AMPLIMITE .050 Seri... \(PDF, English\)](#)
- [Manual Miniature Applicator Frame Assembly 91295-1 \(PDF, English\)](#)
- [Cover Closing Kits 543508-1 and 543526-1 and Staple ... \(PDF, English\)](#)
- [Tooling Kit 768900-1 \(PDF, English\)](#)

CAD Files: (CAD Format & Compression Information)

- [2D Drawing \(DXF, Version 01\)](#)
- [3D Model \(IGES, Version 01\)](#)
- [3D Model \(STEP, Version 01\)](#)

[List all Documents](#)

Related Products:

- [Tooling](#)

Product Features (Please use the Product Drawing for all design activity)

Product Type Features:

- Product Type = Connector
- Wire/Cable Type = Ribbon Cable
- Mating Connector Lock = Without
- Detent = Without
- Rails = Without
- Termination Cover = With
- Product Series = Series III
- Termination Method to Wire/Cable = Insulation Displacement Crimp (IDC)
- Color = Black

Mechanical Attachment:

- Panel Mount Retention = Without

Electrical Characteristics:

- Shielded = No

Termination Features:

- Solder Tail Contact Plating = Tin over Nickel

Body Features:

- Ribbon Cable Centerline Spacing (mm [in]) = 0.64 [0.025]
- Wire Range (mm [AWG]) = 0.05² [30]
- Termination Cover Color = Black

Contact Features:

- Contact Base Material = Phosphor Bronze
- Contact Plating, Mating Area, Material = Gold (30)

Housing Features:

- Connector Style = Plug
- Housing Material = PBT - GF
- UL Flammability Rating = UL 94V-0

Configuration Features:

- Number of Positions = 68

Industry Standards:

- [RoHS/ELV Compliance](#) = RoHS compliant, ELV compliant
- [Lead Free Solder Processes](#) = Not relevant for lead free process
- RoHS/ELV Compliance History = Always was RoHS compliant

Conditions for Usage:

- Applies To = Cable

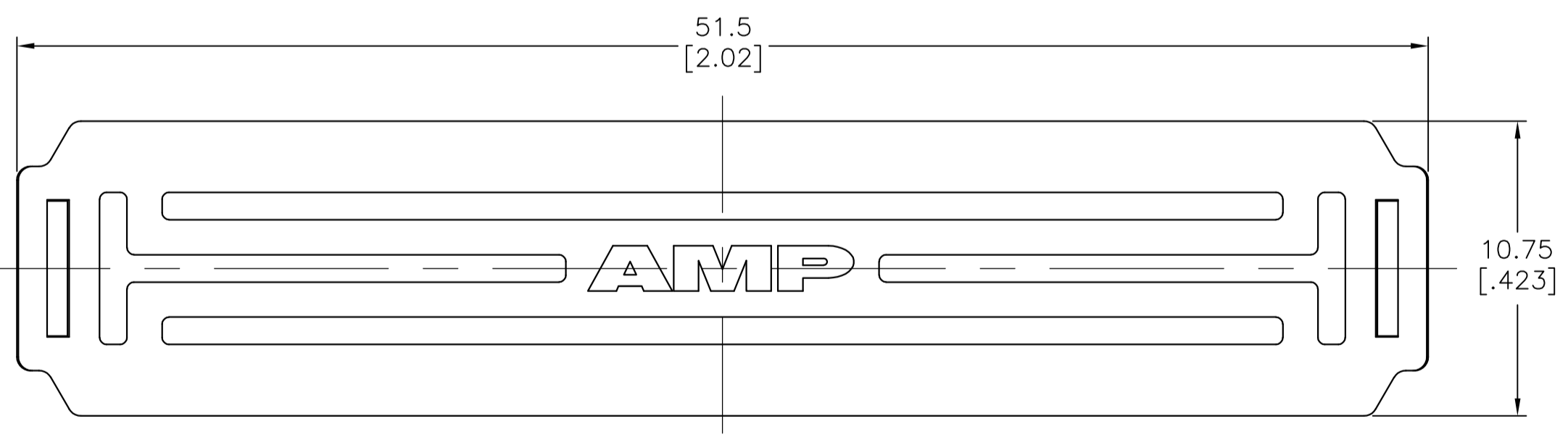
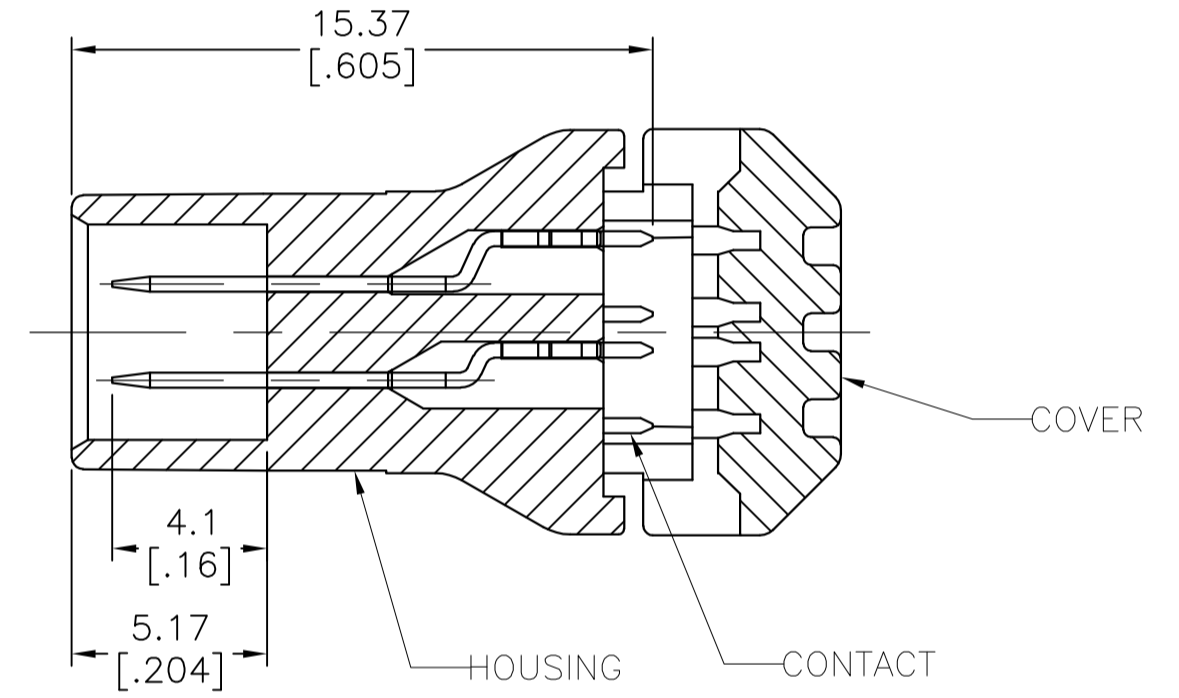
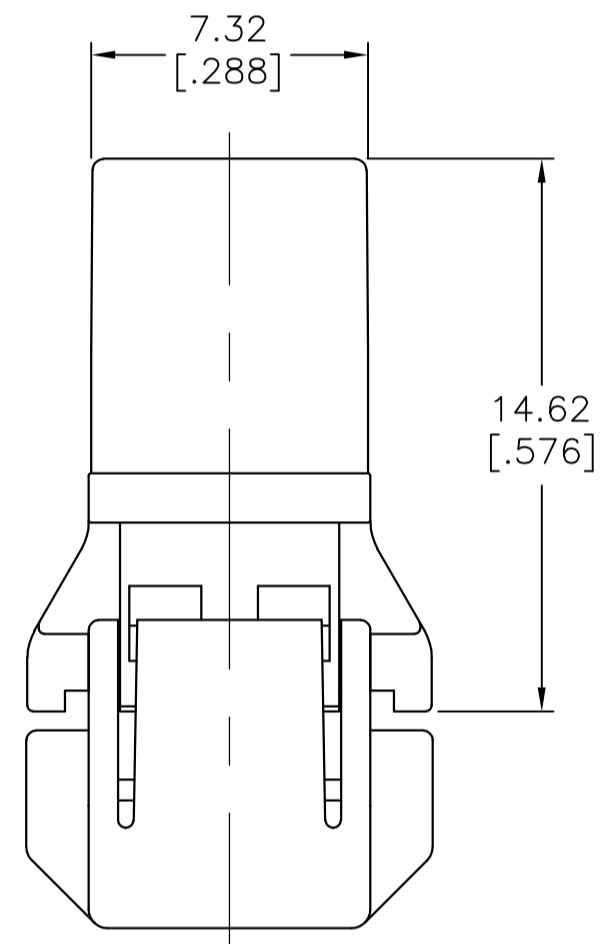
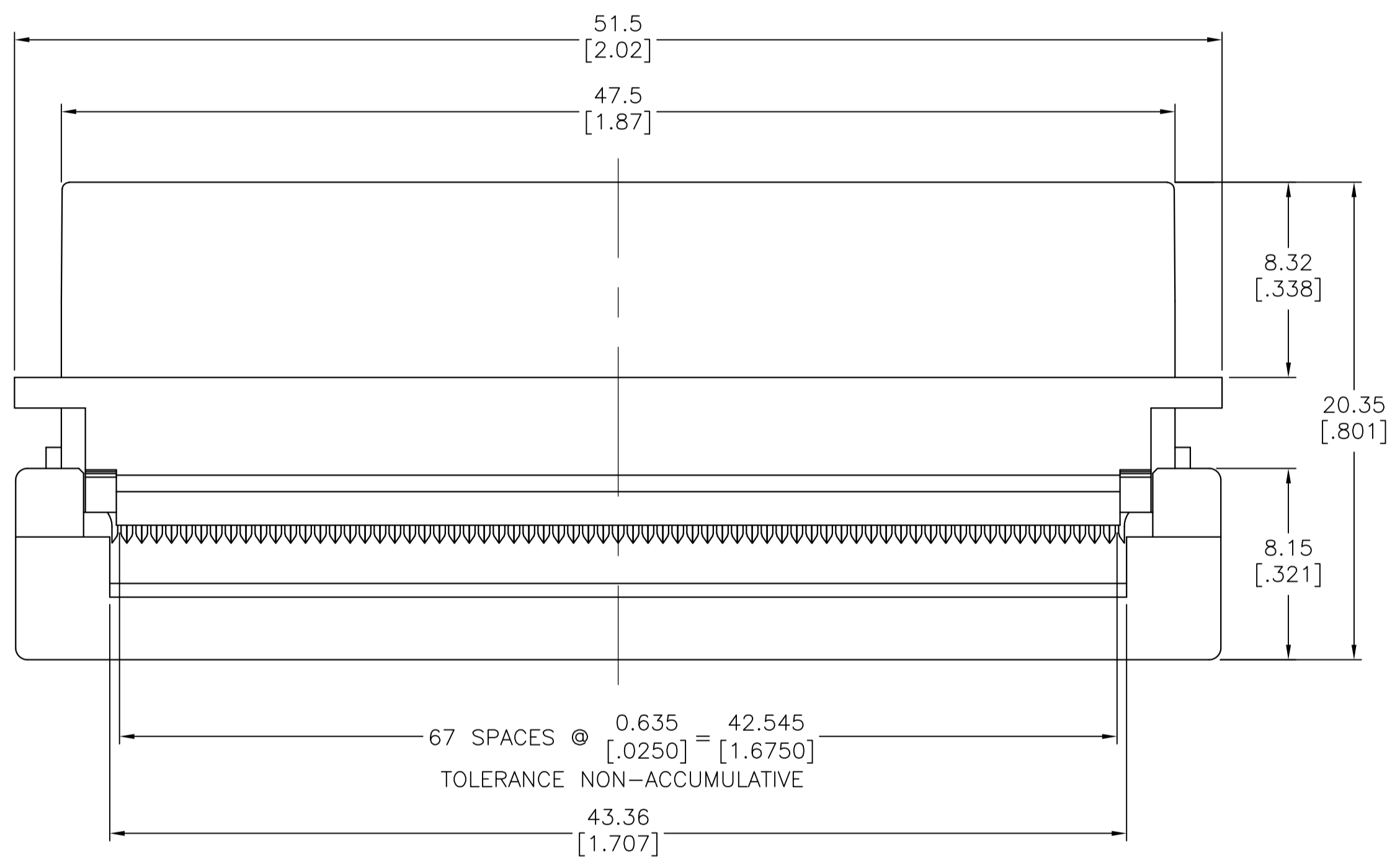
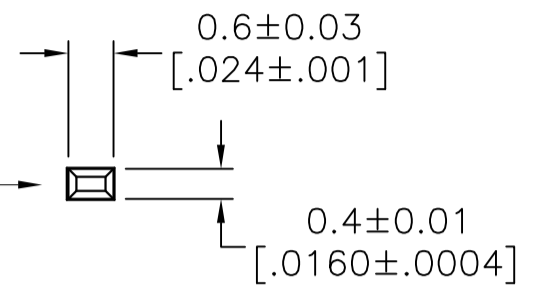
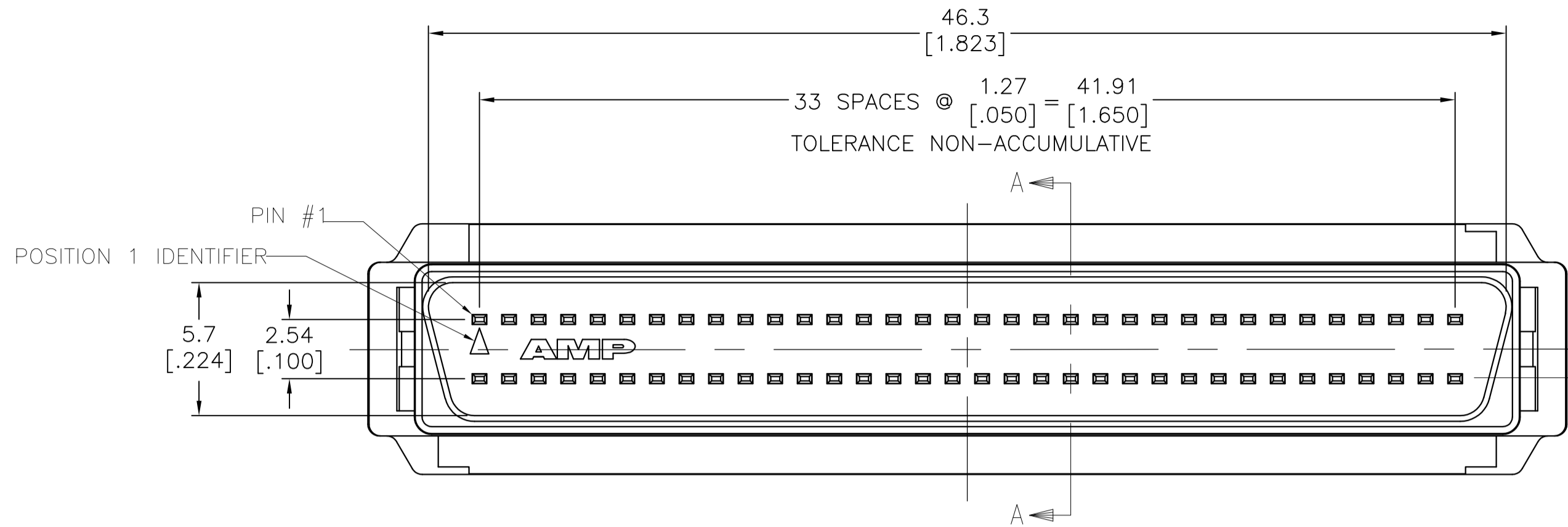
Packaging Features:

- Packaging Method = Tube

Other:

- Brand = AMP

LOC		DIST		REVISIONS			
GP	00	REV	DATE	BY	CHK	APPV	
B1		REVISED PER ECO-11-004835	11MAR11	RK	HMR		



- △ HOUSING & COVER: PBT 30% GLASS FILLED, UL 94V-0 RATED, COLOR BLACK. CONTACTS: PHOSPHOR BRONZE.
- △ CONTACTS: 0.00076[.000030] MIN GOLD ON MATING END, 0.00127[.000050] MIN TIN ON TERMINATION END, ALL OVER 0.00127[.000050] MIN NICKEL ON ENTIRE CONTACT.
- △ CONTACTS: 0.00038[.000015] MIN GOLD ON MATING END, 0.00127[.000050] MIN TIN ON TERMINATION END, ALL OVER 0.00127[.000050] MIN NICKEL ON ENTIRE CONTACT.
- 4. RECOMMENDED WIRE: 30 AWG OR 31 AWG, SOLID OR STRANDED, FLAT RIBBON CABLE, PVC INSULATION.
- 5. DIMENSIONS SHOWN ARE FOR 68 POSITION ASSEMBLY.

OBSOLETE	TUBE	△	68	1-5786090-7
	TUBE	△	68	5786090-7
	PACKAGING	CONTACT FINISH	NO OF POS	PART NUMBER

THIS DRAWING IS A CONTROLLED DOCUMENT.		DIN L. VARELA - DOCKS 02-18-05		S. BOLASH 02-18-05		M. WALMSLEY 02-18-05		NAME		TE Connectivity	
DIMENSIONS: mm [INCHES]		TOLERANCES UNLESS OTHERWISE SPECIFIED:		PRODUCT SPEC		APPLICATION SPEC		SIZE		RESTRICTED TO	
0. PLC ± -		1. PLC ± 0.35[014]		108-1359		114-40049		A1		5786090	
1. PLC ± 0.25[010]		2. PLC ± 0.15[006]		114-40049		114-40049		A1		5786090	
2. PLC ± 0.25[010]		3. PLC ± 0.15[006]		114-40049		114-40049		A1		5786090	
3. PLC ± 0.15[006]		4. PLC ± -		114-40049		114-40049		A1		5786090	
4. PLC ± -		ANGLES ± -		114-40049		114-40049		A1		5786090	
MATERIAL		FINISH		WEIGHT		SCALE		SHEET		REV	
SEE TABLE		SEE TABLE		-		1:1		1 OF 1		B1	