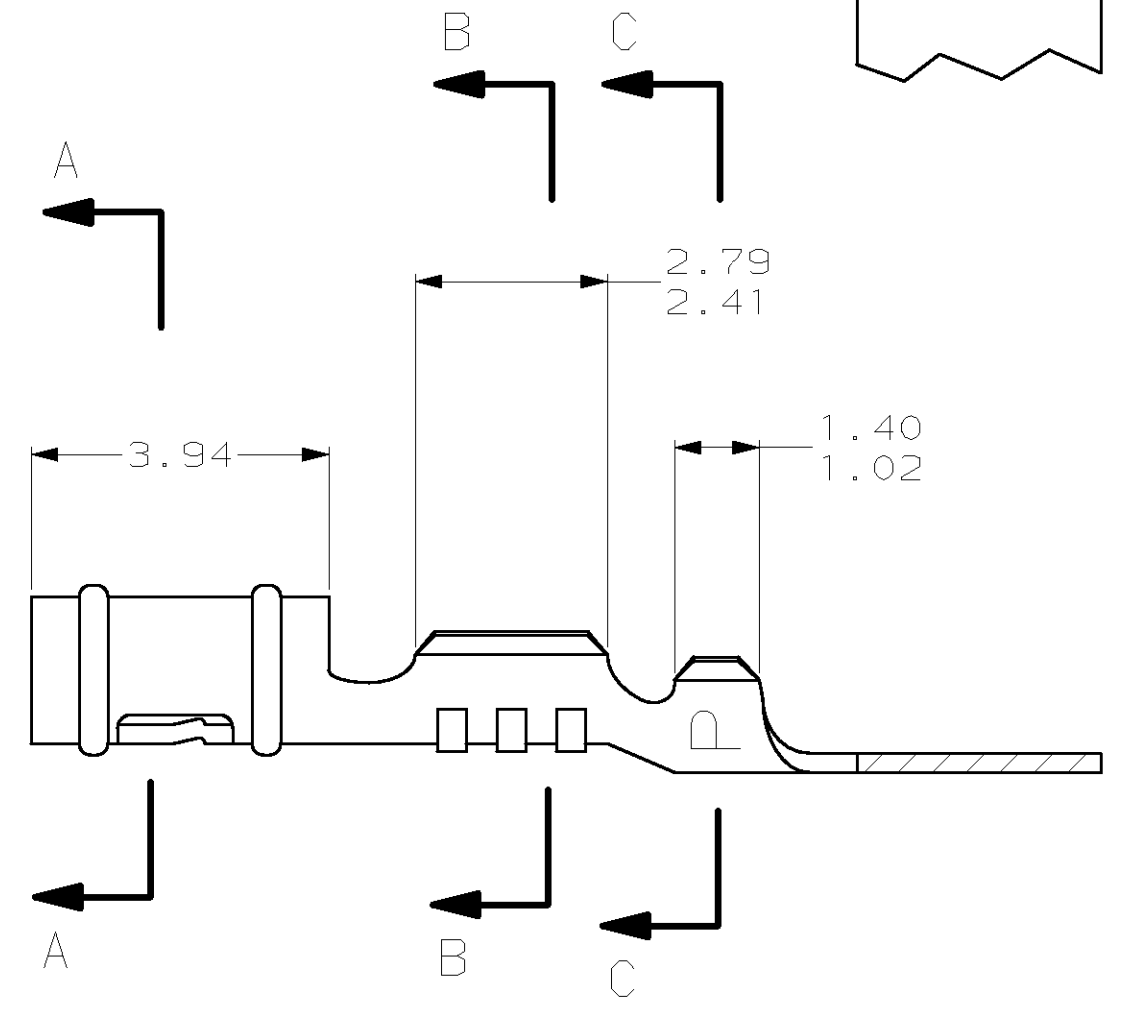
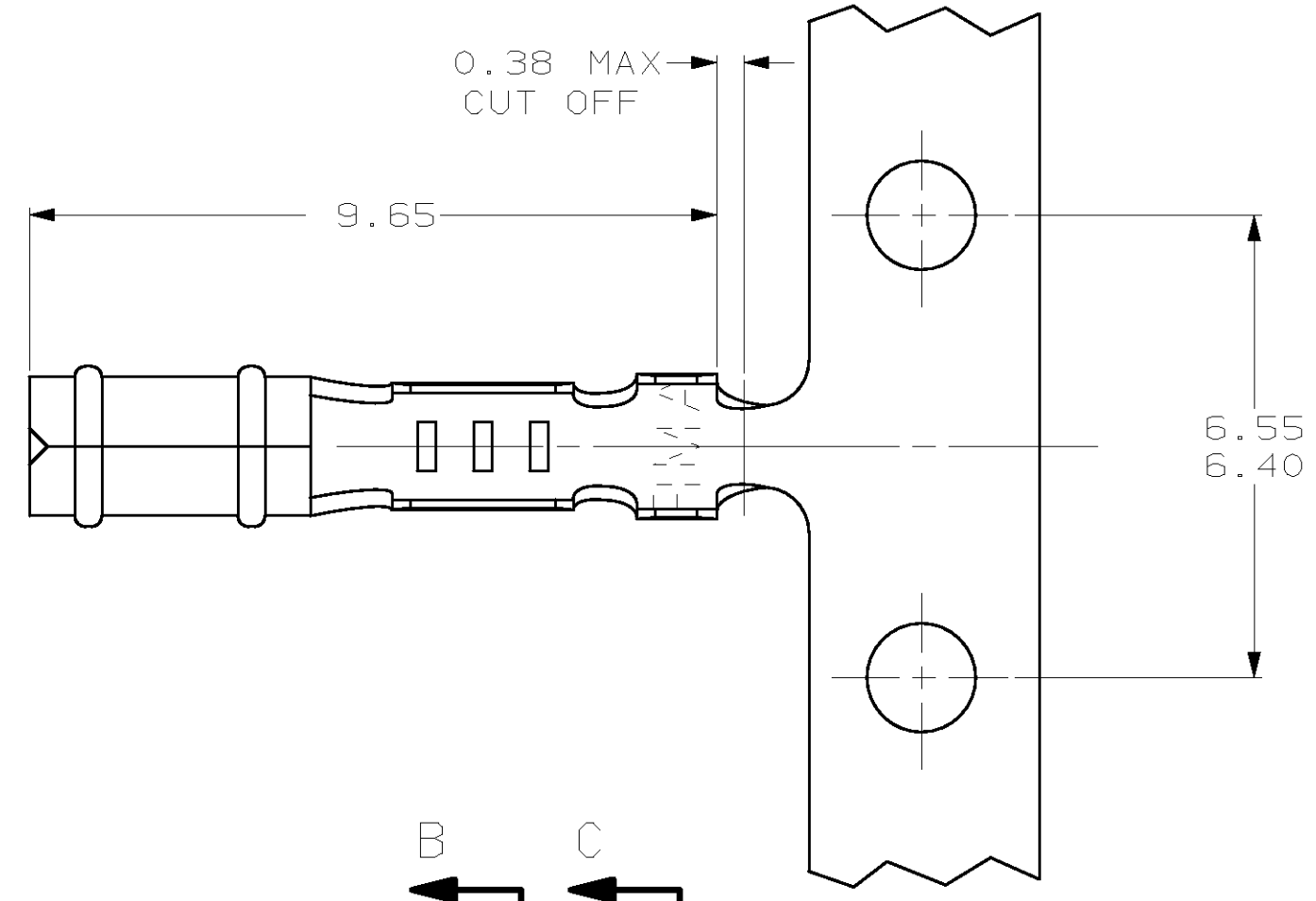


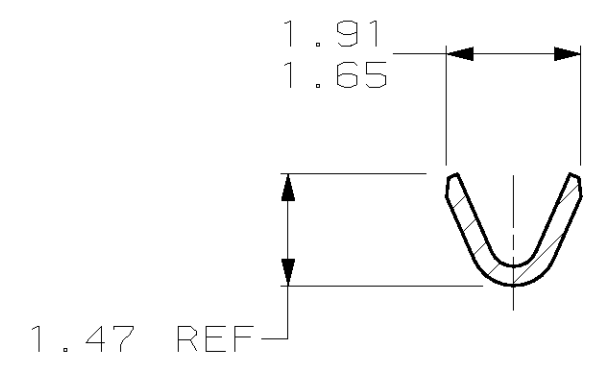
THIS DRAWING IS UNPUBLISHED. RELEASED FOR PUBLICATION
 (C) COPYRIGHT 19 BY AMP INCORPORATED. ALL RIGHTS RESERVED.

LOC	DIST	REVISIONS			
P	LTR	DESCRIPTION	DATE	DWN	APVD
CM	52	AG	REV & REDWN PER EC 0L30-0164-97	4-29-97	TB RS

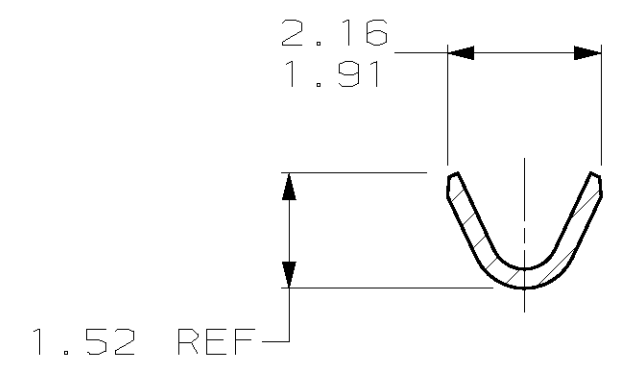
1. WIRE RANGE: 0.08 - 0.15 MM² (28 - 26 AWG)
2. INSULATION RANGE: 0.89 - 1.14
- 3 REVERSED REELED.



SECTION A-A



SECTION B-B



SECTION C-C

PRE-TIN	0.25 PH BRZ	60354-7
PRE-TIN	0.25 PH BRZ	60354-2
FINISH	MATERIAL	PART NUMBER

1.14	.045	1.65	.065	6.40	.252	-	-
1.02	.040	1.52	.060	3.94	.155	-	-
0.89	.035	1.486	.0585	2.79	.110	-	-
0.38	.015	1.47	.058	2.41	.095	-	-
0.25	.010	1.40	.055	2.16	.085	9.65	.380
0.13	.005	1.359	.0535	1.91	.075	6.55	.258
MM	IN	MM	IN	MM	IN	MM	IN

CONVERSION TABLE

METRIC

THIS DRAWING IS A CONTROLLED DOCUMENT.

DIMENSIONS: mm	TOLERANCES UNLESS OTHERWISE SPECIFIED:	DWN T. BECK 4-29-97	AMP Incorporated Harrisburg, PA 17105-3608
	0 PLC ±-	CHK R. SWING 4-29-97	
	1 PLC ±-	APVD A. BEDDICK 8-22-97	
	2 PLC ±0.13	NAME RECEPTACLE, .058 DIAMETER, 28-26 AWG, .035-.045 INSULATION, P.C. CONTACT	
3 PLC ±-	PRODUCT SPEC 108-1025	SIZE CAGE CODE DRAWING NO	RESTRICTED TO
4 PLC ±-	APPLICATION SPEC 114-1008	SCALE 10:1	SHEET 1 OF 1
MATERIAL SEE TABLE	FINISH SEE TABLE	WEIGHT -	REV AG

CUSTOMER DRAWING